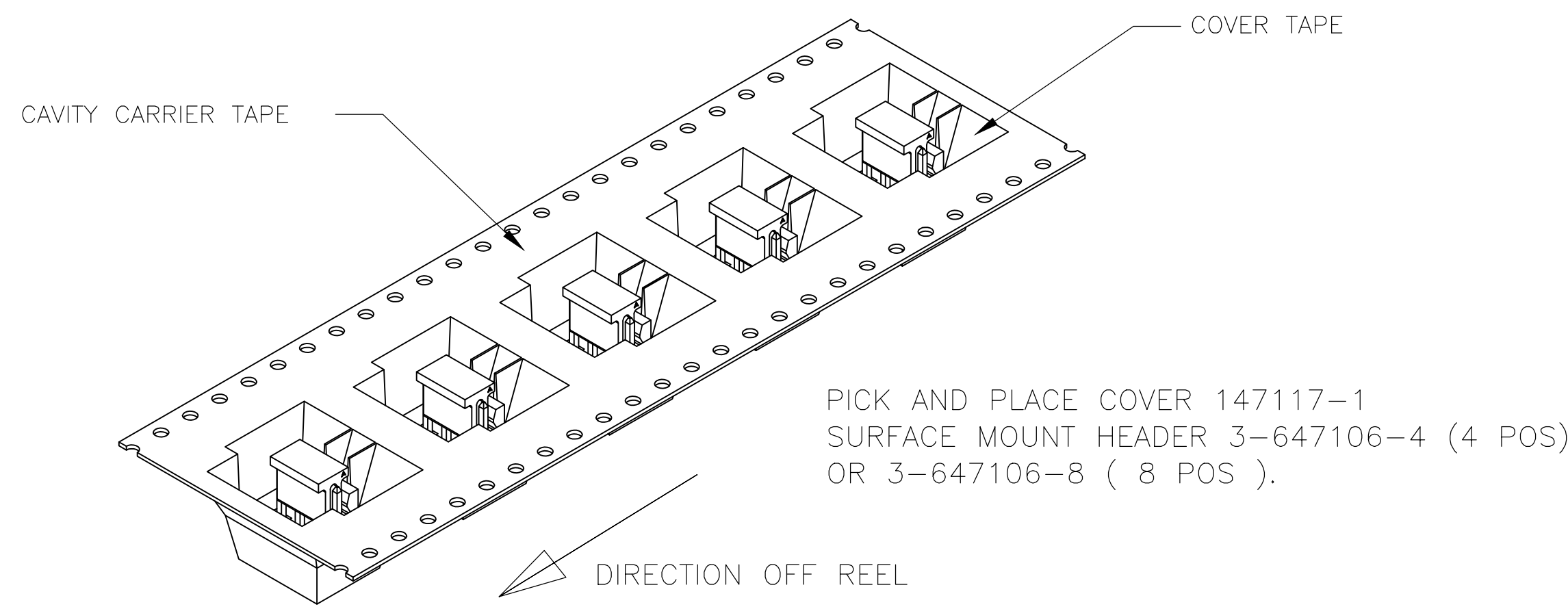
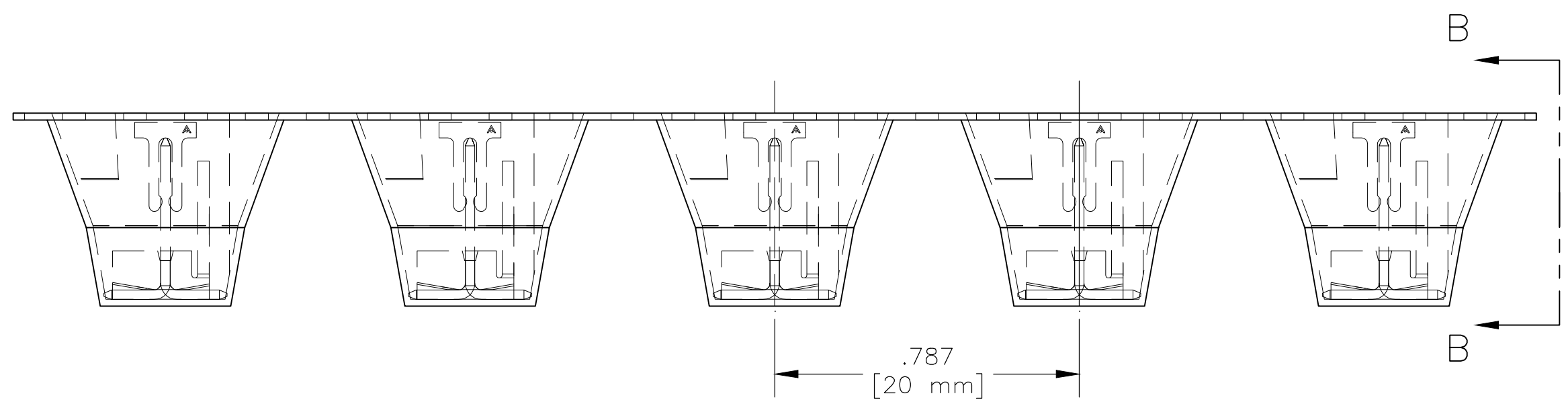
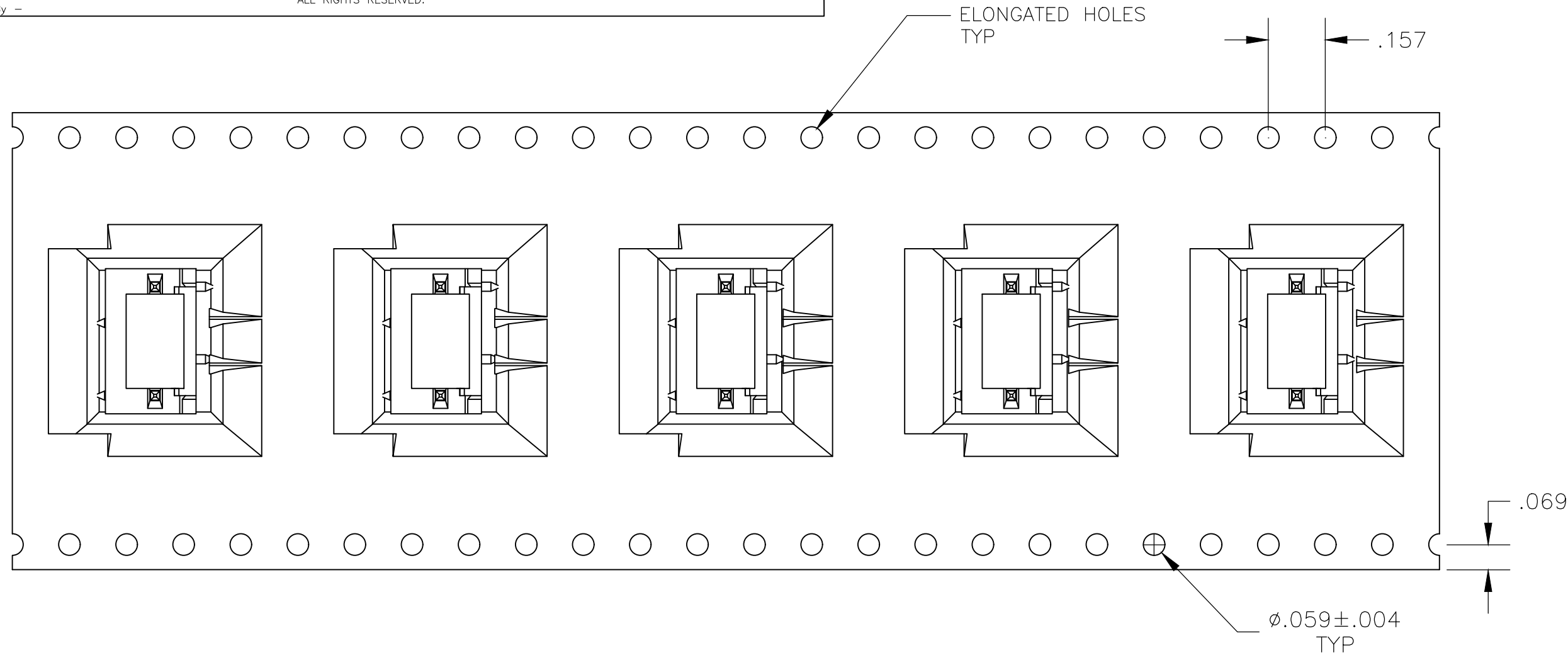
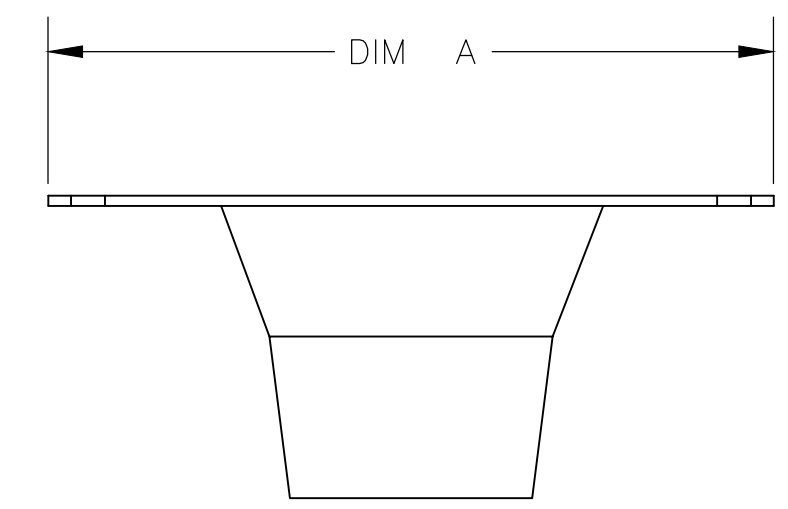


THIS DRAWING IS UNPUBLISHED. RELEASED FOR PUBLICATION
 © COPYRIGHT - By - ALL RIGHTS RESERVED.

REVISIONS				
P	LTR	DESCRIPTION	DATE	APVD
	L1	REVISED PER ECR-18-004355	19JUN2018	BDA SG



- 1 MATERIAL:
HOUSING- NYLON, UL94V-0, BLACK
CONTACT- COPPER ALLOY
CAVITY CARRIER TAPE- BLACK CONDUCTIVE PLOYCARBONATE
- 2 FINISH:
CONTACT - TIN PLATE
- 3 POST TO WITHSTAND 13 NEWTONS [3 LBS] MIN AXIAL FORCE IN THIS DIRECTION WITHOUT DISLODGING, BEFORE SOLDERING.
- 4 POSTS SOLDERTAILS MUST COMPLY WITH TE SOLDERABILITY SPEC 109-11-2.
- 5 MEASURED AT [-A-]
- 6 APPLIES WHEN HEADER IS HELD STRAIGHT
- 7 COORDINATE DIM APPLIES FROM CENTER OF ACTUAL FEATURE.
- 8 DIMENSION APPLY TO THE COMPONENT SIDE OF BOARD
- 9 MAX TEMP EXPOSURE DURING REFLOW SOLDERING MAY NOT EXCEED 280°C [536°F].
- 10 HEADERS ARE SUPPLIED ON A 330.2mm [13] DIAMETER REEL WITH 225 PARTS PER REEL. THE CAVITY CARRIER TAPE HOLDS 1 PART PER POCKET, ORIENTED AS SHOWN.
- 11 TE LOGO, UL AND CSA TRADEMARKS MARKED AT THIS LOACTION



VIEW B-B

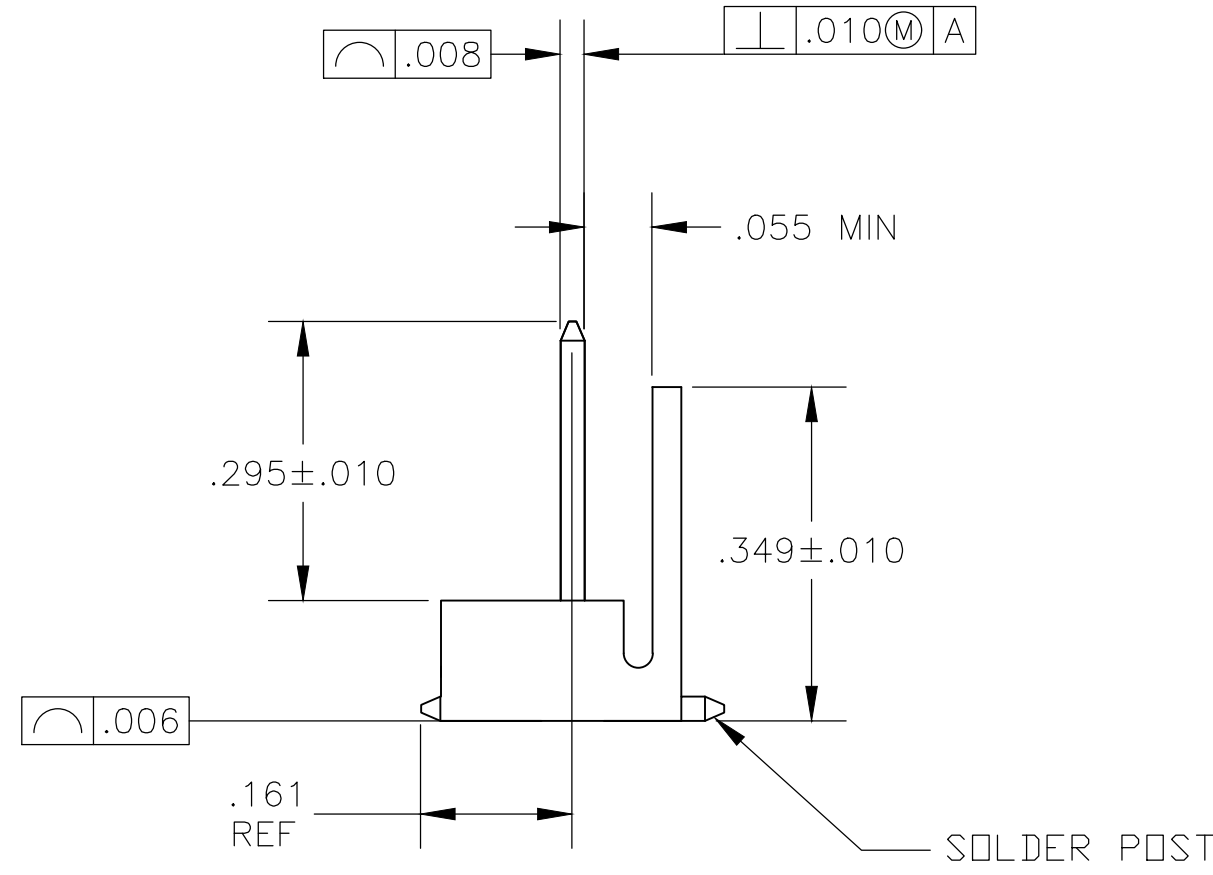
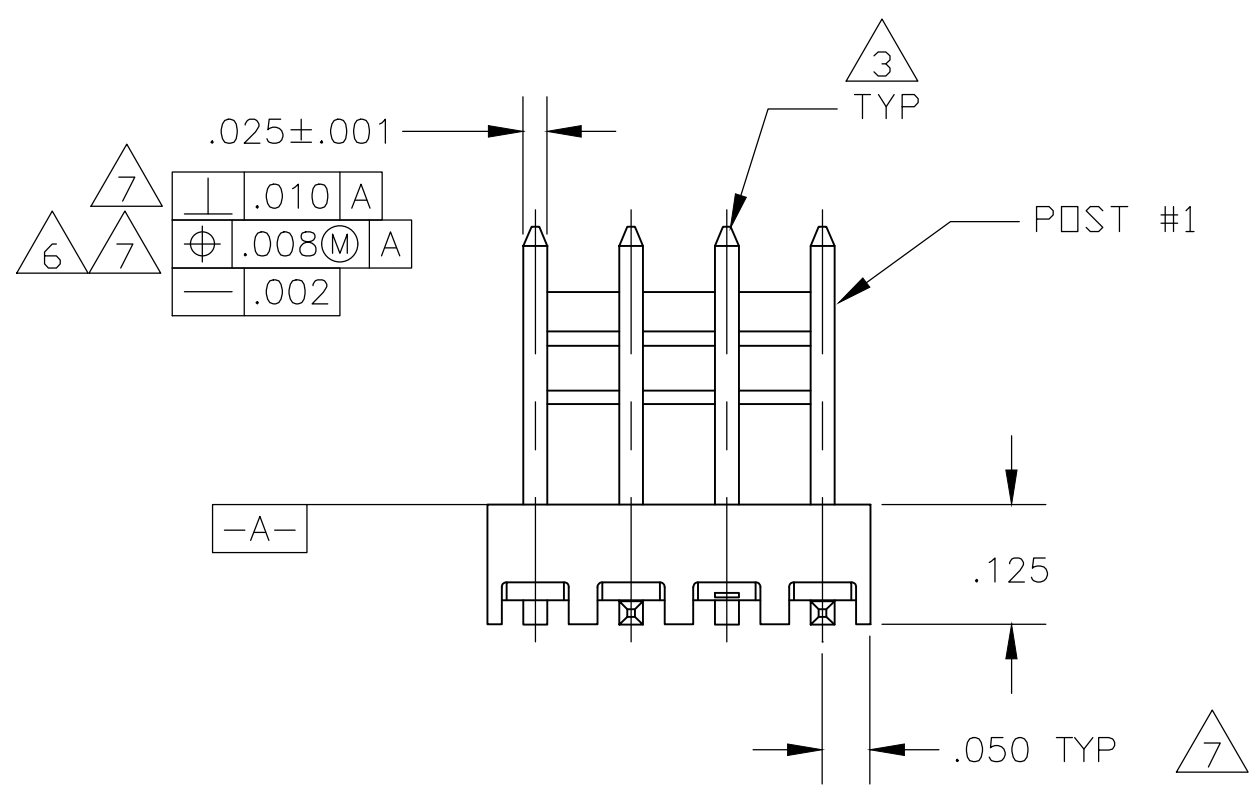
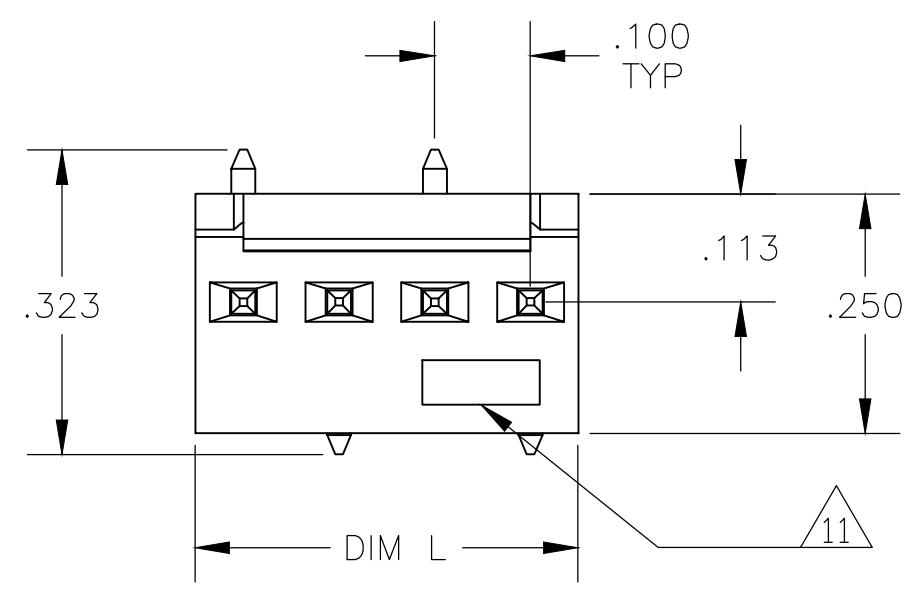
1.26 [32MM]	1 REQ'D	1 REQ'D	8	1744394-8
1.26 [32MM]	1 REQ'D	1 REQ'D	4	1744394-4
1.26 [32MM]	1 REQ'D	1 REQ'D	3	1744394-3
1.26 [32MM]	1 REQ'D	1 REQ'D	2	1744394-2
DIM A	PICK AND PLACE COVER	HEADER ASSEMBLY	NO. OF POSITIONS	PART NO

THIS DRAWING IS A CONTROLLED DOCUMENT.

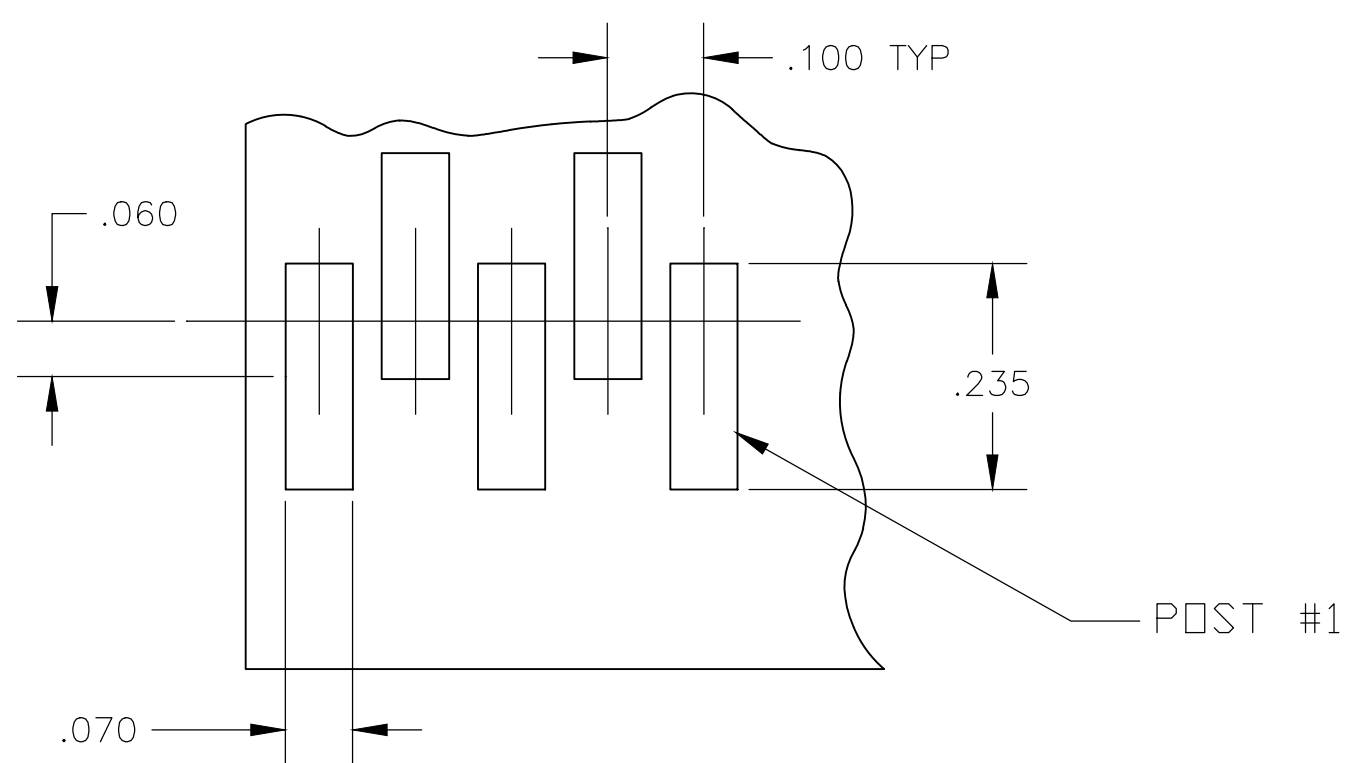
DIMENSIONS: INCHES	TOLERANCES UNLESS OTHERWISE SPECIFIED:	DWN jr ruth 09MAR11	
	0 PLC ± -	CHK SAM MACE 09MAR11	
	1 PLC ± -	APVD SAM MACE 09MAR11	
	2 PLC ± -	PRODUCT SPEC	
	3 PLC ± .015	APPLICATION SPEC	
MATERIAL	FINISH	WEIGHT	MTA-100 HDR ASSY, SURFACE MNT, POLARIZED, .025 SQ. POST, TIN PLTD TAPE LDD W/CAP
		CUSTOMER DRAWING	SIZE A2 CAGE CODE 00779 DRAWING NO. C=1744394 RESTRICTED TO - SCALE 3:1 SHEET 1 OF 3 REV L1

THIS DRAWING IS UNPUBLISHED. RELEASED FOR PUBLICATION
 © COPYRIGHT - M ALL RIGHTS RESERVED.

REVISIONS				
P	LTR	DESCRIPTION	DATE	APVD
-	-	SEE SHEET 1	-	-



MTA-100 HEADER SHOWN



RECOMMENDED P.C. BOARD LAYOUT FOR USE WITH .010 THICK STENCIL

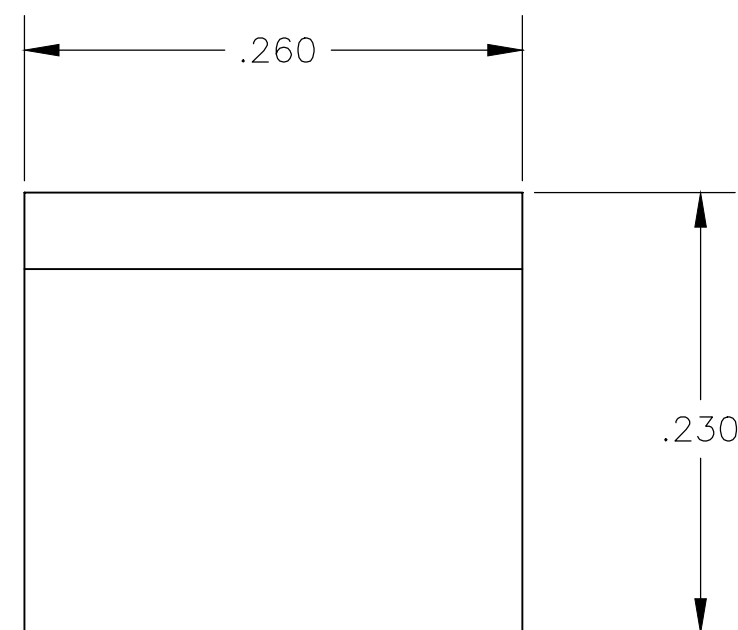
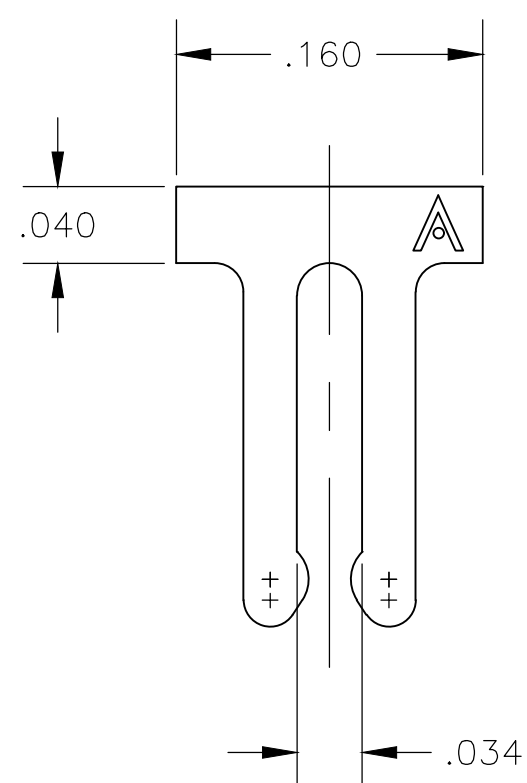
.800	8.	1744394-8
.400	4.	1744394-4
.300	3.	1744394-3
.200	2.	1744394-2
DIM L	NO. OF POS.	PART NO.

THIS DRAWING IS A CONTROLLED DOCUMENT.		DWN	jr_ruth	09MAR11
DIMENSIONS: INCHES		CHK	SAM MACE	09MAR11
TOLERANCES UNLESS OTHERWISE SPECIFIED:		APVD	SAM MACE	09MAR11
0 PLC	± -	PRODUCT SPEC	NAME	
1 PLC	± -	APPLICATION SPEC	MTA-100 HDR ASSY,SURFACE MNT,POLARIZED, .025 SQ. POST, TIN PLTD, TAPE LDD W/CAP	
2 PLC	± -	WEIGHT	SIZE	CAGE CODE
3 PLC	± .015	SCALE	A2	00779
4 PLC	± -	CUSTOMER DRAWING	SCALE	5:1
ANGLES	± 1°	RESTRICTED TO	SHEET	2 of 3
FINISH	-	REV	L1	

1744394

THIS DRAWING IS UNPUBLISHED. RELEASED FOR PUBLICATION
 © COPYRIGHT - By - ALL RIGHTS RESERVED.

REVISIONS				
P	LTR	DESCRIPTION	DATE	APVD
-	-	SEE SHEET 1	-	-



CAP FOR HEADER

1744394

THIS DRAWING IS A CONTROLLED DOCUMENT.		DWN jr ruth 09MAR11	TE Connectivity	
DIMENSIONS: INCHES		CHK SAM MACE 09MAR11		
		APVD SAM MACE 09MAR11	NAME MTA-100 HEADER ASSY, SURFACE MOUNT, POLARIZED, .025 SQ. POST, TIN PLATED, TAPE LOADED W/CAP	
0 PLC ± - 1 PLC ± - 2 PLC ± - 3 PLC ± .015 4 PLC ± - ANGLES ± 1°		PRODUCT SPEC -	RESTRICTED TO -	
MATERIAL -		FINISH -	APPLICATION SPEC -	SCALE 10:1
		WEIGHT -	SIZE A2	CAGE CODE 00779
			DRAWING NO C-1744394	REV L1
		CUSTOMER DRAWING		SHEET 3 of 3