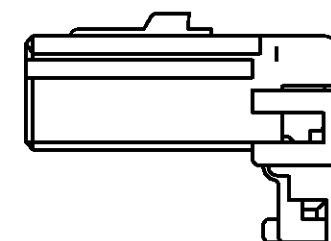
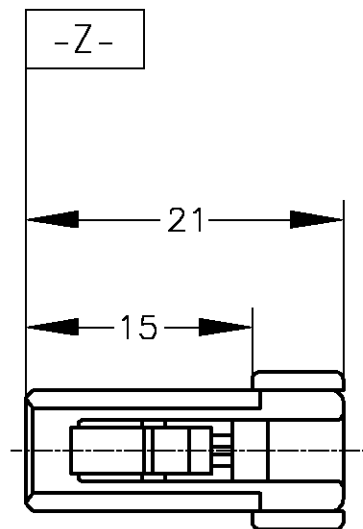
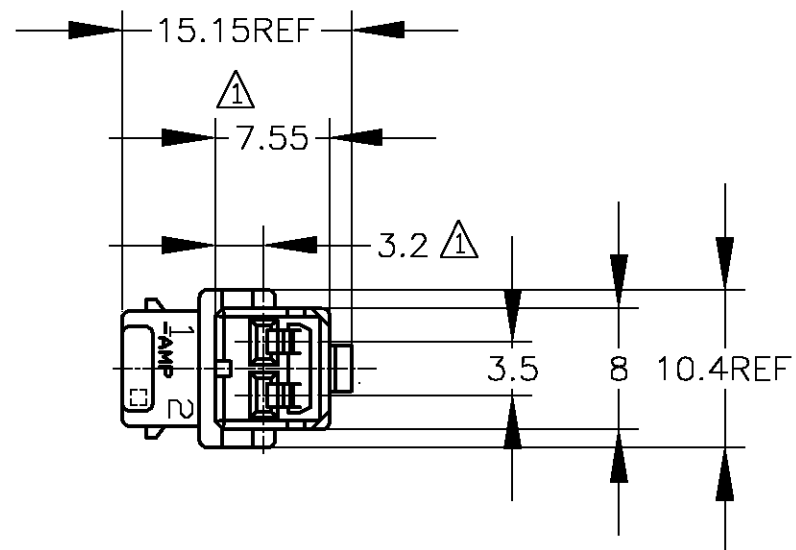


THIS DRAWING IS UNPUBLISHED. RELEASED FOR PUBLICATION
 © COPYRIGHT BY TYCO ELECTRONICS CORPORATION. ALL RIGHTS RESERVED.

LOC	DIST	REVISIONS					
J	—	P	LTR	DESCRIPTION	DATE	DWN	APVD
		F1		REVISED ECR-06-024643	25OCT06	MS	KB



△ MUST BE KEPT BETWEEN [A] AND 2
 2. APPLIED RECEPTACLE CONTACT PART NUMBER ; 173631
 3. APPLIED PLUG HOUSING PART NUMBER ; 174460

△ [Z] 面より 2mm の範囲で測定
 2. 内装するリセプタクルコンタクト型番 : 173631
 3. 嵌合相手ハウジング型番 : 174460

黄 (YELLOW)	174463-7
灰 (GRAY)	174463-6
青 (BLUE)	174463-5
黒 (BLACK)	174463-2
白 (WHITE)	174463-1
色 (COLOR)	型番 (PART NUMBER)

TOLERANCES UNLESS OTHERWISE SPECIFIED: 一般公差

10 _μ	: ±0.2
30 _μ	> 10 : ±0.25
100 _μ	> 30 : ±0.3
ANGLE	: ±3°

THIS DRAWING IS A CONTROLLED DOCUMENT.

DWN	M.SUGAWARA	25OCT06	tyco Electronics	Tyco Electronics AMP K.K.	
CHK	K.BETSUI	25OCT06		Kawasaki, Japan	
APVD	K.BETSUI	25OCT06	NAME	070 SERIES MULTI-LOCK CONNECTOR	
PRODUCT SPEC	製品規格	108-5264	番号	2 POSITION PLUG HOUSING	
APPLICATION SPEC	取付適用規格	—	SIZE	CAGE CODE	DRAWING NO
WEIGHT	—	—	A3	00779	C-174463
MATERIAL	PBT	FINISH	CUSTOMER DRAWING		
RESTRICTED TO			SCALE	SHEET	REV
—			尺度 2:1	1 OF 1	F1