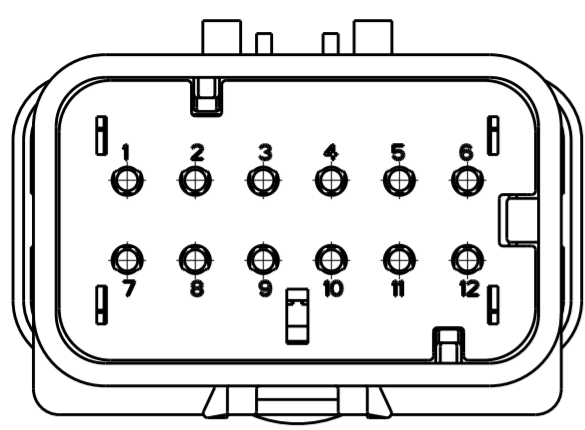
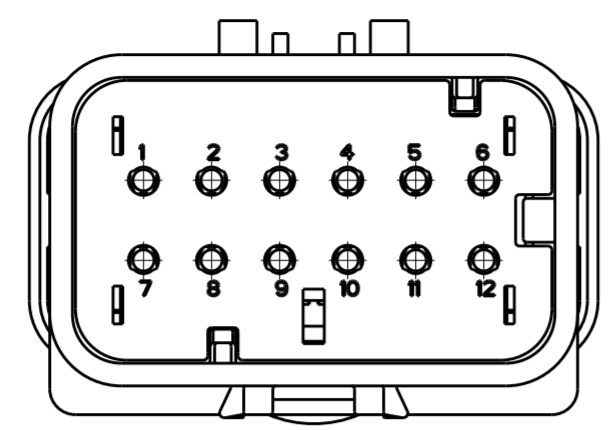


THIS DRAWING IS UNPUBLISHED
RELEASED FOR PUBLICATION
COPYRIGHT 20 BY - ALL RIGHTS RESERVED.

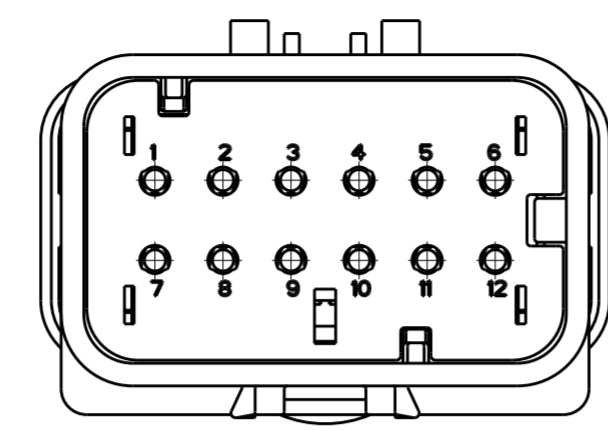
REVISIONS					
P	LTR	DESCRIPTION	DATE	DWN	APVD
A		INITIAL RELEASE PER D09-004	10MAR2009	DD	RB
B		REVISED PER ECO-13-019865	27DEC2013	DR	RB



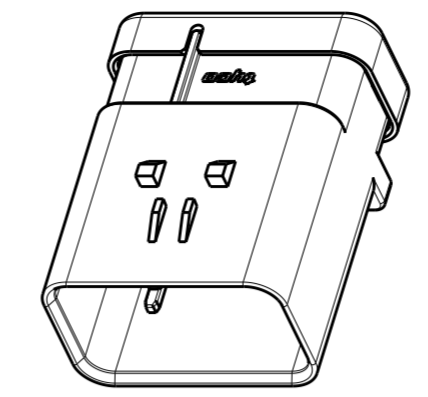
2035560-2
(KEY B)
SCALE 2:1



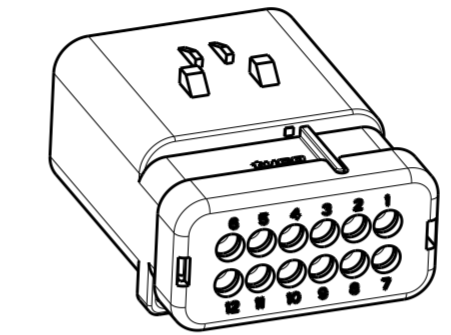
2035560-3
(KEY C)
SCALE 2:1



2035560-4
(KEY D)
SCALE 2:1

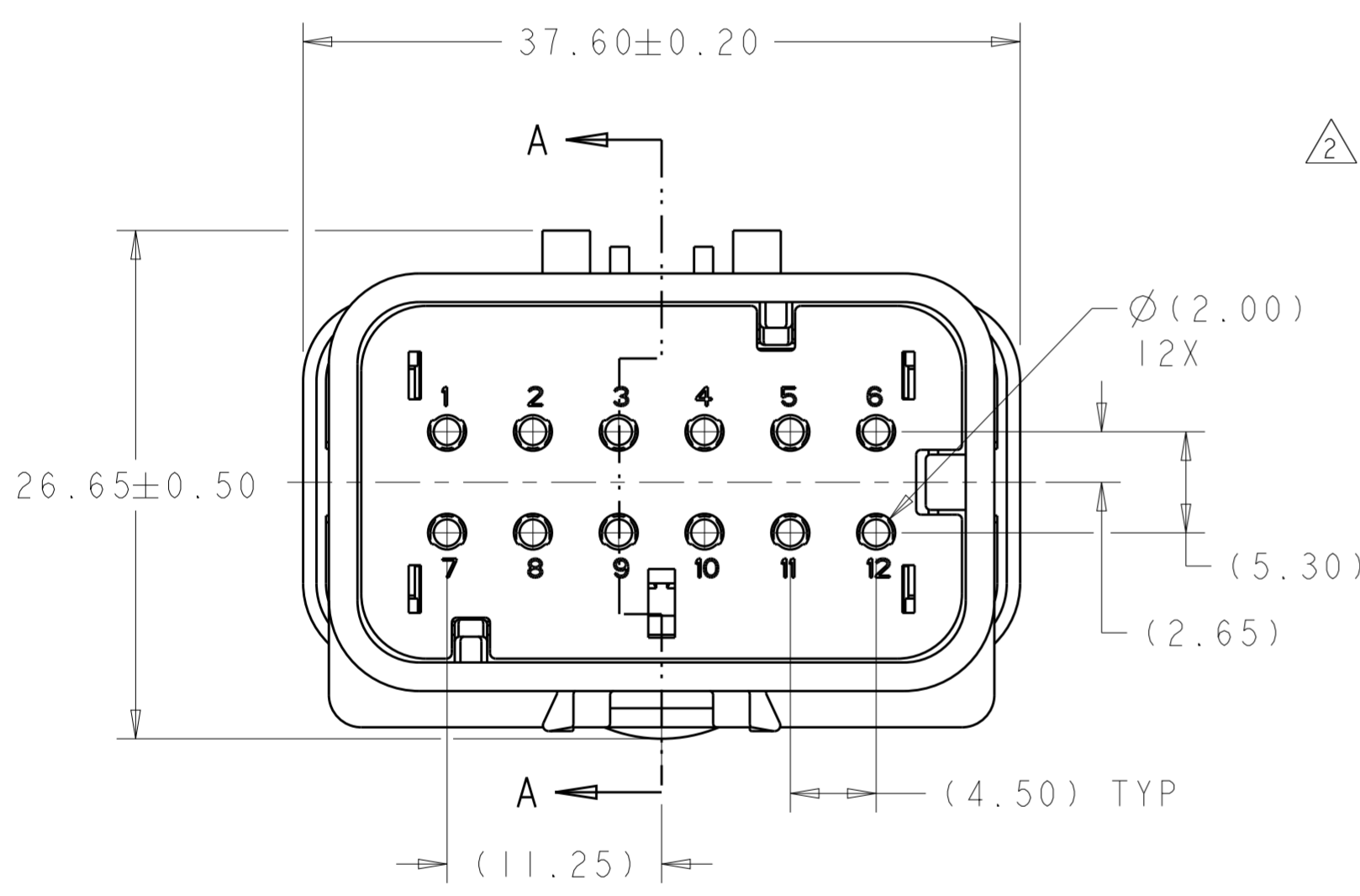


SCALE 1:1

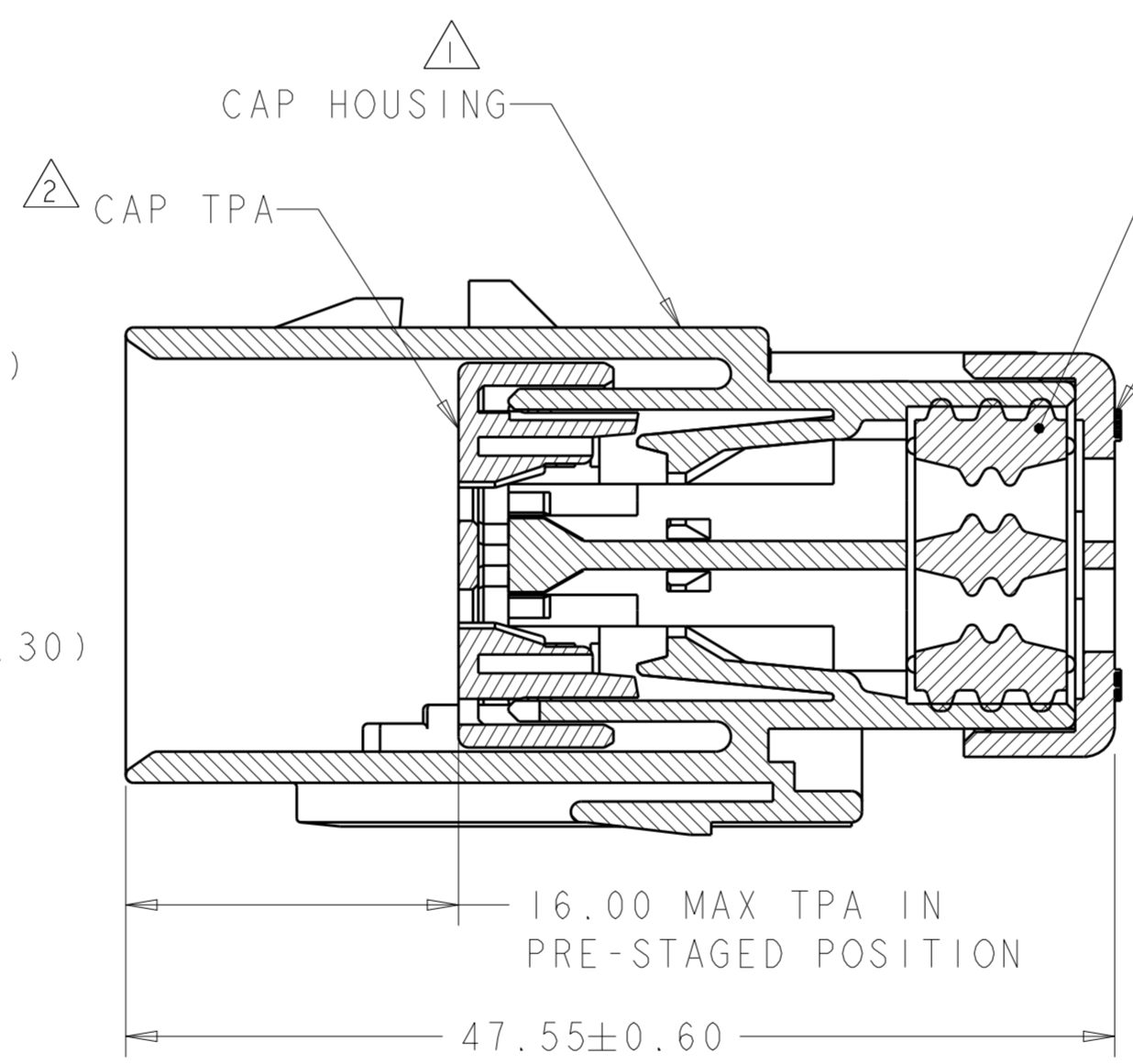


SCALE 1:1

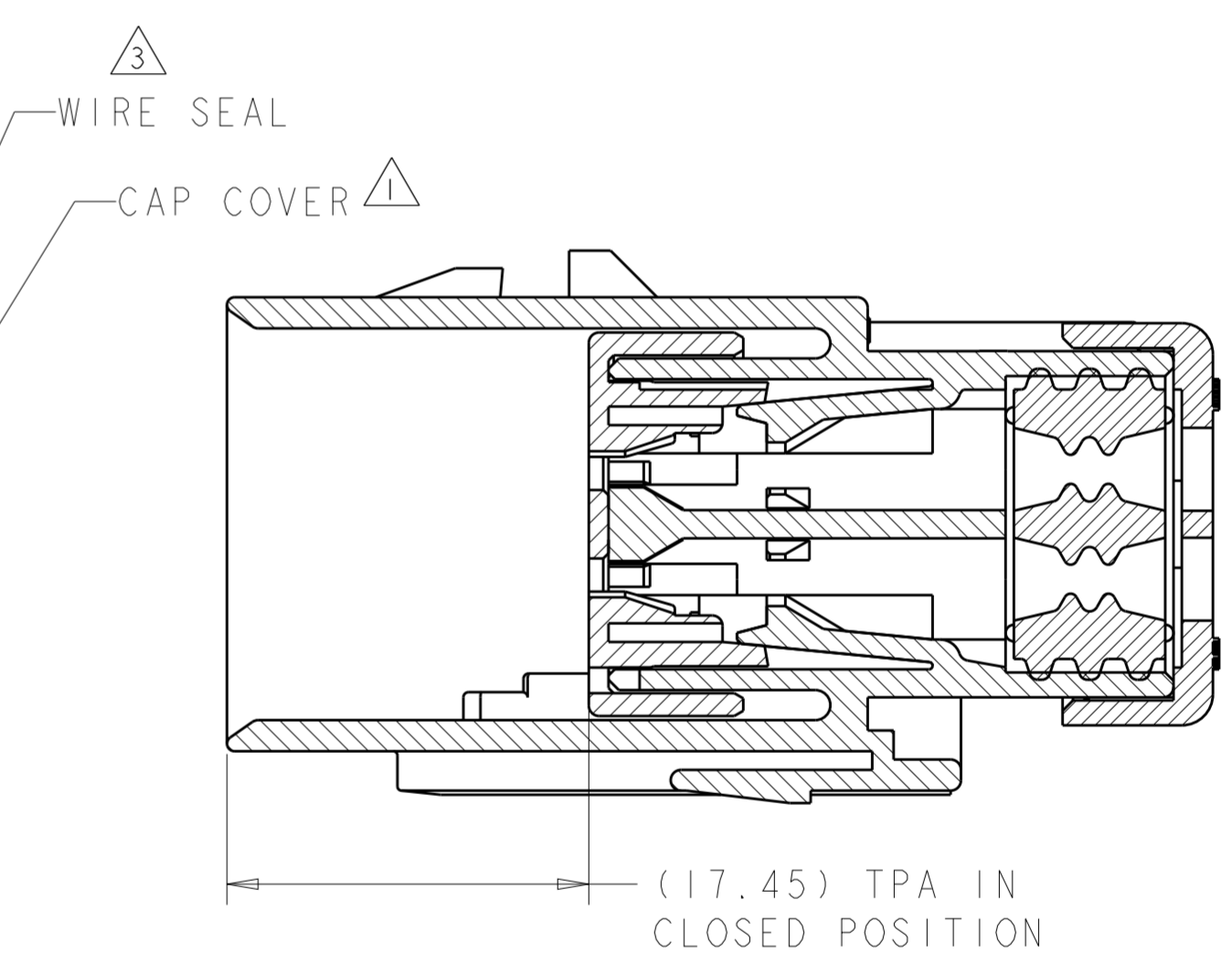
- 1 MATERIAL: 25% GLASS FILLED, NYLON 6/6, VO
COLOR: NATURAL (BROWN)
- 2 MATERIAL: 20% GLASS FILLED, PBT, VO
COLOR: (SEE TABLE)
- 3 MATERIAL: SILICONE
COLOR: GREEN
- 4. RECOMMENDED WIRE DIAMETER RANGE:
2.18 TO 3.67mm.



2035560-1 SHOWN
(KEY A)



SECTION A-A



SECTION A-A

TAN	D	2035560-4
BLUE	C	2035560-3
PURPLE	B	2035560-2
ORANGE	A	2035560-1
TPA COLOR	KEY	PART NUMBER

THIS DRAWING IS A CONTROLLED DOCUMENT.		DWN DI DRUMMOND 10FEB2009	STE TE Connectivity	
DIMENSIONS: mm		CHK R. BALTER 10FEB2009		
TOLERANCES UNLESS OTHERWISE SPECIFIED:		APVD R. BALTER 10FEB2009	NAME CAP ASSEMBLY, 12 POSITION, DUAL ROW, AMPSEAL 16, VO	
0 PLC ±	1 PLC ±	PRODUCT SPEC 108-2184	SIZE	RESTRICTED TO
2 PLC ±0.20	3 PLC ±	APPLICATION SPEC 114-13065	CAGE CODE	
4 PLC ±	ANGLES ±	WEIGHT 22.5±1g	DRAWING NO A200779	
FINISH -	FINISH -	CUSTOMER DRAWING	SCALE 2:1	SHEET 1 OF 1
			REV B	