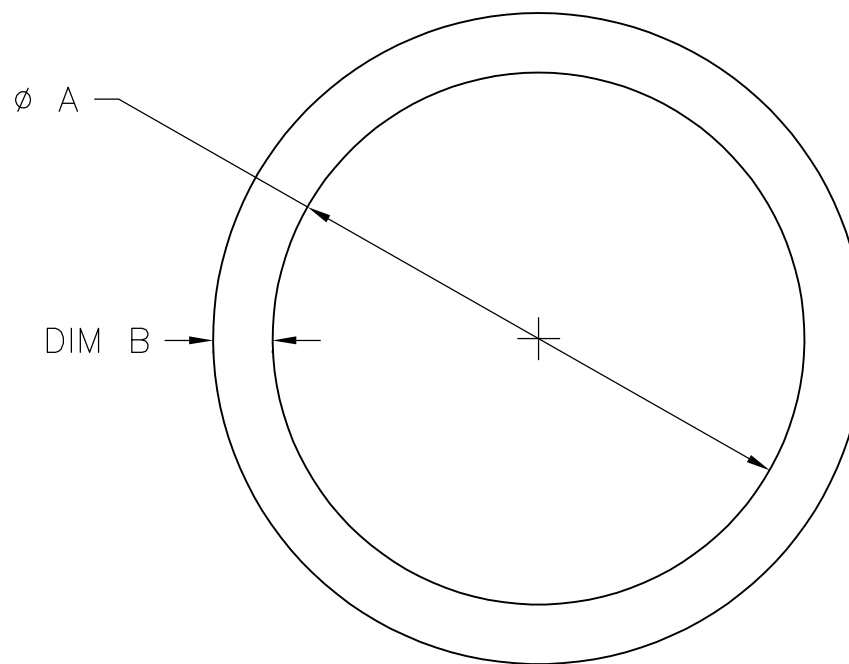



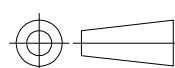
THIS DRAWING IS UNPUBLISHED. RELEASED FOR PUBLICATION  
 © COPYRIGHT - By - ALL RIGHTS RESERVED.

| LOC |     | DIST        |  | REVISIONS |     |      |  |
|-----|-----|-------------|--|-----------|-----|------|--|
| P   | LTR | DESCRIPTION |  | DATE      | DWN | APVD |  |
|     | A   | RELEASED    |  | 1-15-14   | CT  | WB   |  |



| PART NUMBER | MIL. SPECIFICATION         | "A" DIM.   | "B" DIM. |
|-------------|----------------------------|------------|----------|
| 208039-8    | FLUROSILICONE DUROMETER 60 | 1.378±.012 | .059     |
| 208039-9    | FLUROSILICONE DUROMETER 60 | 1.095±.010 | .059     |

1 MATERIAL: FLUROSILICONE PER MIL-R-25988, CLASS 1, GR 60, DUROMETER 60.

|  |  |                               |   |       |           |   |               |
|--|--|-------------------------------|---|-------|-----------|---|---------------|
| THIS DRAWING IS A CONTROLLED DOCUMENT.   |  | DWN<br>C.C.THOMAS<br>1-15-14  |  TE Connectivity |       |           |   |               |
| DIMENSIONS: INCHES<br>                |  | CHK<br>W.BERNHART<br>1-15-14  |   |       |           | NAME<br>O- RING FOR ARINC 600 TYPE CONNECTORS |               |
| TOLERANCES UNLESS OTHERWISE SPECIFIED:<br>0 PLC ± -<br>1 PLC ± -<br>2 PLC ± .02<br>3 PLC ± .005<br>4 PLC ± -<br>ANGLES ± - |  | APVD<br>W.BERNHART<br>1-15-14 | PRODUCT SPEC  |       |           |   |               |
| MATERIAL   |  | FINISH                        | APPLICATION SPEC  | SIZE  | CAGE CODE | DRAWING NO                                    | RESTRICTED TO |
| 1  |  | -                             | -   | A3    | 00779     | C-208039                                      | -             |
| CUSTOMER DRAWING   |  |                               |   | SCALE | SHEET     | REV   |               |
|  |  |                               |   | 3:1   | 1 OF 1    | A   |               |