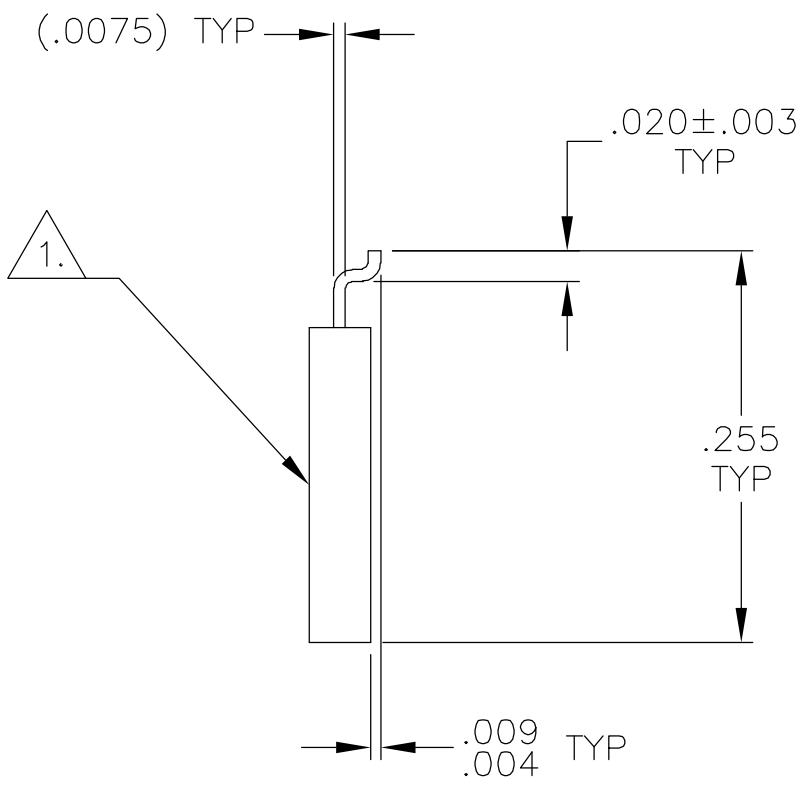
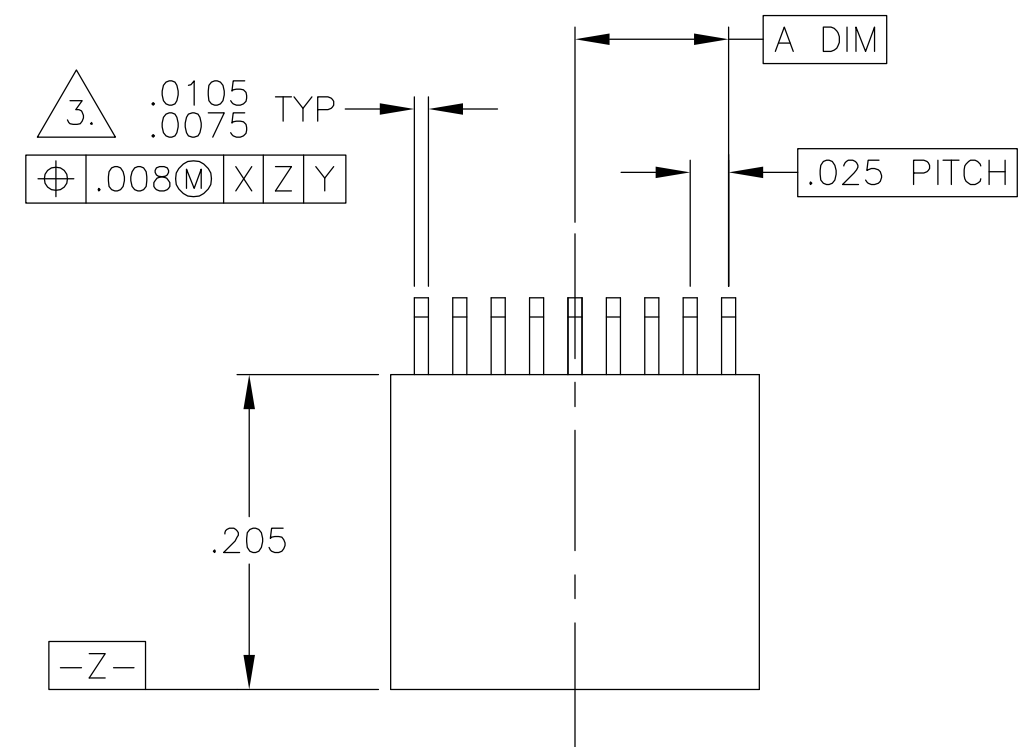


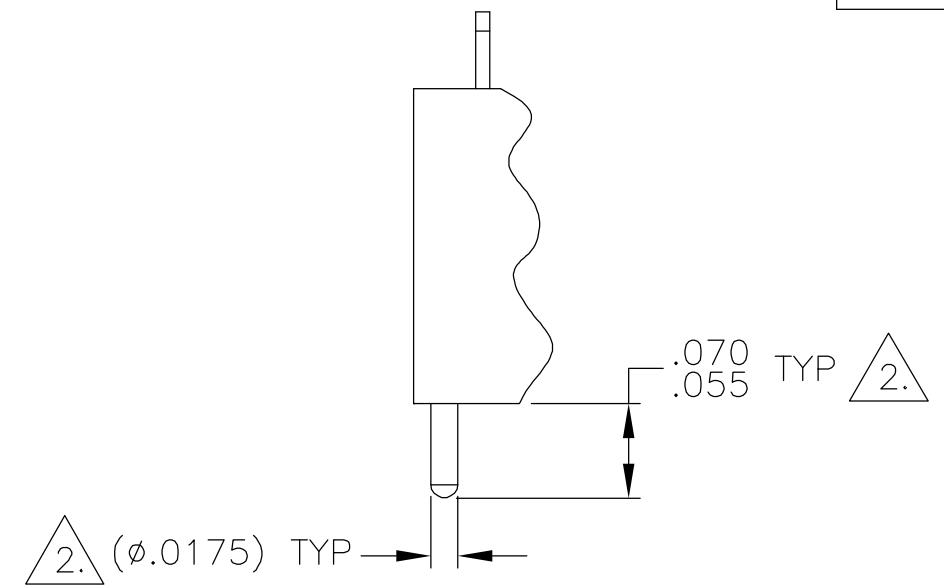
THIS DRAWING IS UNPUBLISHED. RELEASED FOR PUBLICATION
 © COPYRIGHT BY TYCO ELECTRONICS CORPORATION. ALL RIGHTS RESERVED.

LOC	DIST	REVISIONS					
DF	DO	P	LTR	DESCRIPTION	DATE	DWN	APVD
		R		UPDATE PER 0H2Y-0008-04	9 JAN 04	CAS	MKS

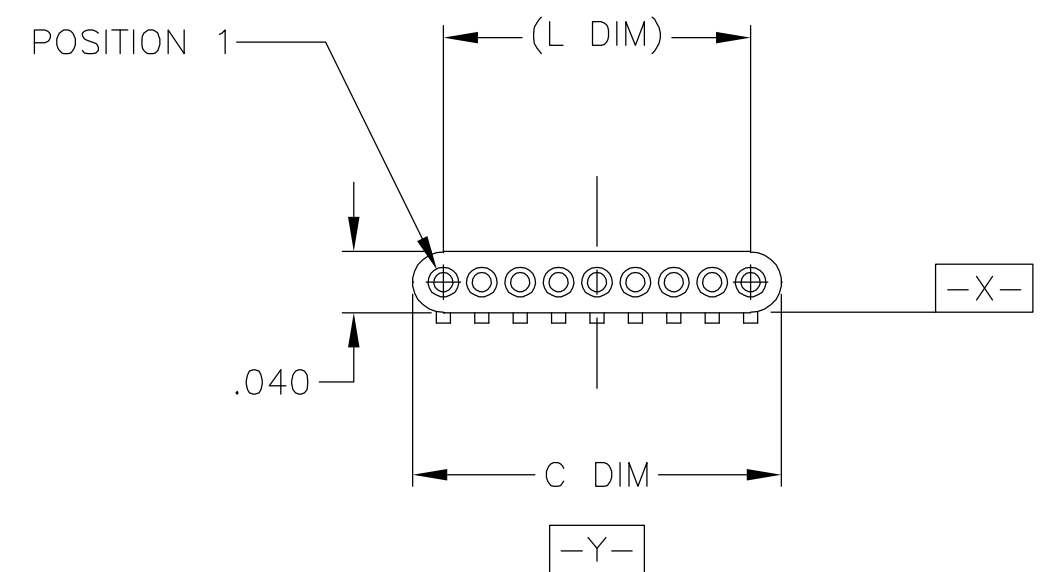
SIZE	A DIM	C DIM	(L DIM)
04	.0375	.115	(.075)
09	.100	.240	(.200)
15	.175	.390	(.350)



5.	25	.300	.640	(.600)
5.	37	.450	.940	(.900)
5.	51	.625	1.290	(1.250)



DETAIL A
 POSITION "T" SHOWN FOR REFERENCE



- T POSITION 1
- U POSITION 2
- V POSITION 3
- W POSITION 1, AND SECOND TO LAST POSITION
- Y POSITION 1, AND THIRD TO LAST POSITION
- Z POSITION 2, AND THIRD TO LAST POSITION

1. INSULATOR MATERIAL: LCP (LIQUID CRYSTAL POLYMER) PER ASTM D5138
2. OPTIONAL POLARIZATION GUIDE POST SHOWN FOR REFERENCE ONLY. IF GUIDE POST(S) ARE REQUIRED, THE LOCATION MUST BE SPECIFIED IN THE NANONICS PART NUMBER. GUIDE POST MATERIAL IS 303 STAINLESS STEEL, PASSIVATED PER SAE-AMS-QQ-P-35.
3. SMT LEADS ARE BeCu, TIN/LEAD PLATED 60/40 COMPOSITION PER SAE-AMS-P-81728
4. TERMINATION CODE: B2
5. WHEN ORDERING THESE SIZES, FIRST CONSULT TYCO ELECTRONICS/NANONICS FOR ADDITIONAL INFORMATION.
6. THIS DRAWING PREVIOUSLY IDENTIFIED AS NANONICS N10138/030

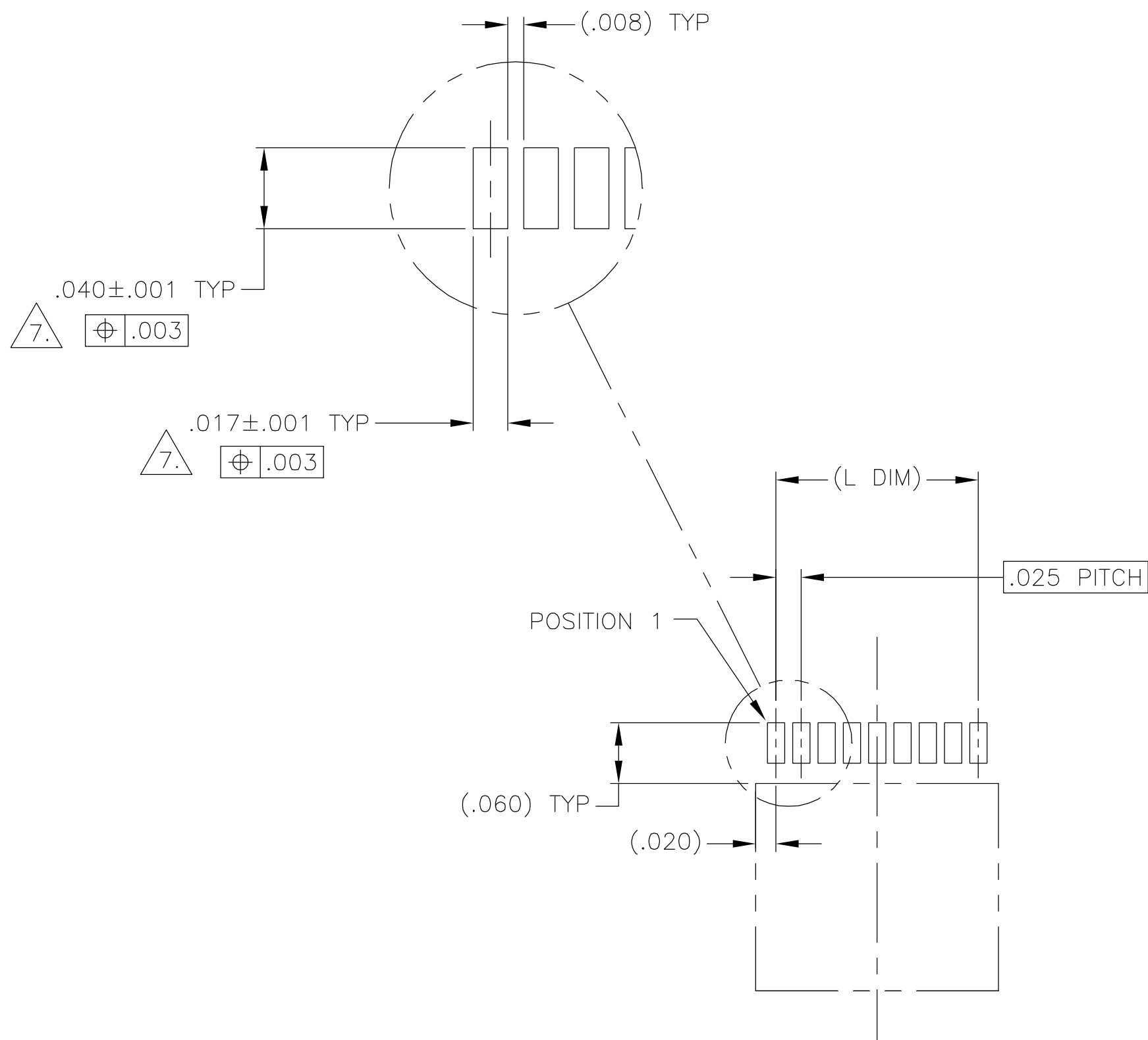
2. POLARIZING GUIDE POST "PGP" POSITIONS, SEE DETAIL A

THIS DRAWING IS A CONTROLLED DOCUMENT.		DWN D. RYAN 16 APR 92	 Tyco Electronics Corporation Harrisburg, PA 17105
DIMENSIONS: INCHES		CHK E. BURGER 16 FEB 93	
TOLERANCES UNLESS OTHERWISE SPECIFIED:		APVD M. STORRY 25 APR 01	NAME
0 PLC ± - 1 PLC ± - 2 PLC ± .010 3 PLC ± .005 4 PLC ± - ± 1		PRODUCT SPEC	PLUG ASSEMBLY, UNSHROUDED STRIP, HORIZONTAL SMT, PLASTIC
MATERIAL SEE NOTES		FINISH SEE NOTES	SIZE A2
		WEIGHT -	CAGE CODE 00779
		CUSTOMER DRAWING	DRAWING NO C=1589451
		SCALE 8:1	RESTRICTED TO -
		SHEET 1 OF 2	REV R

1589451

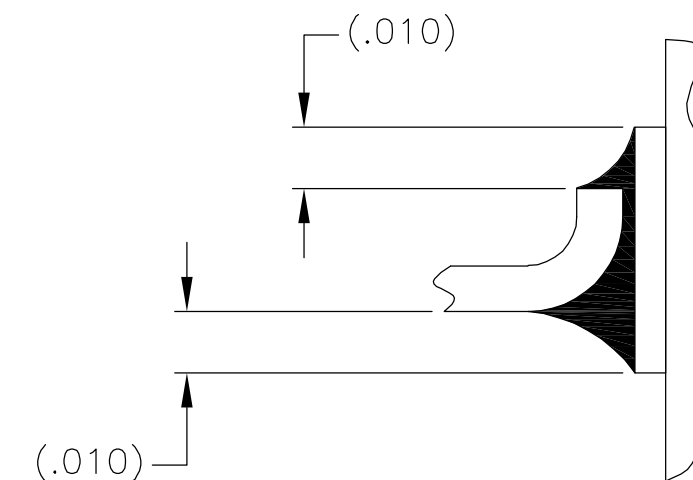
THIS DRAWING IS UNPUBLISHED. RELEASED FOR PUBLICATION
 © COPYRIGHT BY TYCO ELECTRONICS CORPORATION. ALL RIGHTS RESERVED.

LOC	DIST	REVISIONS					
DF	DO	P	LTR	DESCRIPTION	DATE	DWN	APVD
		R		UPDATE PER 0H2Y-0008-04	9 JAN 04	CAS	MKS

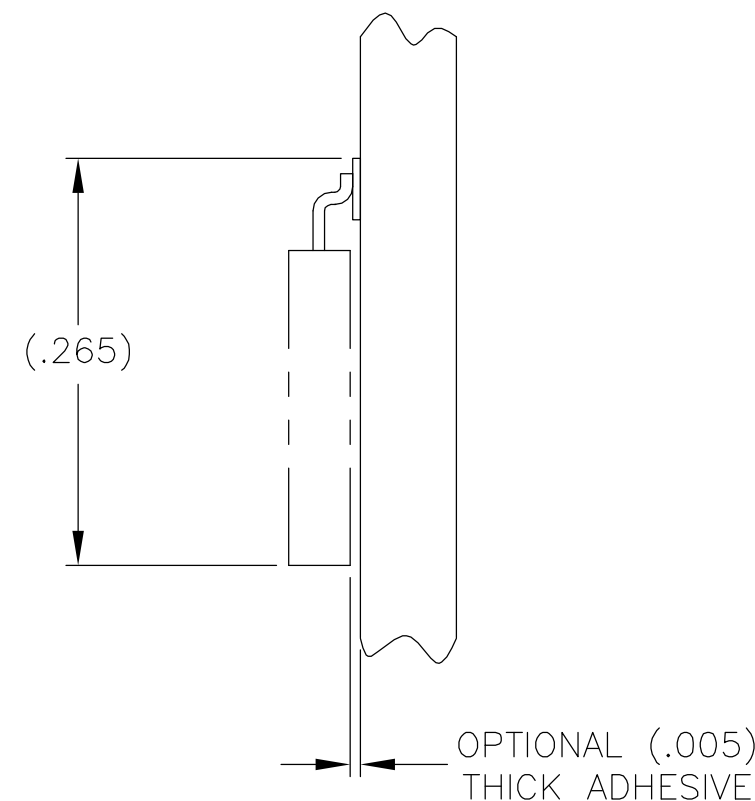


SIZE 09 SHOWN FOR REFERENCE

TYPICAL PCB LAYOUT



TYPICAL FOOT PLACEMENT ON SOLDER PAD



OPTIONAL (.005) THICK ADHESIVE

7. POSITIONAL TOLERANCES FOR BASIC DIMENSIONED FEATURES ARE RELATIVE TO FIDUCIALS OR SOME SIMILAR DATUM REFERENCE DEFINED BY THE PCB DESIGNER.

THIS DRAWING IS A CONTROLLED DOCUMENT.		DWN	-	tyco Electronics	Tyco Electronics Corporation Harrisburg, PA 17105	
DIMENSIONS: INCHES		CHK	-		NAME	
TOLERANCES UNLESS OTHERWISE SPECIFIED:		APVD	-	PRODUCT SPEC		
0 PLC ± -		APPLICATION SPEC	-	PLUG ASSEMBLY, UNSHROUDED STRIP, HORIZONTAL SMT, PLASTIC		
1 PLC ± -		WEIGHT	-	SIZE	CAGE CODE	DRAWING NO
2 PLC ± -		CUSTOMER DRAWING		A2	00779	C=1589451
3 PLC ± -		SCALE	8:1	SHEET	2	OF 2
4 PLC ± -		REV	R	RESTRICTED TO		
ANGLES ± -						
FINISH						