

D-SUB CONNECTOR

PHYSICAL PROPERTIES

Connectors:

HOUSING MATERIAL: Thermoplastic polyester.

FLAMMABILITY: UL94V-0

TERMINALS: Copper alloy, selective gold over nickel

SHELL MATERIAL: Bright tin plated, female screw locks installed

Terminal Block (2MA Series):

HOUSING MATERIAL: Thermoplastic polyester

FLAMMABILITY: UL94V-0

COLOR: Black

MAX. OPERATING TEMPERATURE: 120°C

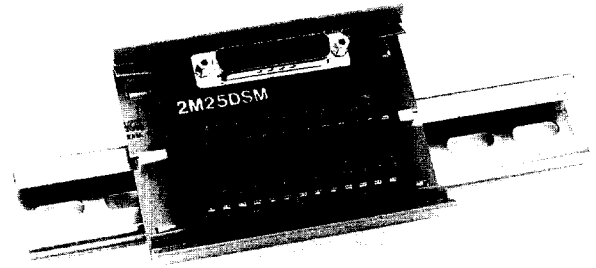
TERMINALS: Bright acid-tin over copper alloy

SCREWS: #3-48, steel zinc plated

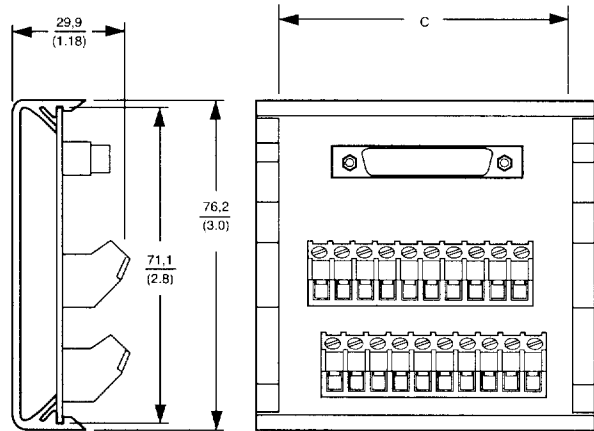
WIRE RANGE: 12-22 AWG

MOUNTING: 2TK2 and 2TK2D Series

SNAPTRACK Channel



2M25DSM



Ordering Information

# OF POSITIONS	CATALOG NUMBER	C
09	2M09DSM	(1.50) 38,1
15	2M15DSM	(2.10) 53,3
25	2M25DSM	(3.10) 78,7
37	2M37DSM	(4.31) 109,5
50	2M50DSM	(5.93) 150,6

Note: Female D-Sub connector available as 2MXXDSF. Consult Technical Support Center.