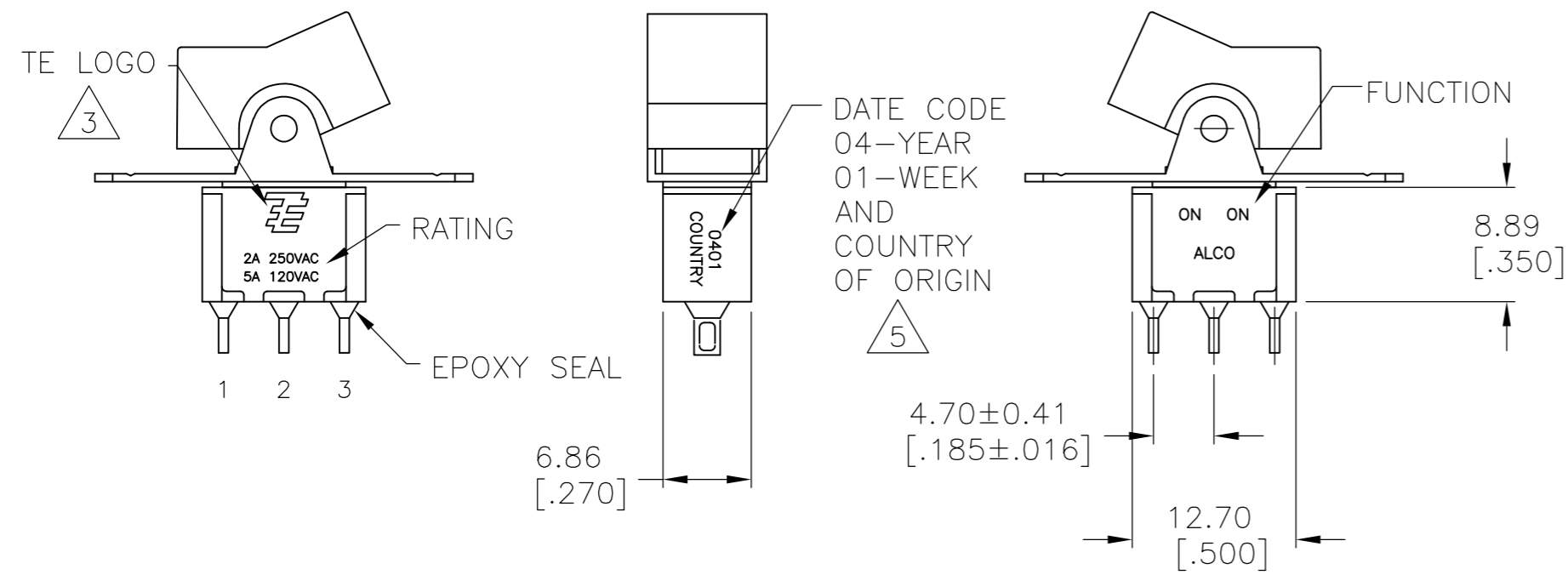


THIS DRAWING IS UNPUBLISHED. RELEASED FOR PUBLICATION
 © COPYRIGHT BY TYCO ELECTRONICS CORPORATION. ALL RIGHTS RESERVED.

LOC	DIST	REVISIONS			
P	LTR	DESCRIPTION	DATE	DWN	APVD
AD	00	A5	REVISED PER ECO-10-009310	07MAY10	HMR MW



- 1 ALL MATERIALS AND FINISHES SHALL COMPLY WITH EU DIRECTIVE 2002/95/EC OF 27JAN2003 (ROHS).
 - 2 G CONTACT OPTION CAN BE USED FOR SIGNAL OR POWER LEVEL SWITCHING. IF SWITCH IS USED AT LEVELS EXCEEDING .4VA @ 20V AC/DC, SWITCH IS RENDERED FOR POWER SWITCHING ONLY DUE TO ARC REMOVAL OF GOLD PLATING. RATING STAMPED ON SWITCH IS 2A 250VAC, 5A 120VAC.
- (3) TE LOGO PER PER TEC-202-36.
- (5) DATE CODE AND COUNTRY OF ORIGIN MAY APPEAR ON EITHER SIDE OF SWITCH.
- 6 PANEL MOUNT BRACKET SUPPLIED WITH TERMINALS W, Z AND Z3 ONLY.
- (7) ACTUATOR MARKED -

FUNCTION CHART

FUNCTION	1 2 3	1 2 3	1 2 3
01	ON	NONE	ON
03	ON	OFF	ON
05	(ON)	OFF	(ON)
07	ON	OFF	(ON)
08	ON	NONE	(ON)
TERMINALS CONNECTED	2-3	---	1-2

NONE: NO MECHANICAL POSITION
 OFF: MECHANICAL POSITION WITH NO ELECTRICAL CONNECTION
 (ON): MOMENTARY ACTION

SPECIFICATIONS

RATING, B CONTACTS	.4VA MAX @20V MAX. AC OR DC
RATING, G CONTACTS—SEE NOTE 2	.4VA MAX @20V MAX. AC OR DC OR
	5A @120 VAC OR 28 VDC (RESISTIVE)
RATING, Q CONTACTS	2A @250 VAC (RESISTIVE)
	5A @120 VAC OR 28 VDC (RESISTIVE)
ELECTRICAL LIFE	6,000 CYCLES AT RATED LOAD
CONTACT RESISTANCE	10 MILLIOHMS MAX INITIAL @ 2-4VDC, 100MA
INSULATION RESISTANCE	1,000 MEGOHMS MIN
DIELECTRIC WITHSTANDING VOLTAGE	1,000 V RMS AT SEA LEVEL
OPERATING TEMPRATURE	-30C TO 85C

PART NUMBER SEQUENCE CHART

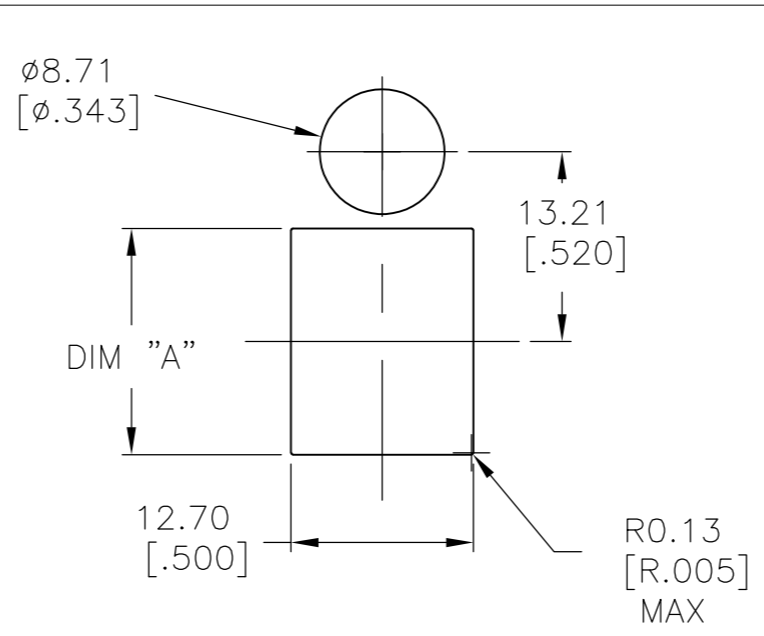
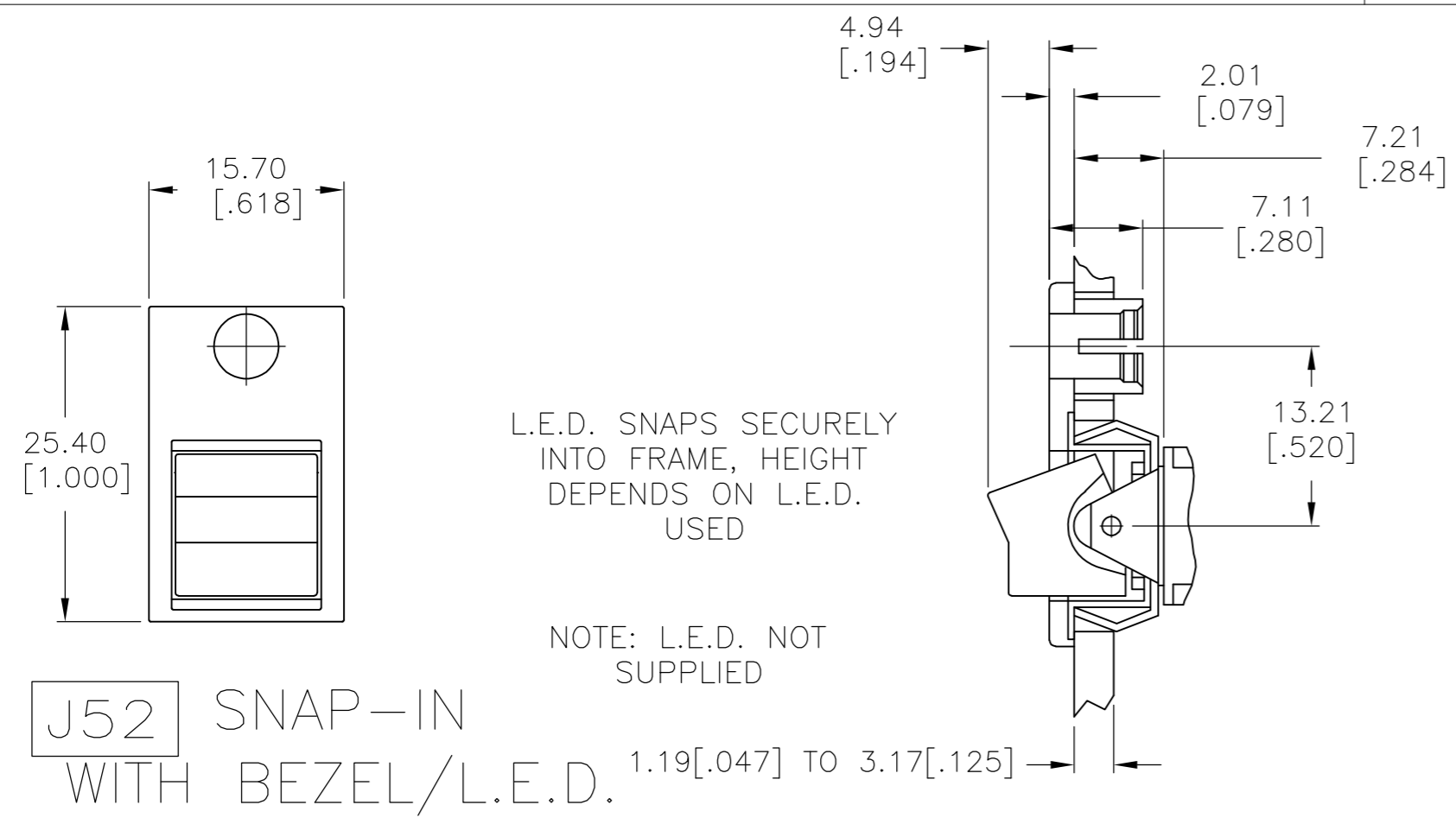
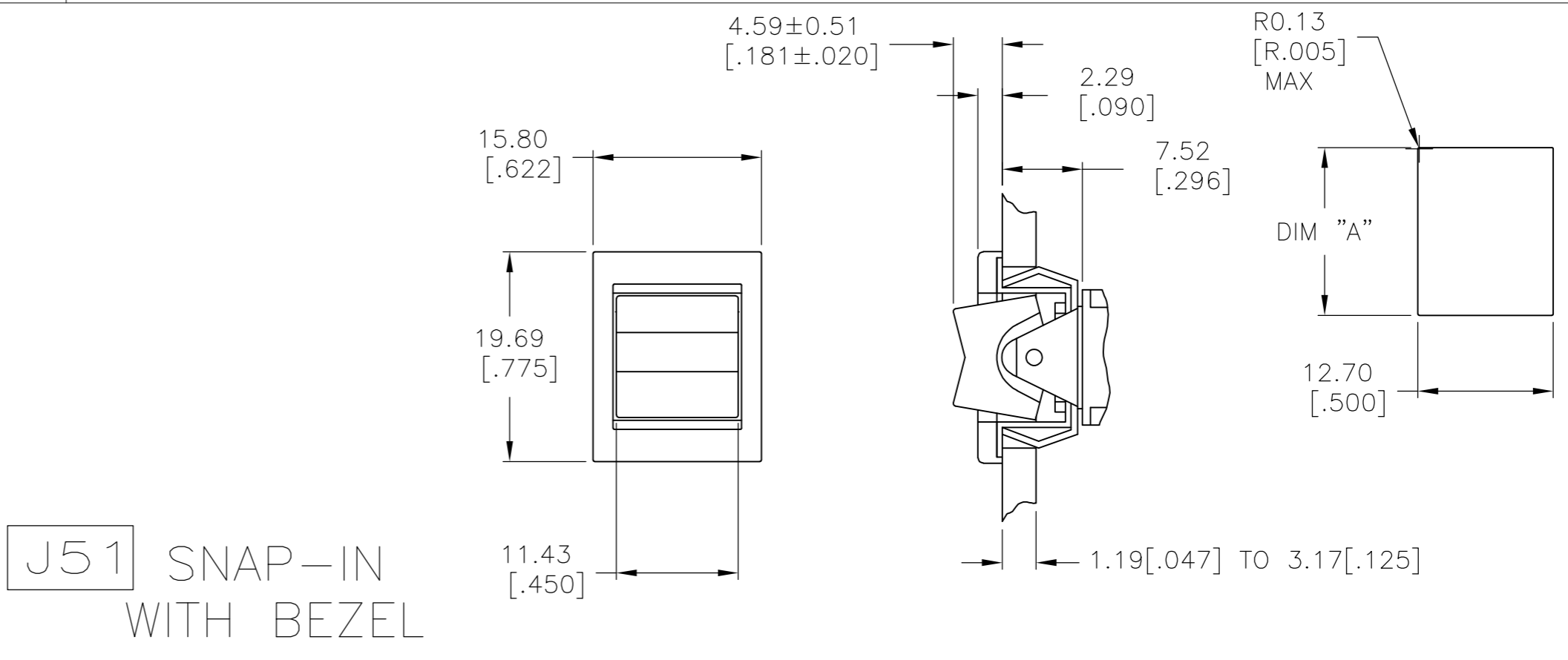
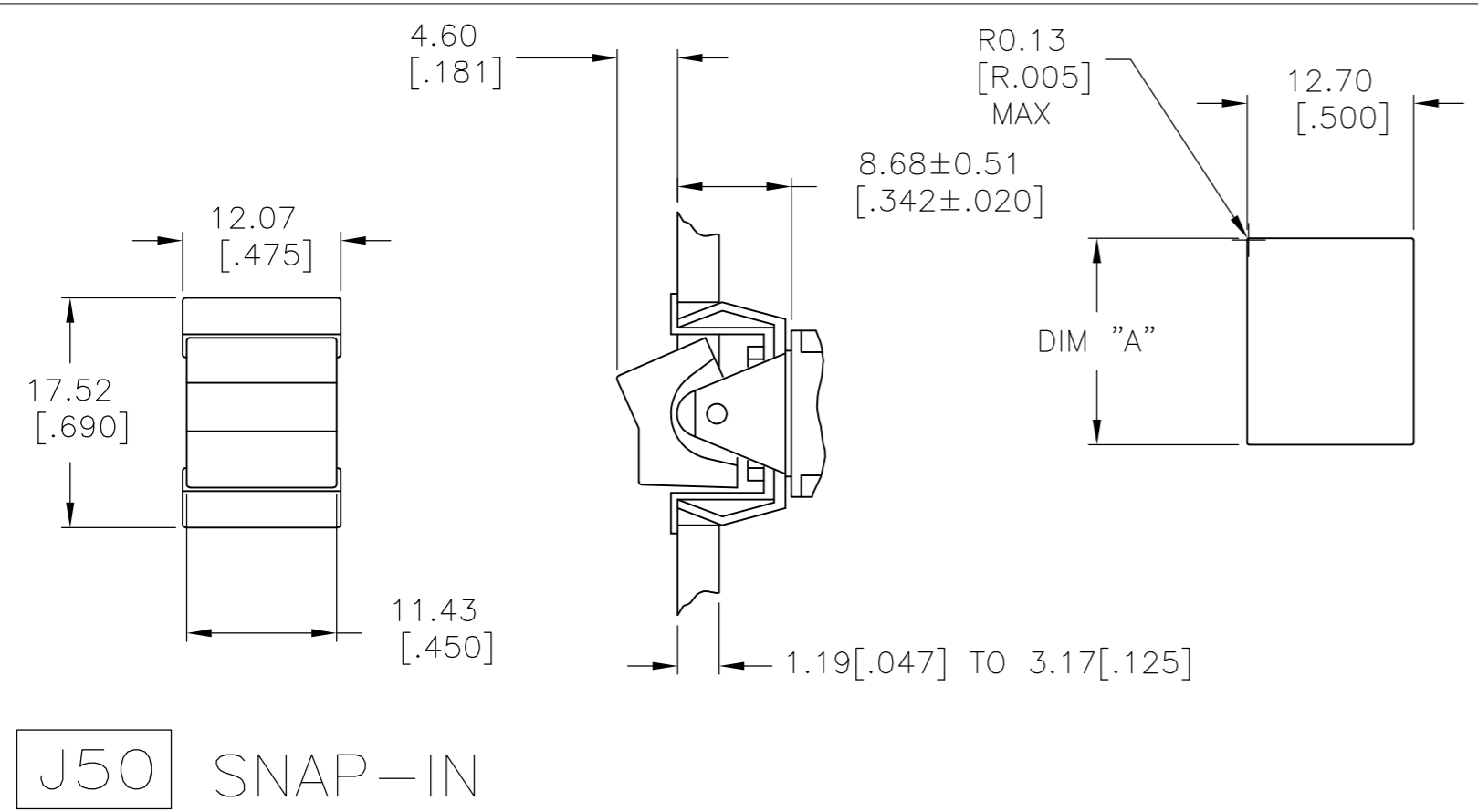
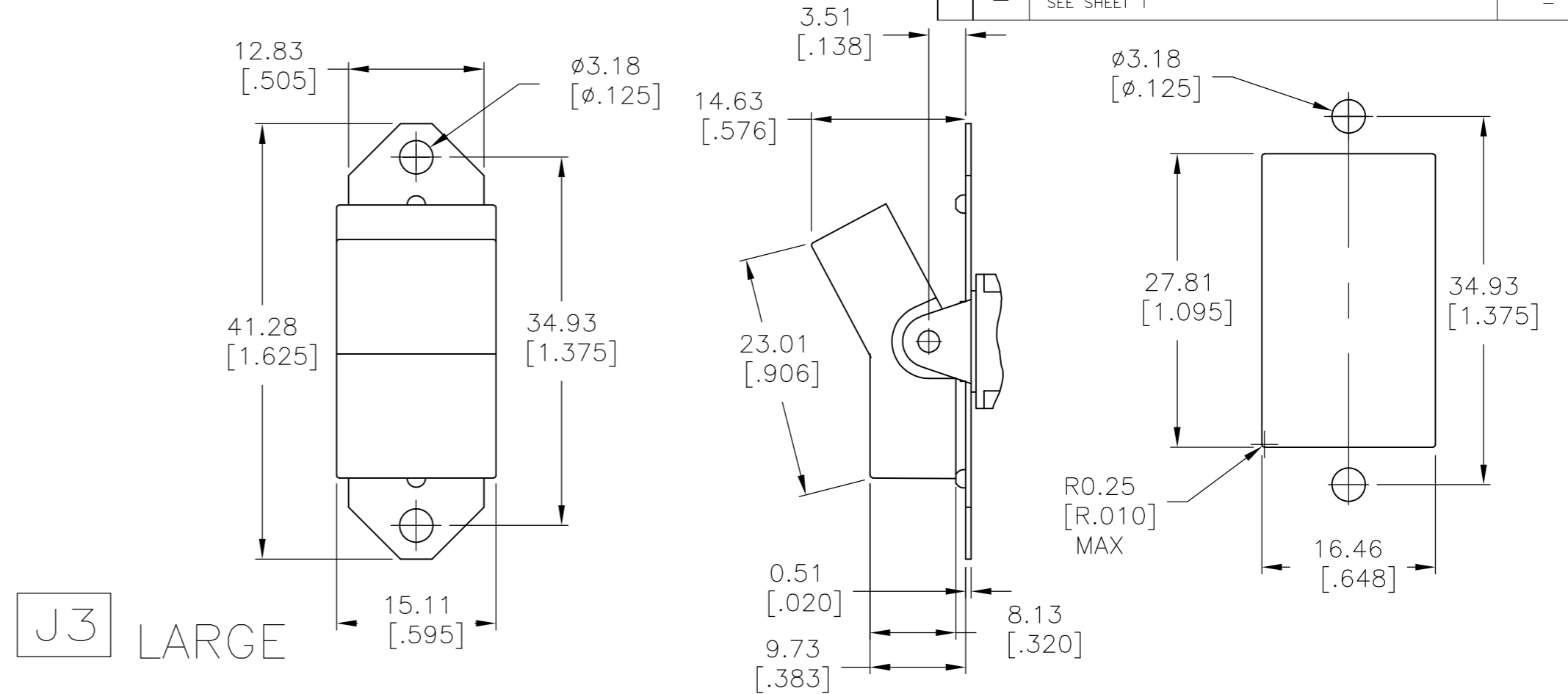
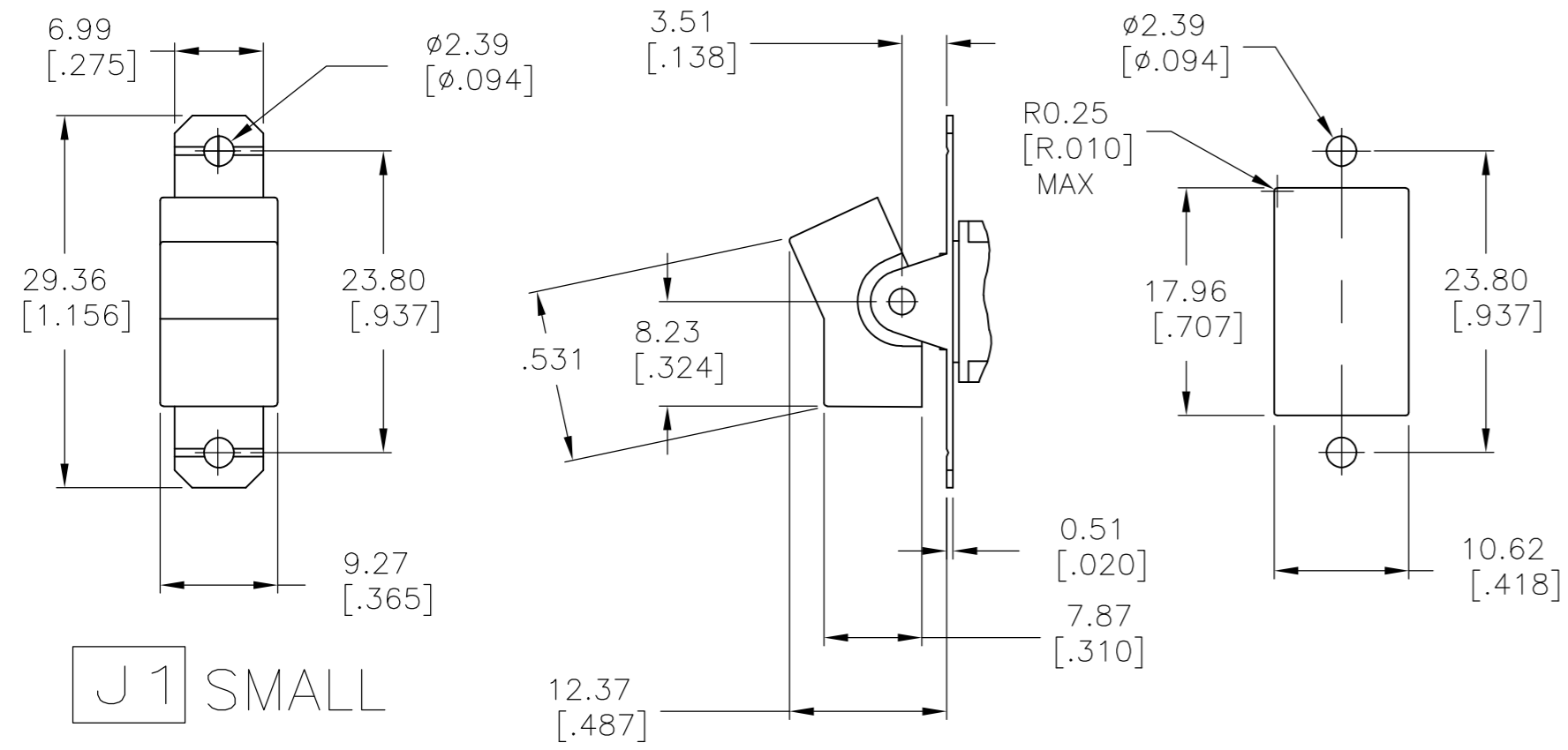
MODEL	FUNCTION	ACTUATOR	TERMINAL	CONTACT	ACTUATOR COLOR	BEZEL COLOR	ROHS
A1							04
	01	J1	A	B	0 BLACK (STD)	0 BLACK (STD)	
	03	J3	AV2	G	1 BROWN	1 BROWN	
	05	J50	C	Q	2 RED	2 RED	
	07	J51	V3		3 ORANGE	3 ORANGE	
	08	J52	V4		4 YELLOW	4 YELLOW	
		J2	V6		5 GREEN	5 GREEN	
		J4	V7		6 BLUE	6 BLUE	
		J60	W		8 GRAY	8 GRAY	
		J61	W4		9 WHITE	9 WHITE	
		J62	Z				
			Z3				

THIS DRAWING IS A CONTROLLED DOCUMENT.

DIMENSIONS: mm [INCHES]	TOLERANCES UNLESS OTHERWISE SPECIFIED:	DWN: M.BINNER 06JAN05	Tyco Electronics Corporation Harrisburg, PA 17105-3608			
	0 PLC ± -	CHK: M.ZITTO 06JAN05				
	1 PLC ± -	APVD: M.ZITTO 06JAN05				
	2 PLC ± -	PRODUCT SPEC				
	3 PLC ± .010	APPLICATION SPEC				
4 PLC ± -	ANGLES ± 4'	MATERIAL: -	FINISH: -	NAME: GEMINI A SERIES ROCKER SWITCH SINGLE POLE		
CUSTOMER DRAWING		WEIGHT: -	SIZE: A2	CAGE CODE: 00779	DRAWING NO: C=1571986	RESTRICTED TO: -
		SCALE: 2:1	SHEET: 1 of 5	REV: A5		

THIS DRAWING IS UNPUBLISHED. RELEASED FOR PUBLICATION
 © COPYRIGHT BY TYCO ELECTRONICS CORPORATION. ALL RIGHTS RESERVED.

LOC		DIST		REVISIONS				
P	LTR	DESCRIPTION	DATE	DWN	APVD			
AD	00	SEE SHEET 1	-	-	-			

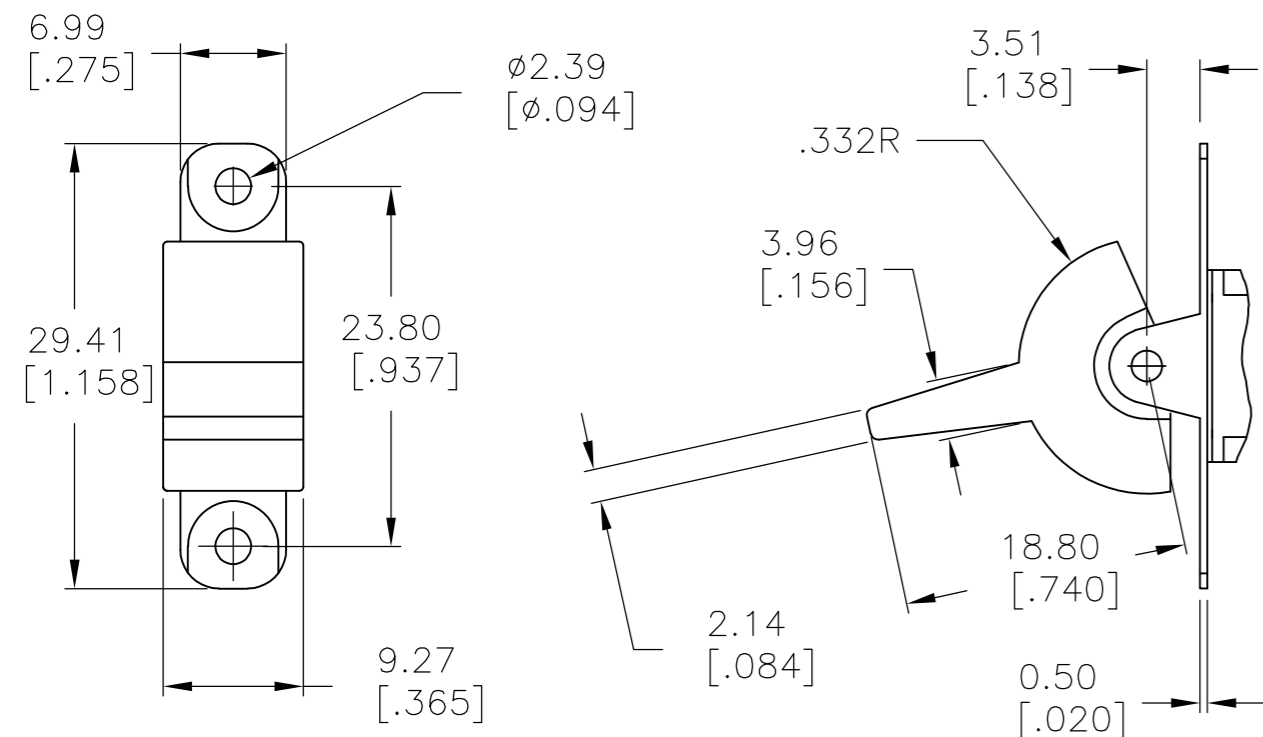


1.52 [.060] - 3.17 [.125]	15.75 [.620] - 15.87 [.625]
1.19 [.047] - 1.50 [.059]	15.72 [.619]
PANEL THICKNESS	DIM "A"

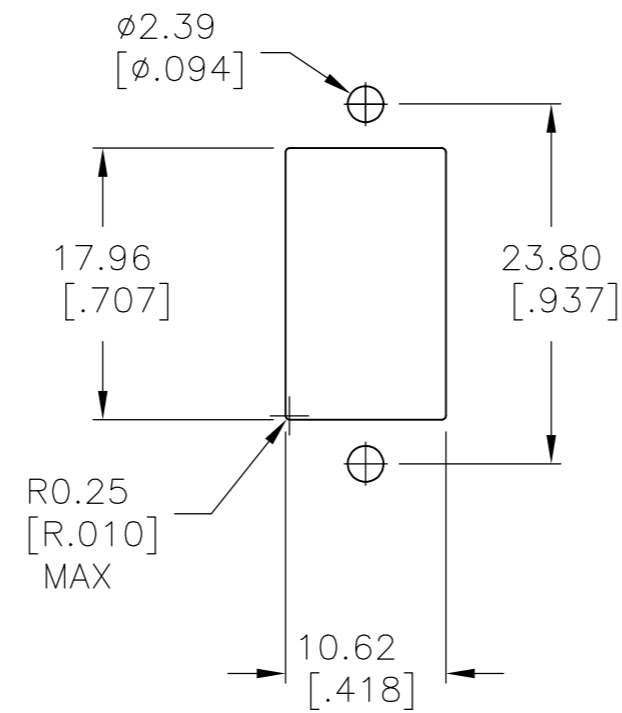
THIS DRAWING IS A CONTROLLED DOCUMENT.		DWN	M.BINNER	06JAN05	Tyco Electronics Tyco Electronics Corporation Harrisburg, PA 17105-3608
DIMENSIONS: mm [INCHES]		CHK	M.ZITTO	06JAN05	
TOLERANCES UNLESS OTHERWISE SPECIFIED:		APVD	M.ZITTO	06JAN05	NAME GEMINI A SERIES ROCKER SWITCH SINGLE POLE
0 PLC ± -		PRODUCT SPEC			
1 PLC ± -		APPLICATION SPEC			SIZE
2 PLC ± -					CAGE CODE
3 PLC ± .010					DRAWING NO
4 PLC ± -					RESTRICTED TO
ANGLES ± 4°		WEIGHT	-		A2
MATERIAL		CUSTOMER DRAWING			00779
FINISH					C=1571986
		SCALE	2:1	SHEET	2 of 5
		REV	A5		

THIS DRAWING IS UNPUBLISHED. RELEASED FOR PUBLICATION
 © COPYRIGHT BY TYCO ELECTRONICS CORPORATION. ALL RIGHTS RESERVED.

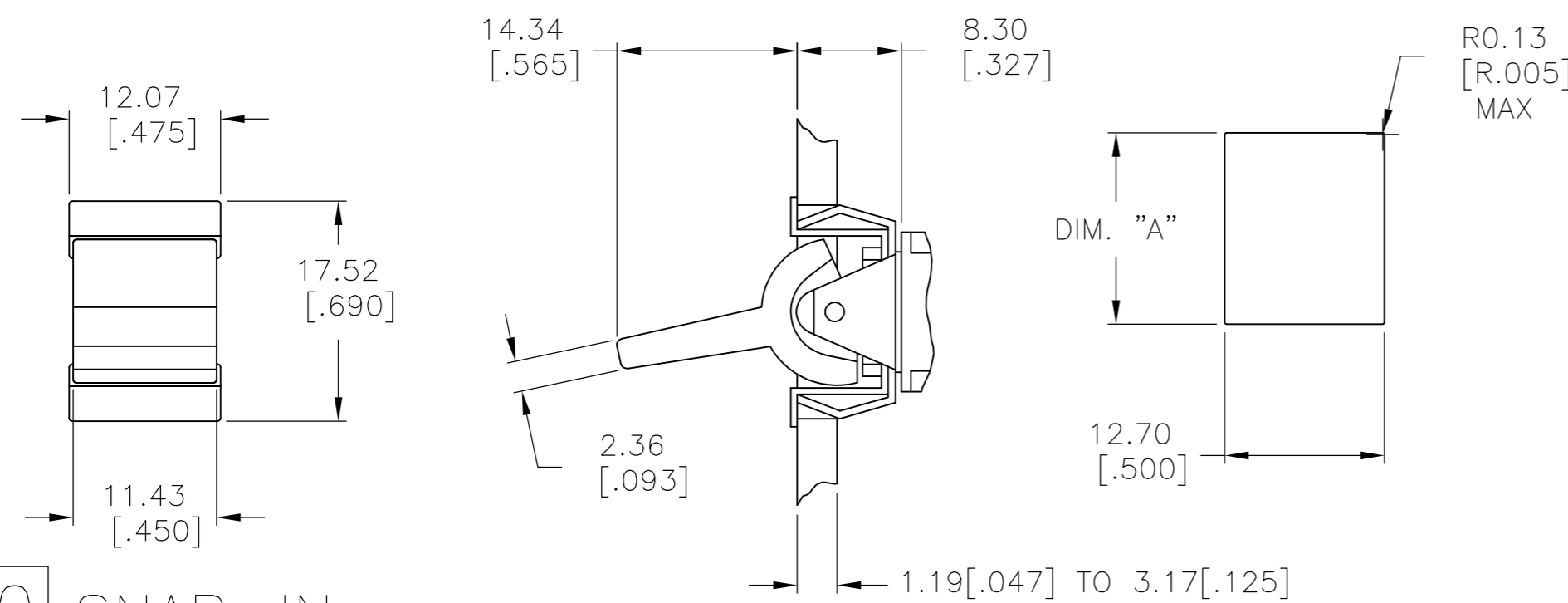
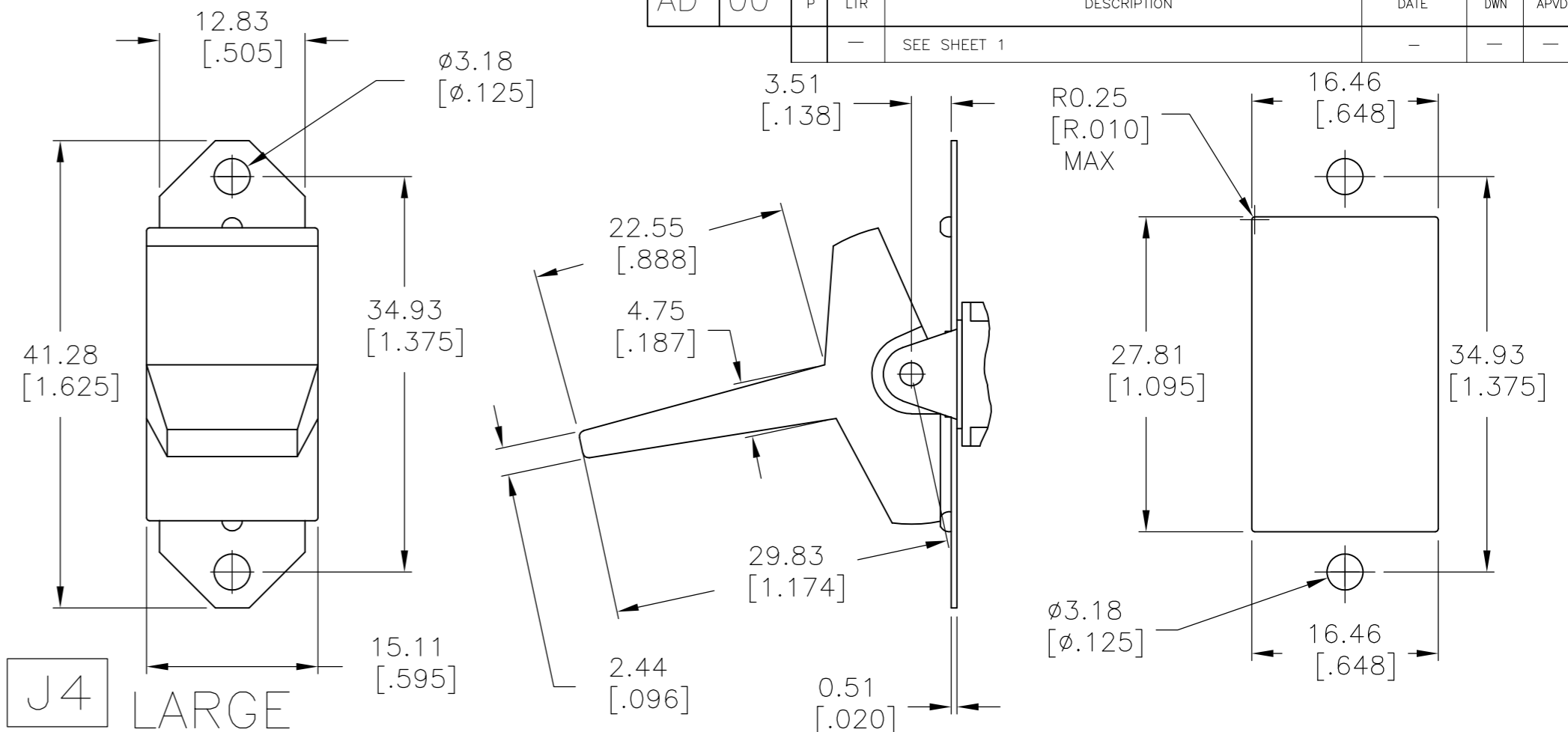
LOC	DIST	REVISIONS			
P	LTR	DESCRIPTION	DATE	DWN	APVD
AD	00	SEE SHEET 1	-	-	-



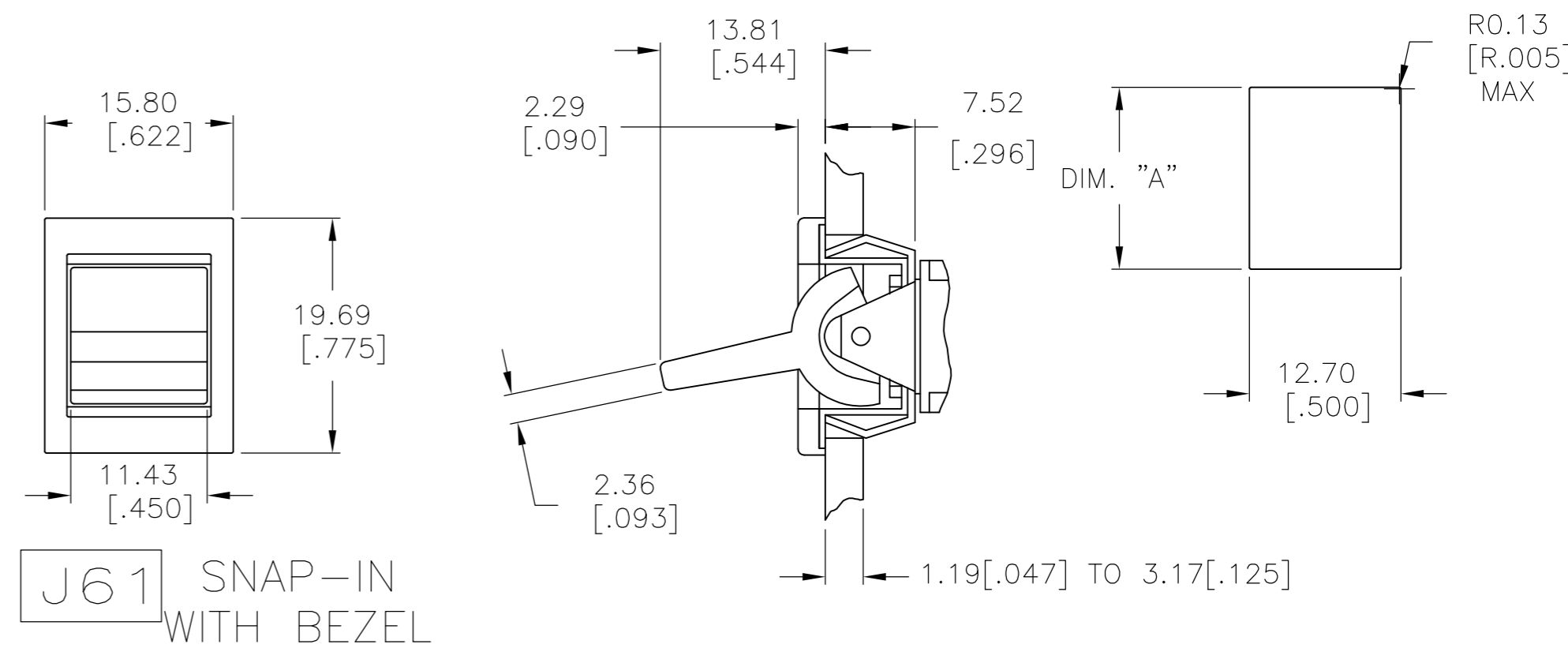
J2 SMALL



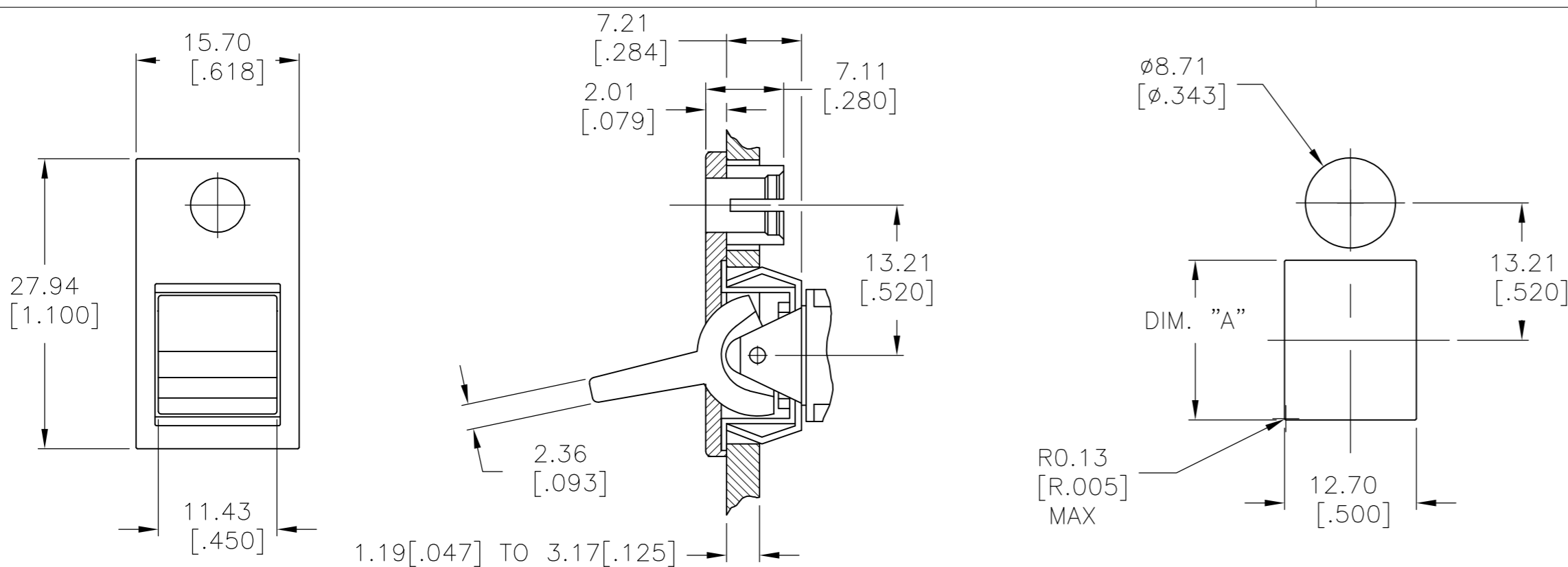
J4 LARGE



J60 SNAP-IN



J61 SNAP-IN WITH BEZEL



J62 SNAP-IN WITH BEZEL/L.E.D.

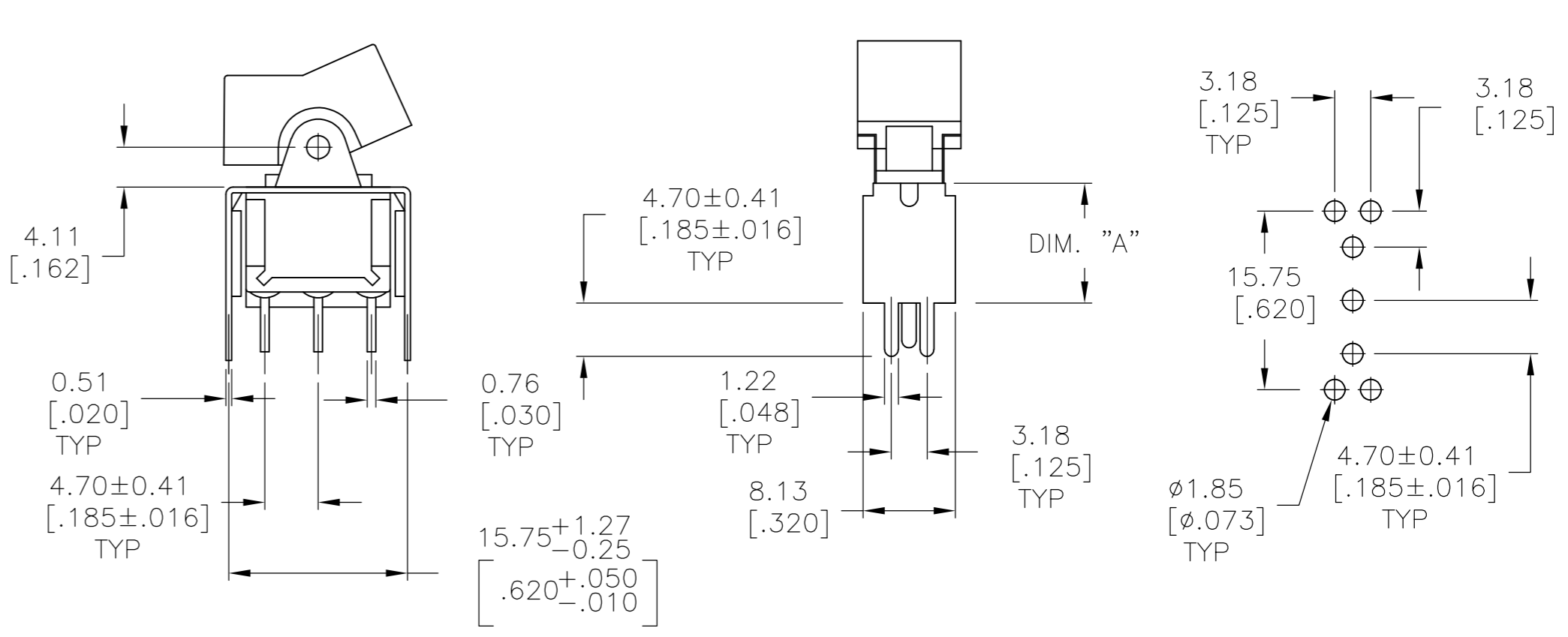
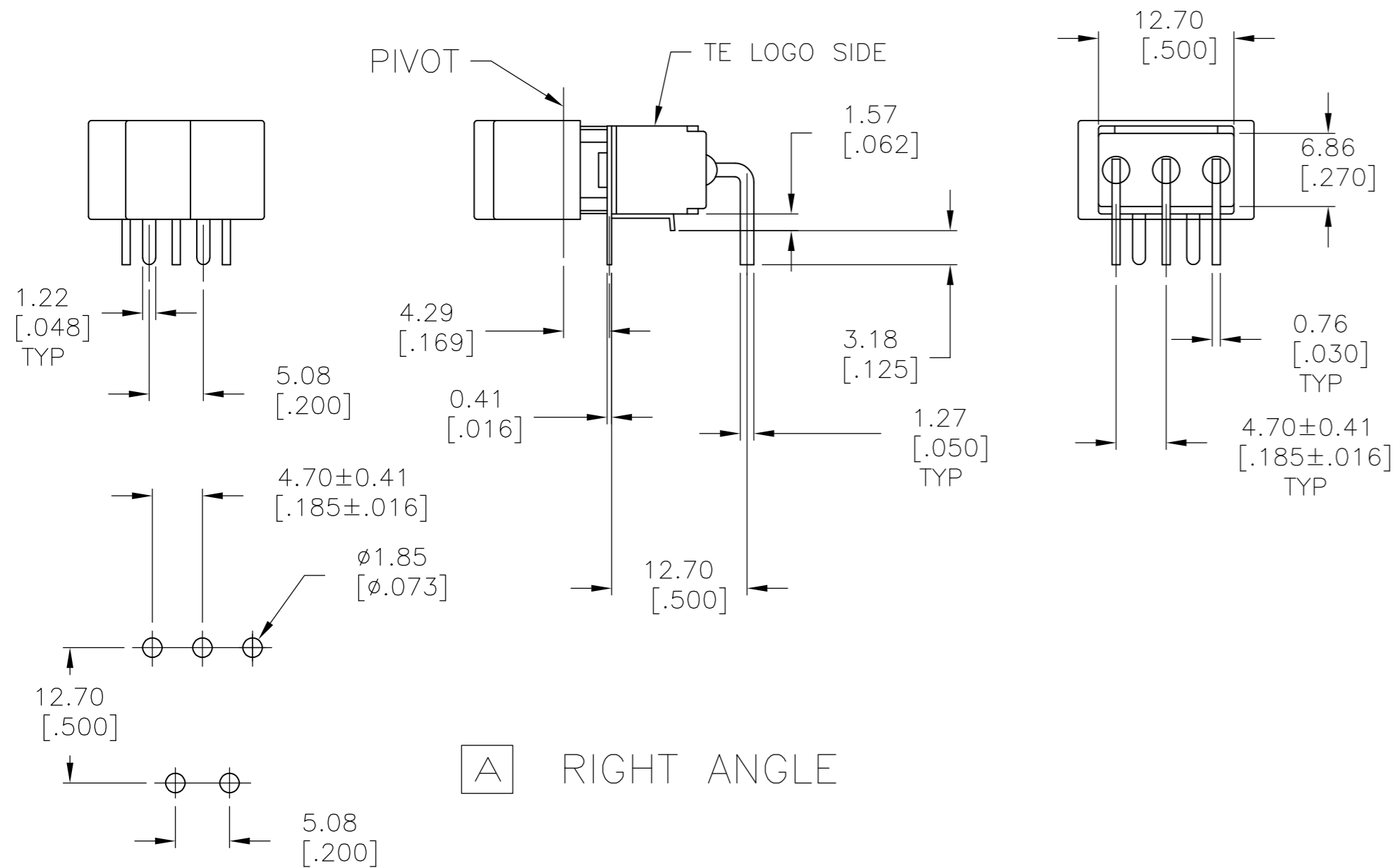
NOTE: L.E.D. NOT SUPPLIED

1.52 [.060] - 3.17 [.125]	15.75 [.620] - 15.87 [.625]
1.19 [.047] - 1.50 [.059]	15.72 [.619]
PANEL THICKNESS	DIM "A"

THIS DRAWING IS A CONTROLLED DOCUMENT.		DWN	M.BINNER	06JAN05	Tyco Electronics Corporation Harrisburg, PA 17105-3608				
DIMENSIONS: mm [INCHES]		CHK	M.ZITTO	06JAN05					
TOLERANCES UNLESS OTHERWISE SPECIFIED:		APVD	M.ZITTO	06JAN05					
0 PLC ± - 1 PLC ± - 2 PLC ± - 3 PLC ± .010 4 PLC ± - ANGLES ± 4°		PRODUCT SPEC	NAME						
MATERIAL	FINISH	APPLICATION SPEC	-		SIZE	CAGE CODE	DRAWING NO	RESTRICTED TO	
-	-	WEIGHT	-		A2	00779	C=1571986	-	
CUSTOMER DRAWING				SCALE	2:1	SHEET	3 OF 5	REV	A5

THIS DRAWING IS UNPUBLISHED. RELEASED FOR PUBLICATION
 © COPYRIGHT BY TYCO ELECTRONICS CORPORATION. ALL RIGHTS RESERVED.

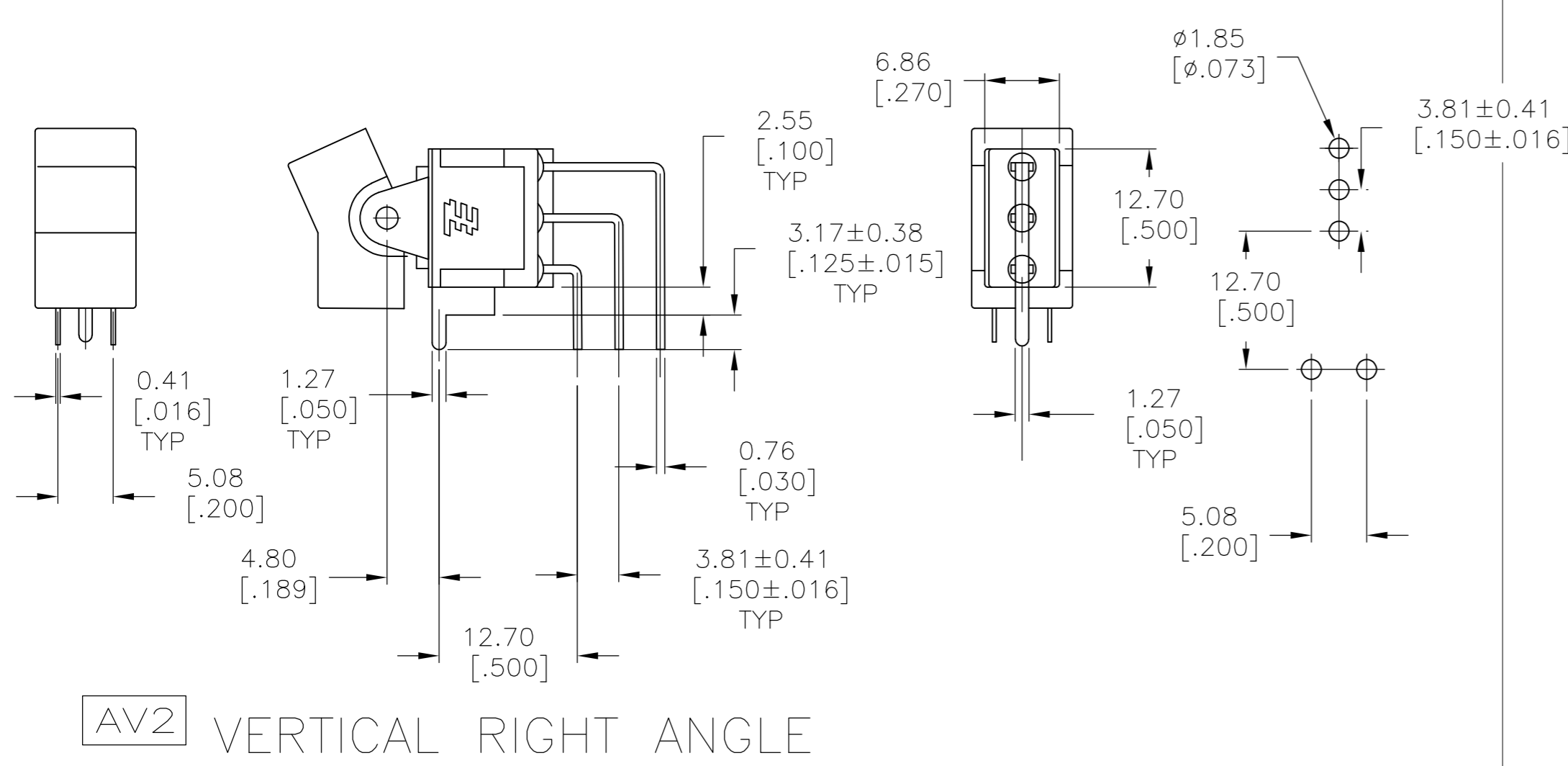
LOC	DIST	REVISIONS			
P	LTR	DESCRIPTION	DATE	DWN	APVD
AD	00	SEE SHEET 1	-	-	-



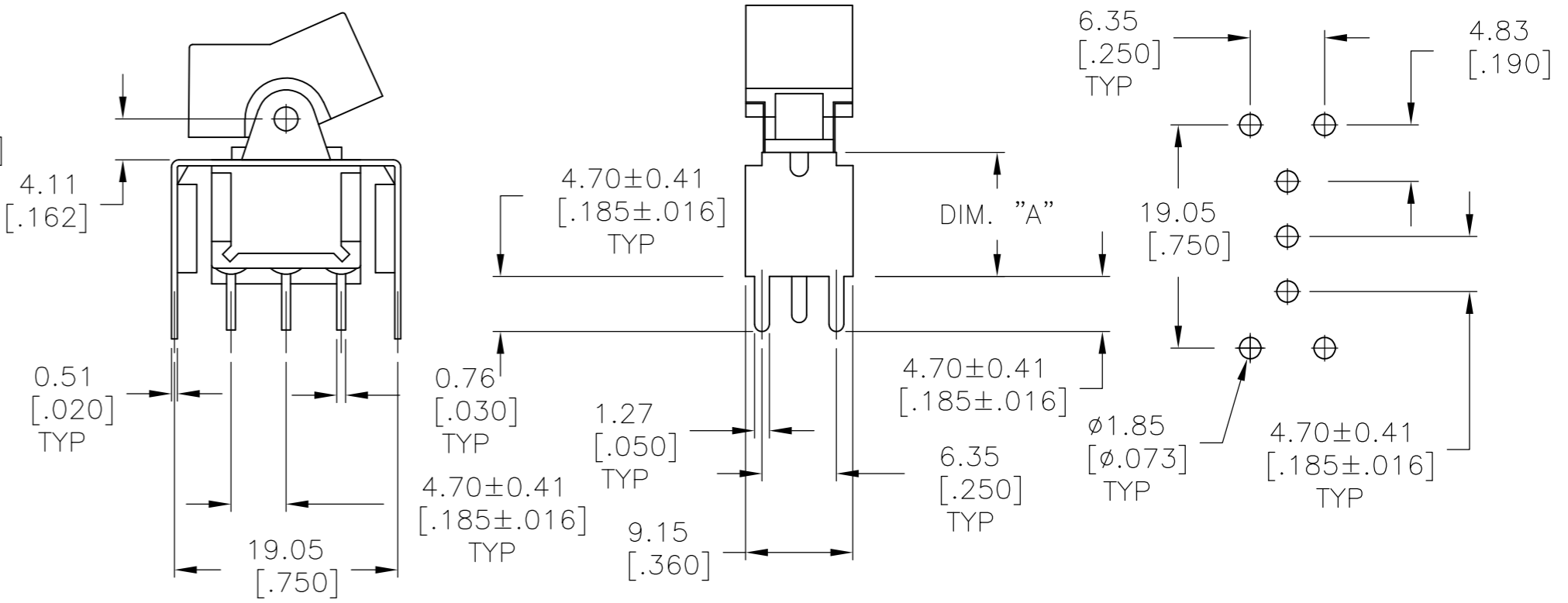
V3 V4

VERTICAL SUPPORT BRACKET

OPTION CODE	DIM "A"
V3	11.68 [.460]
V4	16.00 [.630]



AV2 VERTICAL RIGHT ANGLE



V6 V7

VERTICAL SUPPORT BRACKET

OPTION CODE	DIM "A"
V6	11.68 [.460]
V7	16.00 [.630]

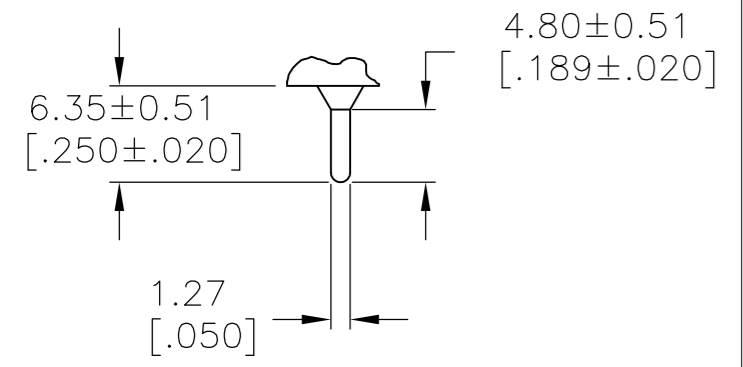
THIS DRAWING IS A CONTROLLED DOCUMENT.		DWN M.BINNER 06JAN05	Tyco Electronics Corporation Harrisburg, PA 17105-3608	
DIMENSIONS: mm [INCHES]		CHK M.ZITTO 06JAN05	NAME GEMINI A SERIES ROCKER SWITCH SINGLE POLE	
TOLERANCES UNLESS OTHERWISE SPECIFIED: 0 PLC ± - 1 PLC ± - 2 PLC ± - 3 PLC ± .010 4 PLC ± - ANGLES ± 4°		APVD M.ZITTO 06JAN05	SIZE A2	
MATERIAL -		FINISH -	CAGE CODE 00779	DRAWING NO 1571986
CUSTOMER DRAWING		WEIGHT -	RESTRICTED TO -	SCALE 2:1
		SHEET 4 OF 5		REV A5

THIS DRAWING IS UNPUBLISHED. RELEASED FOR PUBLICATION
 © COPYRIGHT BY TYCO ELECTRONICS CORPORATION. ALL RIGHTS RESERVED.

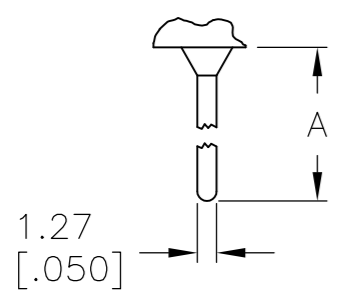
LOC	DIST	REVISIONS					
AD	00	P	LTR	DESCRIPTION	DATE	DWN	APVD
		-		SEE SHEET 1	-	-	-

MATERIALS CHART

COMPONENT NAME	BASE MATERIAL	FINISH
CASE	DAP, 30-40% GF, RED, UL94 V-0, COSMIC D72/6120F	
FRAME	304 STAINLESS STEEL	
B TERMINALS & CONTACTS	C194 COPPER	.000015 GOLD OVER .000100-.000150 NICKEL
G TERMINALS & CONTACTS	C194 COPPER	.000010 GOLD OVER .000400 SILVER
Q TERMINALS & CONTACTS	C194 COPPER	.000400 SILVER
ACTUATOR	PHENOLIC, BLACK, UL94 V-1	
ROCKER CAP	NYLON, BLACK, UL94 V-1, NYTEX MG-2012N	
BUSHING & ACTUATOR LEVER	ZINC ALLOY K2	.000100-.000150 NICKEL
SPRING	MUSIC WIRE	
SUPPORT BRACKET	C2680H BRASS	.000100-.000150 TIN
PIVOT PIN	STEEL	.000100-.000150 NICKEL
TERMINAL SEAL	EPOXY, UL94 V-1, BOOM HOUSE S-9001A	

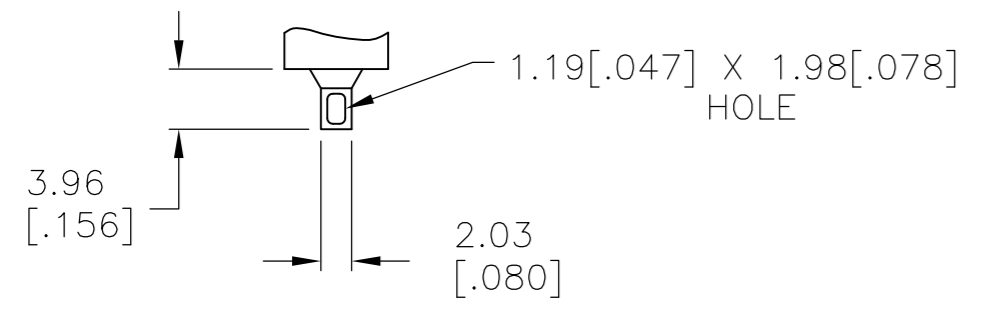


C PRINTED CIRCUIT
 .030 THK.

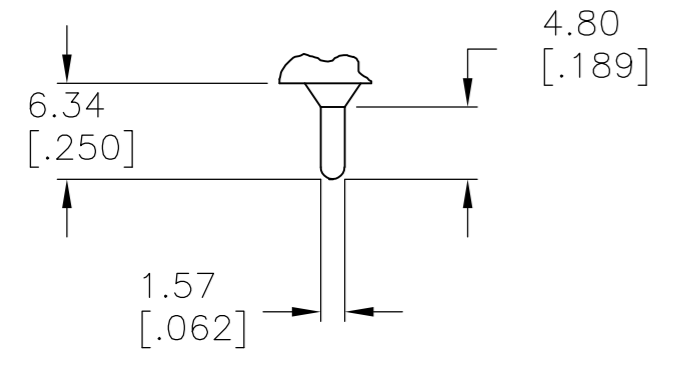


OPTION	DIM A
W	18.69 [.736]
W4	26.97 [1.062]

W **W4** WIRE WRAP
 .030 THK.



Z WIRE LUG
 .030 THK.



Z3 QUICK CONNECT
 .030 THK.

7	A101J1AV2Q004AM	7-1571986-2
	A108J61ZQ0004	7-1571986-0
	A108J51ZQ0004	6-1571986-9
	A108J1ZQ004	6-1571986-8
	A108J1V3Q004	6-1571986-7
	A107J61ZQ0004	6-1571986-6
	A107J51ZQ0004	6-1571986-5
	A105J61ZQ0004	6-1571986-4
	A105J61ZG0004	6-1571986-3
	A105J52ZQ2004	6-1571986-2
	A105J51ZQ0004	6-1571986-1
	A105J4ZQ004	6-1571986-0
	A105J3ZQ004	5-1571986-9
	A105J3CQ2004	5-1571986-8
	A105J3CQ004	5-1571986-7
	A105J2ZQ004	5-1571986-6
	A105J2AV2Q004	5-1571986-5
	A105J2AQ004	5-1571986-4
	A105J1ZQ004	5-1571986-3
	A105J1V3B004	5-1571986-2
	A105J1CQ004	5-1571986-1
	ALCO P/N	TE P/N

7	PRELIMINARY	A101J1AB004	1571986-1
		ALCO P/N	TE P/N

THIS DRAWING IS A CONTROLLED DOCUMENT.		DWN	M.BINNER	06JAN05	Tyco Electronics Corporation Harrisburg, PA 17105-3608
DIMENSIONS: mm [INCHES]		CHK	M.ZITTO	06JAN05	
TOLERANCES UNLESS OTHERWISE SPECIFIED:		APVD	M.ZITTO	06JAN05	
0 PLC ± - 1 PLC ± - 2 PLC ± - 3 PLC ± .010 4 PLC ± - ANGLES ± 4°		PRODUCT SPEC	NAME		
MATERIAL	FINISH	APPLICATION SPEC	GEMINI A SERIES ROCKER SWITCH SINGLE POLE		RESTRICTED TO
-	-	WEIGHT	-	SIZE	A2
CUSTOMER DRAWING		SCALE	2:1	CAGE CODE	00779
		DRAWING NO	1571986		REV
		SHEET	5 of 5		A5