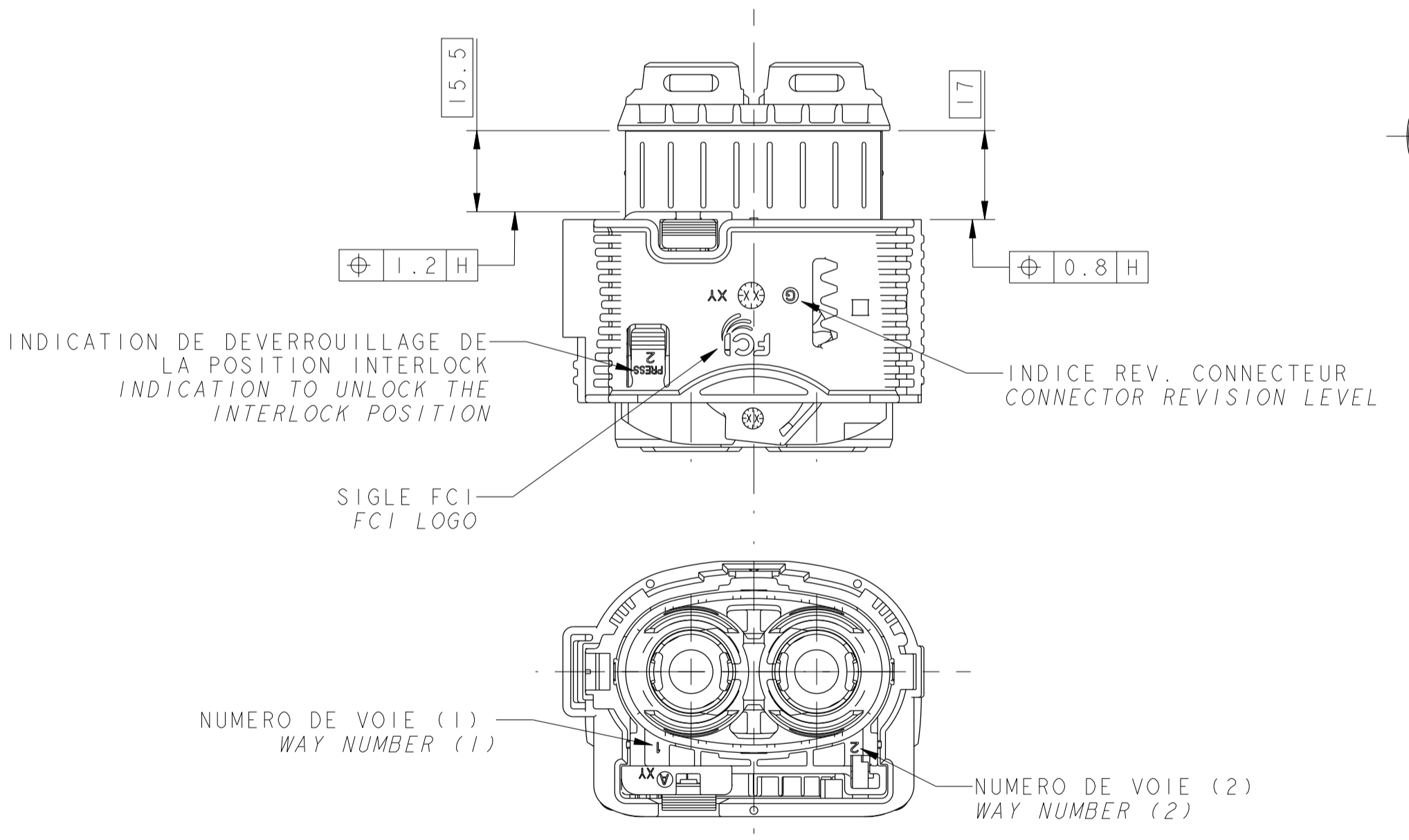
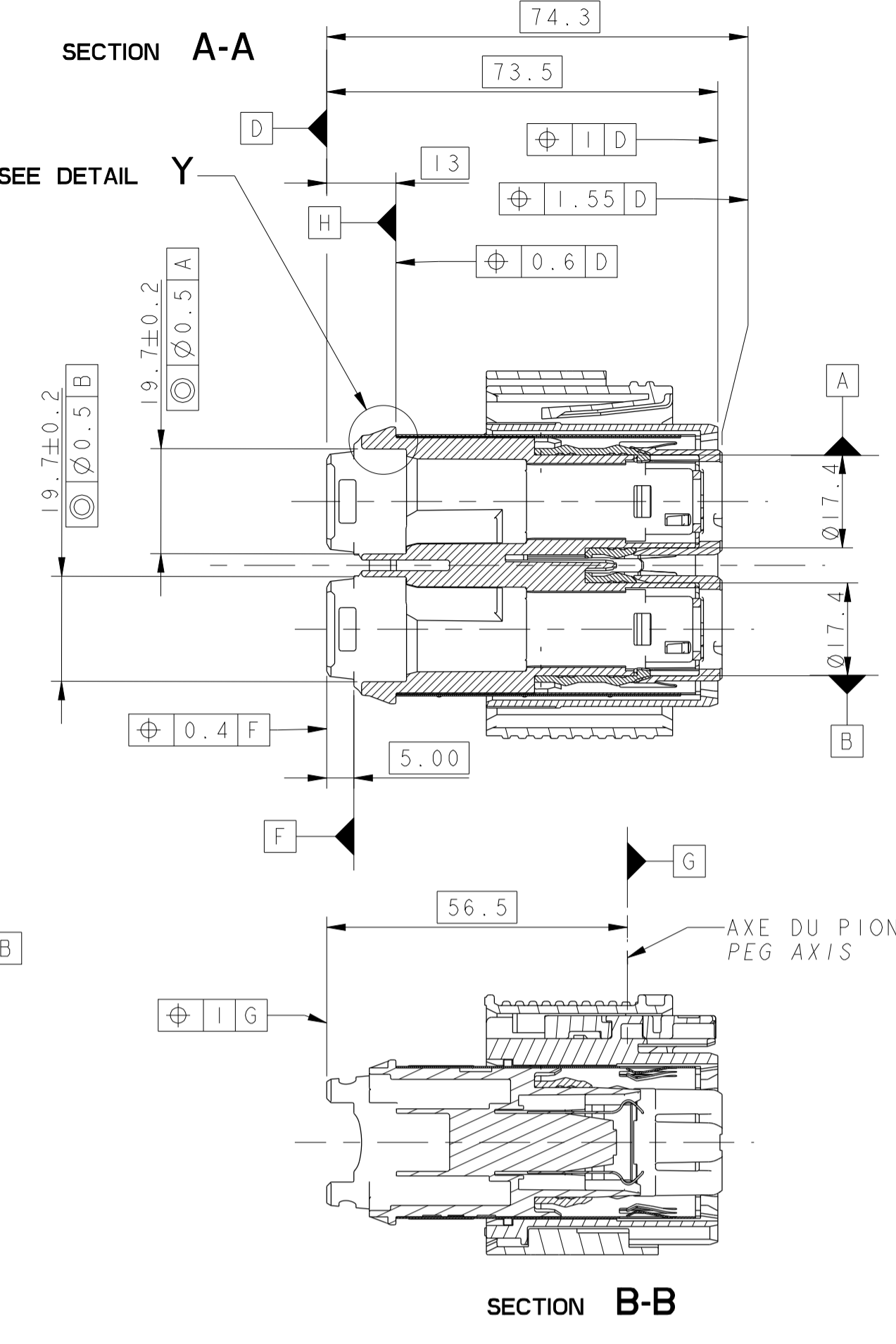
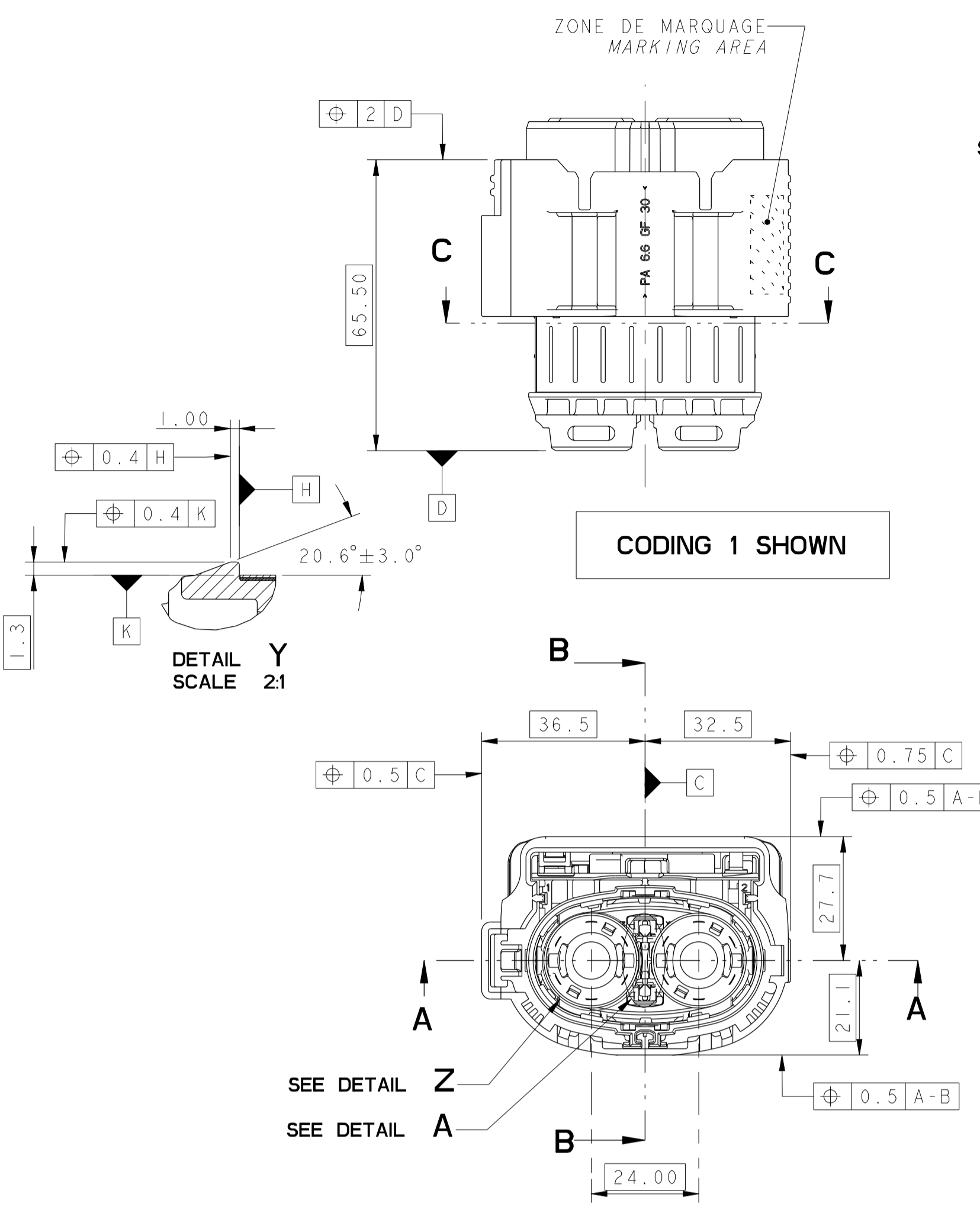


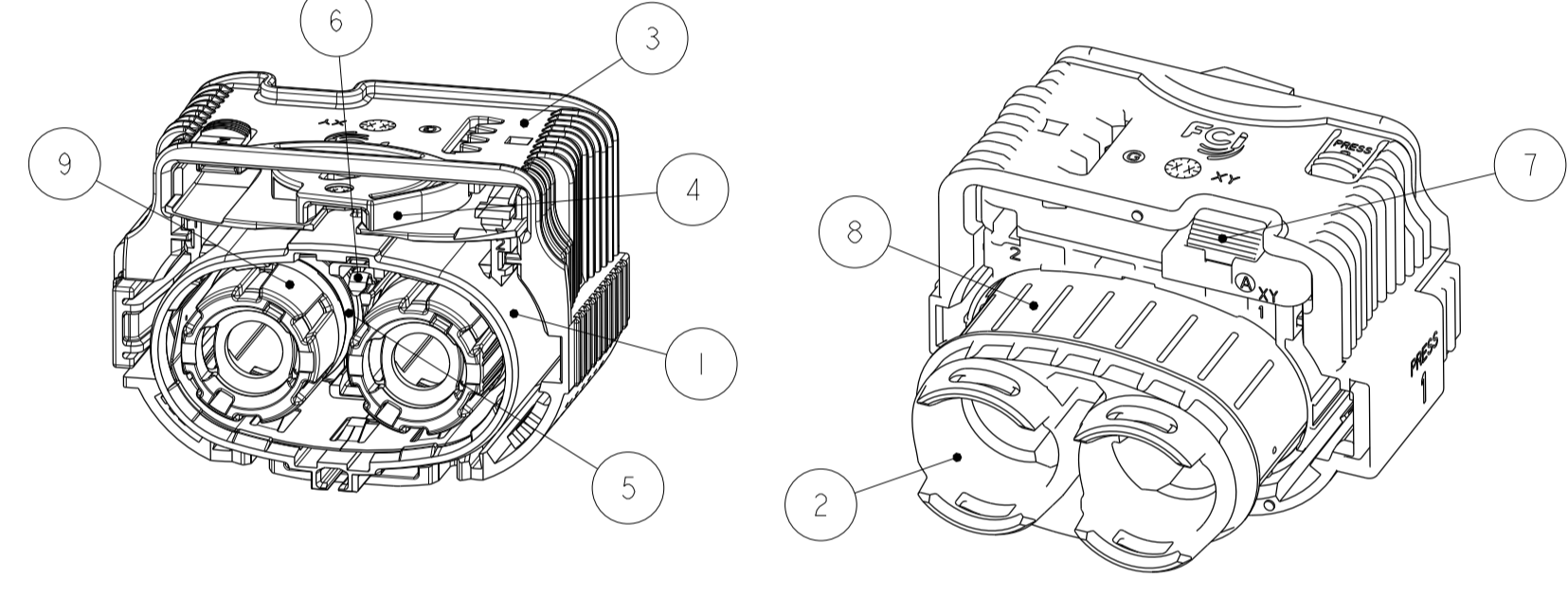
NOTE :
LA RÉFÉRENCE C EST DÉFINIE AU MILIEU DU SEGMENT [AB] NORMALE À LA RÉFÉRENCE [A-B]
THE REFERENCE C IS DEFINED IN THE MIDDLE OF THE SEGMENT [AB] NORMAL TO THE REFERENCE [A-B]



CODAGE / KEY	REFERENCE FCI / FCI PART-N°	F673110 REVISION G	F773110 REVISION G	A DEFINIR TO BE DEFINED
	CODAGE MÉCANIQUE-COULEUR DE L'ÉTRIER MECHANICAL KEY= SLIDER COLOR	F673110 REVISION G	CODAGE 1 (NOIR) KEY 1 (BLACK)	CODAGE 2 (MARRON) KEY 2 (BROWN)
REFERENCE ETRIER / SLIDER PART-N°	C897010	C997010	A DEFINIR TO BE DEFINED	
SUIVANT VUE DE FACE ±0.25 ; ±2° FOLLOWING FRONT VIEW ±0.25 ; ±2°				

PRODUITS ASSOCIES (POUR INFORMATION) / ASSOCIATED PARTS (FOR INFORMATION)					
	REFERENCE FCI / FCI PART-N°	SECTION DU FIL / WIRE SECTION	DIAMETRE EXTERNE DU FIL / EXTERNAL WIRE DIAMETER	JUF SWS REFERENCE FCI / FCI PART-N°	COULEUR / COLOR
CLIPS RCS800 ARGENTE SILVER RCS800 FEMALE TERMINAL	F185400	35²	10 MIN - 11 MAXI	F879400	NOIR BLACK
GRILLE ARRIERE SWS RETAINER	F976400	50²	11.9 MIN - 12.9 MAXI	F186400	GRIS GREY
EMBASE 2V RCS800 V2 CODE1 ZW RCS800 V2 CODE1 HEADER	F473110				
EMBASE 2V RCS800 V2 CODE2 ZW RCS800 V2 CODE2 HEADER	F573110				
EMBASE 2V RCS800 V2 CODE3 ZW RCS800 V2 CODE3 HEADER	A DEFINIR TO BE DEFINED				

TABLEAU DES COMPOSANTS CONSTITUANT LE PRODUIT COMPONENTS TABLE CONSTITUTING THE PRODUCT				
REPERE	DESIGNATION TITLE	COULEUR COLOR	MATIERE MATERIAL	QUANTITE QUANTITY
1	BOITIER EXTERNE OUTER HOUSING	ORANGE ORANGE	PBT 15% FV PBT GF 15	1
2	BOITIER INTERNE INNER HOUSING	ORANGE ORANGE	PBT 15% FV PBT GF 15	1
3	ETRIER SLIDER DEVICE		PA6.6 30% FV PA6.6 GF 30	1
4	CAME ROTATIVE GEAR CAM	NOIR BLACK	PA6.6 30% FV PA6.6 GF 30	1
5	JOINT INTERFACIAL INTERFACIAL SEAL	GRIS GREY	SILICONE LSR LSR SILICON	1
6	SHUNT SHORTING BAR	-	ACIER INOXYDABLE STAINLESS STEEL	1
7	CPA CPA	BLEU BLUE	PA6.6 30% FV PA6.6 GF 30	1
8	BLINDAGE SHIELD PLUG	-	ALLIAGE DE CUIVRE COPPER ALLOY	2
9	CAPUCHON DE PROTECTION PROTECTIVE CAP	NOIR BLACK	PA6.6 30% FV PA6.6 GF 30	2



NOTAS :

- 1- CAHIER DES CHARGES FCI : FE PS 10 008
- CLASSE DE TEMPERATURE DU CONNECTEUR : CLASSE 3 (-40°C ; +125°C)
- CLASSE DE VIBRATION :
 - PRECONDITIONNEMENT
 - VIBRATION 3x 16H (COMBINE AVEC TEMPERATURE -40°C / +125°C) ; 3.9g
- CLASSE D'ÉTANCHEITÉ :
 - 1000mb INITIAL
 - 500mb APRES LES TESTS D'ENVIRONNEMENT
- EFFORT D'ACCOUPLLEMENT : F<80N
- 2- CONDITIONNEMENT : FE PA 10 003
- 3- DOSSIER DE MISE EN ŒUVRE : PUI38
- 4- MASSE DU PRODUIT : 0.097 kg ±10%
- 5- CE PLAN EST UN EXTRAIT DU PLAN DE DEFINITION. ON FERA REFERENCE POUR TOUT LITIGE AUX PLANS DE DEFINITION.
- 6- PLAN D'EMBASE / INTERFACE: PCC0732944

NOTES:

- 1- FCI SPECIFICATIONS: FE PS 10 008
- TEMPERATURE CLASS OF THE CONNECTOR: CLASS 3 (-40°C ; +125°C)
- VIBRATION CLASS:
 - PRECONDITIONNING
 - VIBRATION 3x 16H (COMBINED WITH TEMPERATURE -40°C / +125°C) ; 3.9g
- SEALING CLASS:
 - 1000mb INITIAL
 - 500mb AFTER TEST ENVIRONMENT
- MATING FORCE : F<80N
- 2- PACKAGING : FE PA 10 003
- 3- HANDLING MANUAL : PUI38
- 4- MASS OF THE PRODUCT : 0.097 kg ±10%
- 5- THIS DRAWING IS AN EXTRACT OF THE DETAILS DRAWINGS. IN CASE OF CONFLICT, REFER TO THEM.
- 6- HEADER / INTERFACE DRAWING: PCC0732944

ECN-N° POSITION CHANGÉ DESCRIPTION		REVISIONS		DATE	
1 - INITIAL ISSUE		1		20180907	
PROJET SPEC.	PACKAGING SPEC.	APPLICATION SPEC.	THIS DRAWING AND ALL OTHER INFORMATION CONTAINED HEREIN IS PROPRIETARY AND THE PROPERTY OF FCI. This drawing may not be copied, reproduced or disclosed to any third party without the expressed written permission of FCI. © FCI April 1999		
2W POWER RCS800 PLUG V2	2W POWER RCS800 V2	EU-075587	NUMERO DE PLAN NO MODIFICATION		
TOLERANCES ±0.2 ; ±2°		MATERIE : SEE BOM		SURFACE FINISH ETAT DE SURFACE	
CONTRÔLE N°	CONTRÔLE N°	DATE	REV.	APPROVAL LEVEL	
1	1	20180907	IND.	A	
CREATED BY		NAME	TITLE	DRAWING NUMBER	
20180907		John FABRE	PROJECT	PCC0732943	
MODIFIED BY		DATE	REASON	REV. IND.	
20180907		John FABRE	PROJECT	1 A	
CHECKED BY		DATE	REASON	REVISIONS	
20180907		John FABRE	PROJECT	1 A	
APPROVED BY		DATE	REASON	APPROVAL LEVEL	
20180907		John FABRE	PROJECT	1 A	
FILE NAME	APP. PAR	DATE	REASON	APPROVAL LEVEL	
PCC0732943	John FABRE	20180907	PROJECT	1 A	