

SANYO Amorphous Silicon Solar Cells Specification

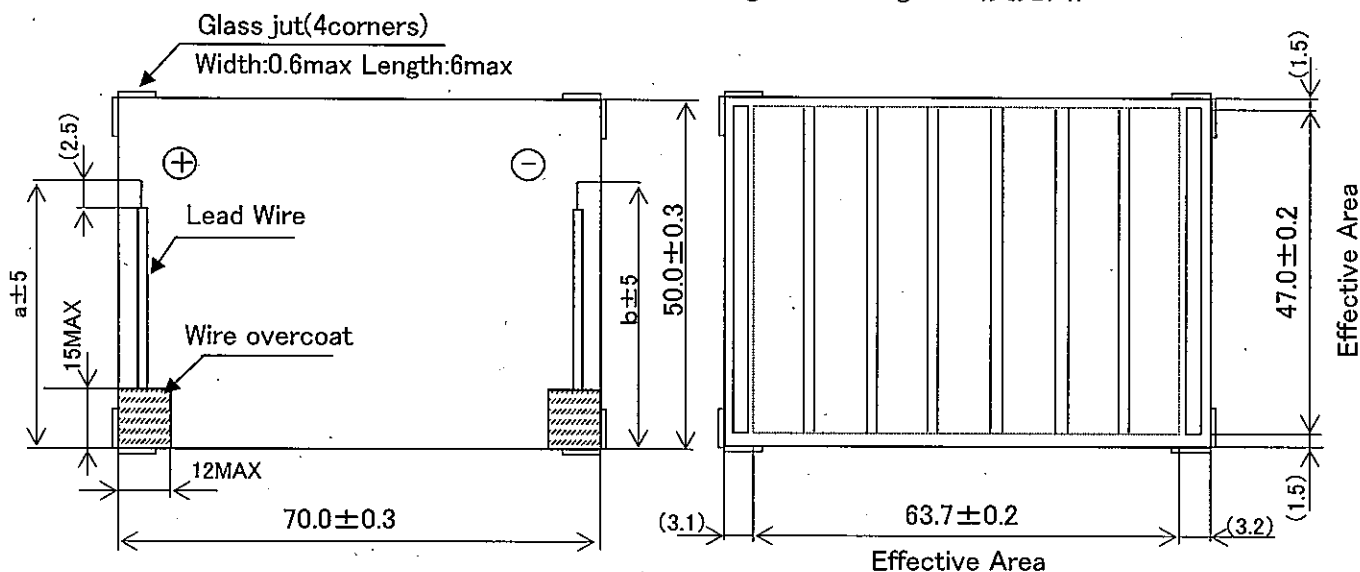
サンヨーアモルファスシリコン太陽電池 仕様

Model: AM-5706CAR

1. Outside dimensions 外形寸法

Overcoat Side(オーバーコート面)

Light Receiving Side(受光面)



(Dimension:mm)

Lead Wires : AWG30	
a :101	b :101

Note

Glass Substrate Thickness(ガラス基板厚): 1.1mm ± 0.1
 Module Thickness(モジュール厚): 1.3MAX(including overcoat)
 Wire-Overcoat Thickness : 2.5mmMAX(including Module)
 (リット線補正コート部厚)

2. Rated Specifications(at 25°C)

Items	Specifications(Initial)		
2.1 Opencircuit voltage:Voc 開放電圧	Typical	6.0 V	at 50kLx SS
2.2 Short circuit Current:Isc 短絡電流	Typical	22.6 mA	at 50kLx SS
2.3 Operating Voltage & Operating Current: Vo _{pe} -I _{ope} 動作特性	Typical	3.9 V- 21.0 mA	at 50kLx SS
	Typical	3.9 V- 45.9 mA	at AM-1.5 100mW/cm ²
2.4 Maximum output : P _{max} & optimum operating volt:V _{op} optimum operating current:I _{op} 最大出力	(reference)	88mW	V _{op} =4.6V I _{op} =19.1mA at 50kLx SS
	(reference)	186mW	V _{op} =4.6V I _{op} =40.5mA at AM-1.5 100mW/cm ²
2.5 Working temperature range 動作温度範囲	-10 to 60°C		
2.6 Storage temperature range 保存温度範囲	-20 to 70°C		

SS:Solar Simulator

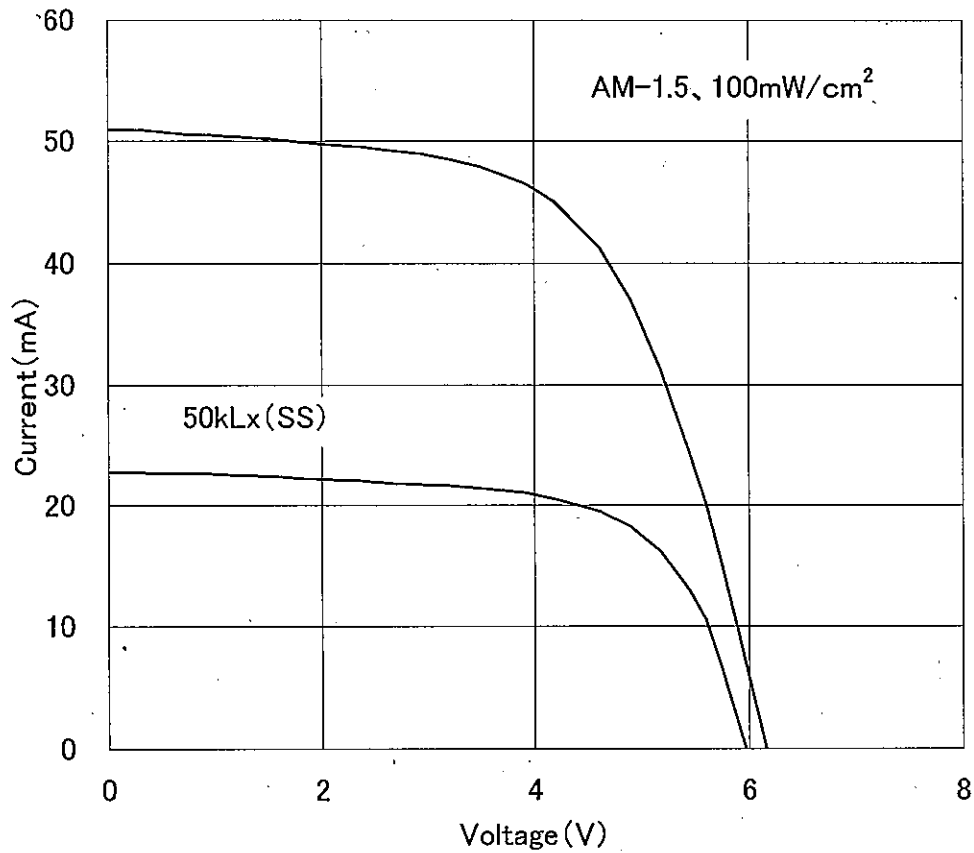
I - V Characteristics

REFERENCE

1. Model : AM-5706CAR

2. Outside Dimension : 70.0 mm × 50.0 mm

SS : Solar Simulator



*このデータは標準的な出力特性を示すものであり、特性を保証するものではありません。

*The data are meant to show standard electric characteristics only, not intended to guarantee the characteristics.

Kanto SANYO Semiconductors Co.,Ltd.

2008/7/8

出力の照度依存特性

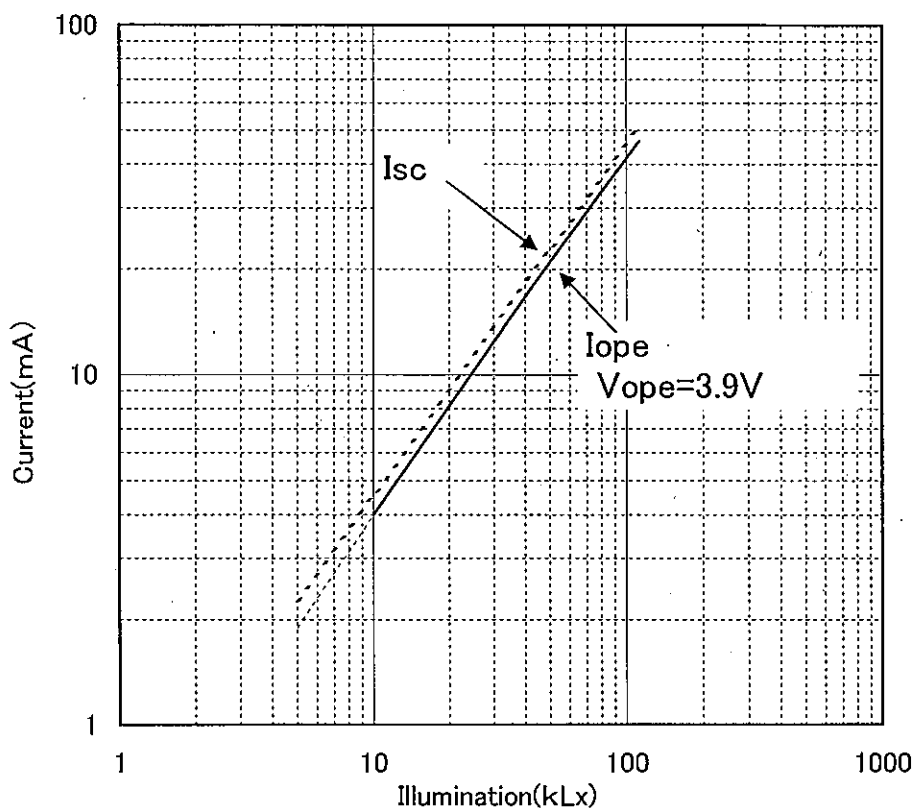
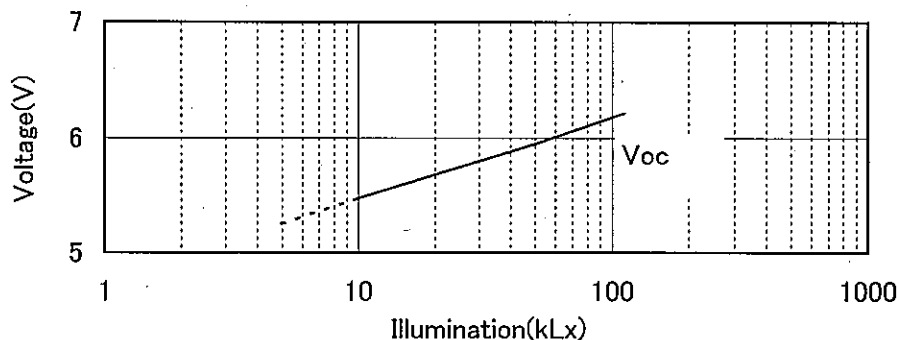
Dependence of Output on Illumination

REFERENCE

1. Model : AM-5706CAR

2. Outside Dimension : 70.0 mm × 50.0 mm

Measured at Solar Simulator (25°C)



*このデータは標準的な出力特性を示すものであり、特性を保証するものではありません。

*The data are meant to show standard electric characteristics only, not intended to guarantee the characteristics.

Kanto SANYO Semiconductors Co.,Ltd.

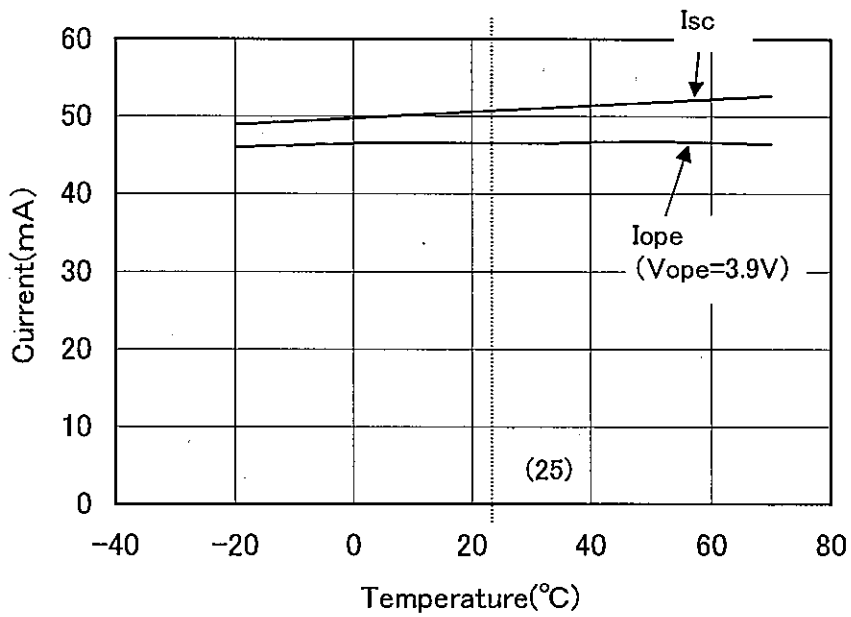
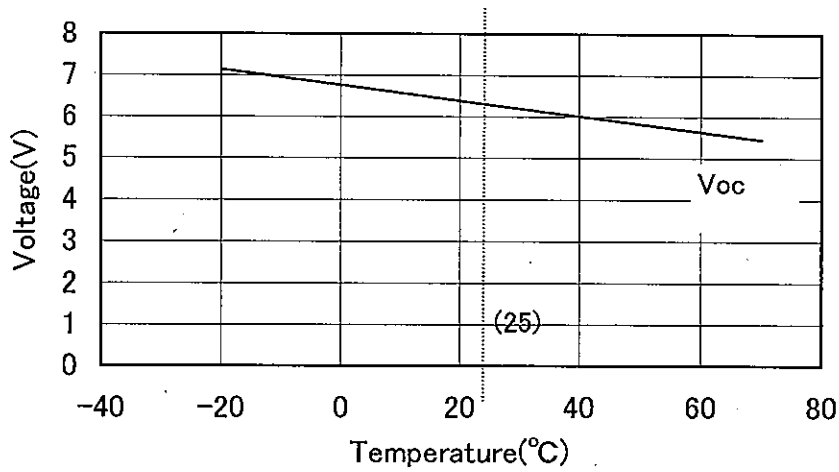
出力の温度依存特性

Dependence of Output on Temperature

REFERENCE

- 1. Model : AM-5706CAR
- 2. Outside Dimension : 70.0 mm × 50.0 mm

Measured at AM-1.5 100mW/cm²



*このデータは標準的な出力特性を示すものであり、特性を保証するものではありません。
 *The data are meant to show standard electric characteristics only, not intended to guarantee the characteristics.