

# Security caps

For switch series 12000 - 3500 - 600H - 6000

With standard bushing

Security caps prevent any inadvertent lever operation. When the cap is raised, the lever can be operated freely. When the cap is fully depressed, the lever is reset/locked in a stable position. They are designed for use on switches with  $\varnothing 11,9$  (.468) or  $\varnothing 12$  (.472) threaded bushing and lever length 17,5 (.688) outside bushing.

Note : For correct switch operation, the security cap should be adjusted properly by means of 2 nuts.

## MATERIALS

- Support plate : matt black steel
- Cap : thermoset or thermoplastic (20PN, 200PN, 300PN)

## MODEL STRUCTURE

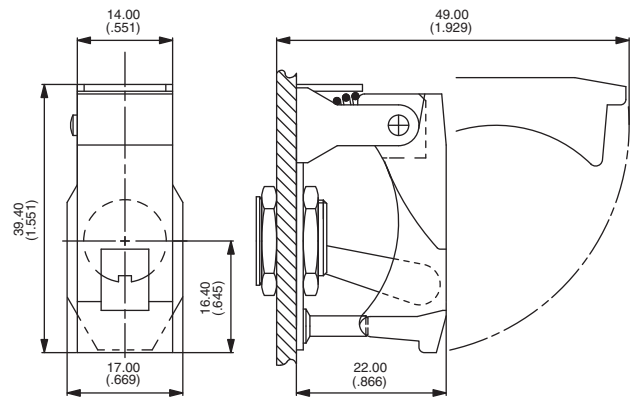


### Series 20 - for 2-position switches

- Lever returned then locked in down position (OFF)



Model No	Colour
22	Grey
23	White
24	Orange
25	Black
26	Red
27	Green
28	Yellow
29	Blue
25/28	Black/yellow striped

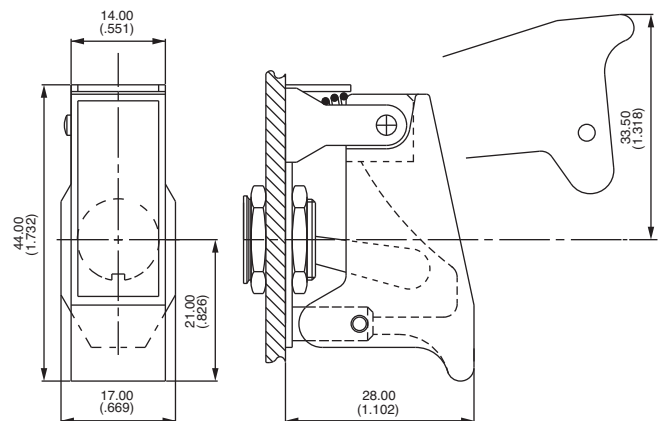


### Series 20PN - for 2-position switches

- Lever returned then locked in down position (OFF)



Model No	Colour
22PN	Grey
23PN	White
24PN	Orange
25PN	Black
26PN	Red
27PN	Green
28PN	Yellow
29PN	Blue



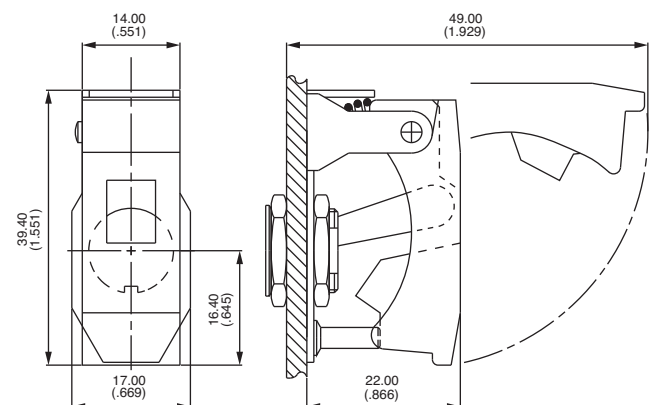
On this model, holes for wiring a seal are standard.

### Series 30 - for 3-position switches

- Lever returned then locked in upper position



Model No	Colour
32	Grey
33	White
34	Orange
35	Black
36	Red
37	Green
38	Yellow
39	Blue
35/38	Black/yellow striped



# Security caps

For switch series 12000 - 3500 - 600H - 6000

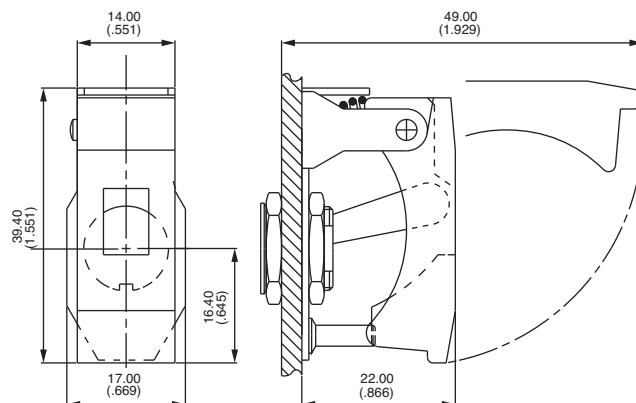
*With standard bushing*

## Series 40 - for 2-position switches

- Lever returned then locked in upper position



Model No	Colour
42	Grey
43	White
44	Orange
45	Black
46	Red
47	Green
48	Yellow
49	Blue
45/48	Black/yellow striped



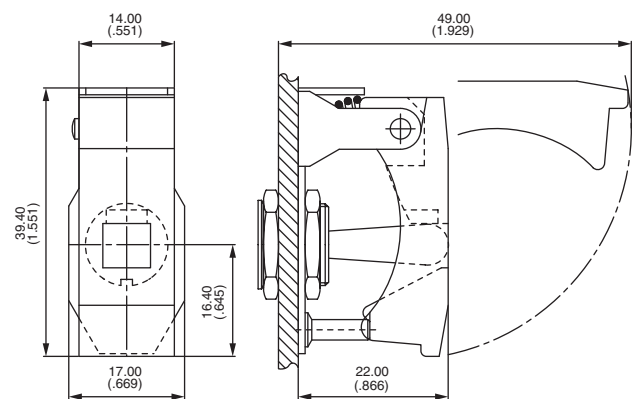
Model 140 (with smaller aperture) recommended for the 12000 series.

## Series 80 - for 3-position switches

- Lever returned then locked in center position



Model No	Colour
82	Grey
83	White
84	Orange
85	Black
86	Red
87	Green
88	Yellow
89	Blue

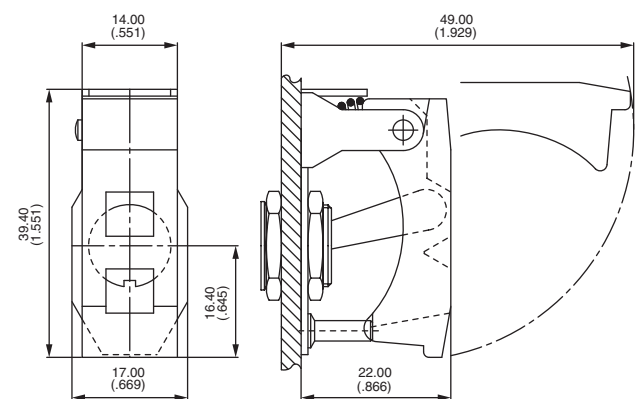


## Series 200 - for 2-position switches

- Lever returned then locked either in lower or in upper position



Model No	Colour
202	Grey
203	White
204	Orange
205	Black
206	Red
207	Green
208	Yellow
209	Blue

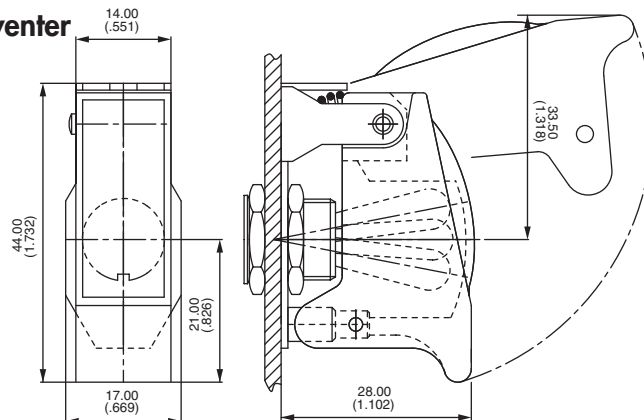


## Series 200PN - for 2 or 3-position switches - action preventer

- Lever not locked, but protected in the position where left by the user



Model No	Colour
202PN	Grey
203PN	White
204PN	Orange
205PN	Black
206PN	Red
207PN	Green
208PN	Yellow
209PN	Blue



# Security caps

For switch series 12000 - 3500 - 600H - 6000

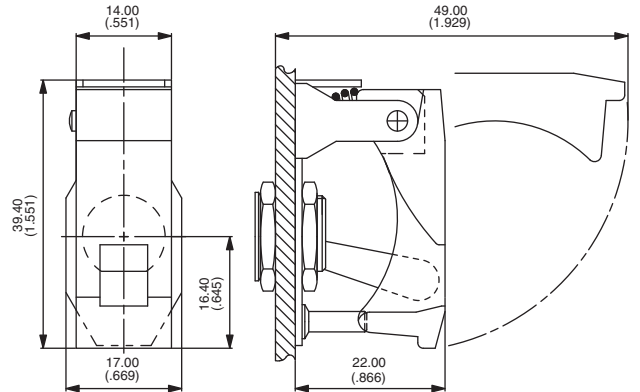
With flatted bushing

## Series 50 - for 2-position switches

- Lever returned then locked in down position (OFF)



Model No	Colour
52	Grey
53	White
54	Orange
55	Black
56	Red
57	Green
58	Yellow
59	Blue
55/58	Black/yellow striped

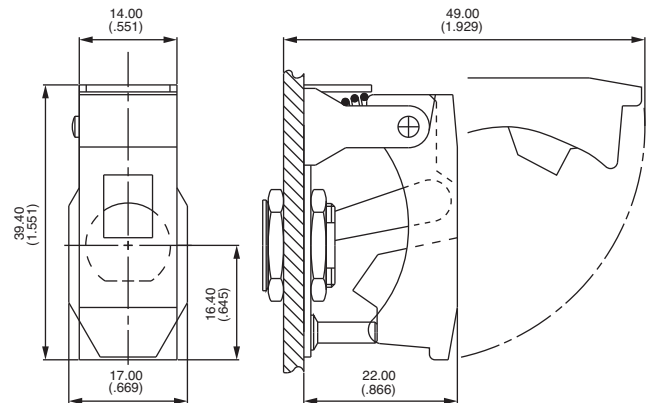


## Series 60 - for 3-position switches

- Lever returned then locked in upper position



Model No	Colour
62	Grey
63	White
64	Orange
65	Black
66	Red
67	Green
68	Yellow
69	Blue
65/68	Black/yellow striped

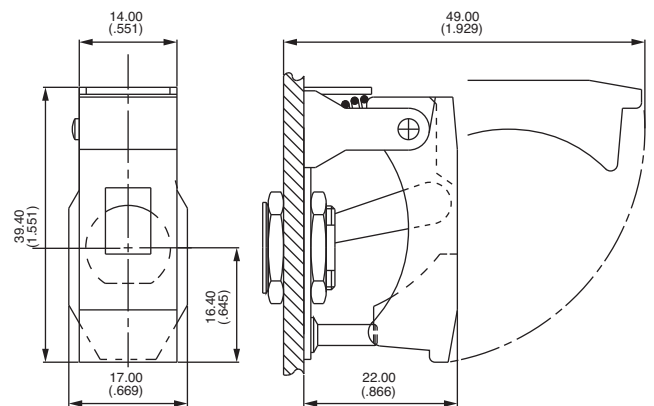


## Series 70 - for 2-position switches

- Lever returned then locked in upper position



Model No	Colour
72	Grey
73	White
74	Orange
75	Black
76	Red
77	Green
78	Yellow
79	Blue
75/78	Black/yellow striped



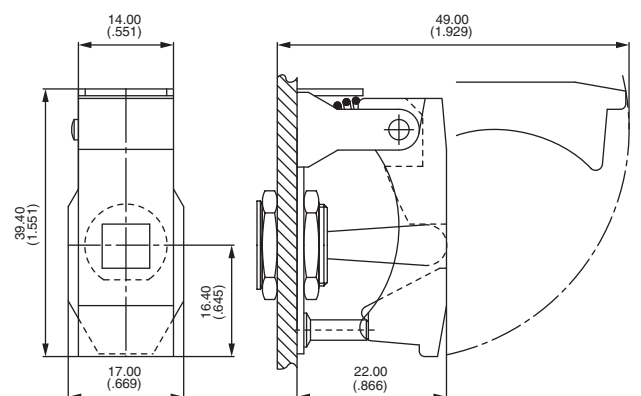
Model 170 (with smaller aperture) recommended for the 12000 series.

## Series 100 - for 3-position switches

- Lever returned then locked in center position



Model No	Colour
102	Grey
103	White
104	Orange
105	Black
106	Red
107	Green
108	Yellow
109	Blue



# Security caps

For switch series 12000 - 3500 - 600H - 6000

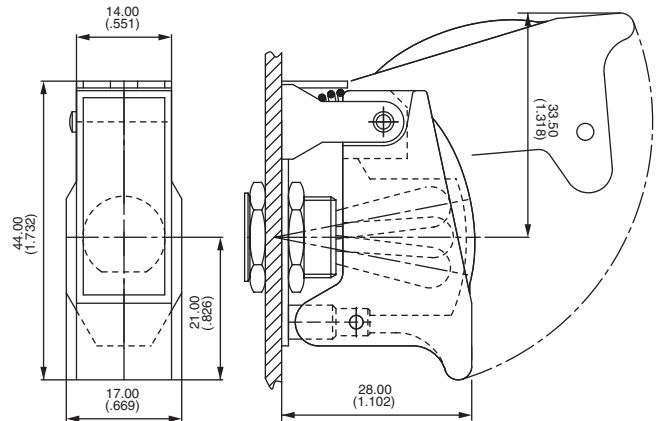
*With flatted bushing*

## Series 300PN - for 2 or 3-position switches

- Lever not locked, but protected in the position where left by the user.



Model No	Colour
302PN	Grey
303PN	White
304PN	Orange
305PN	Black
306PN	Red
307PN	Green
308PN	Yellow
309PN	Blue

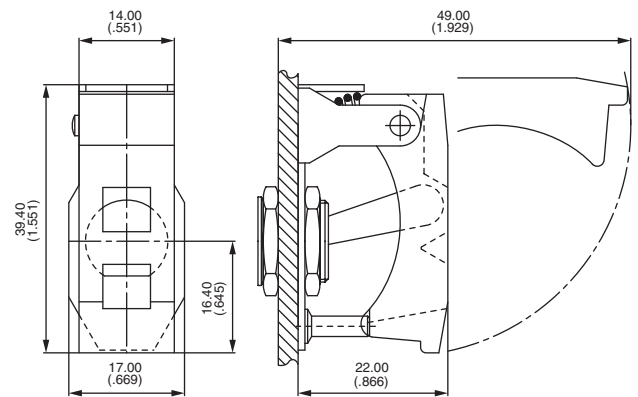


## Series 500 - for 2-position switches

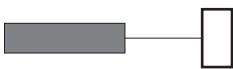
- Lever returned then locked either in lower or in upper position



Model No	Colour
502	Grey
503	White
504	Orange
505	Black
506	Red
507	Green
508	Yellow
509	Blue

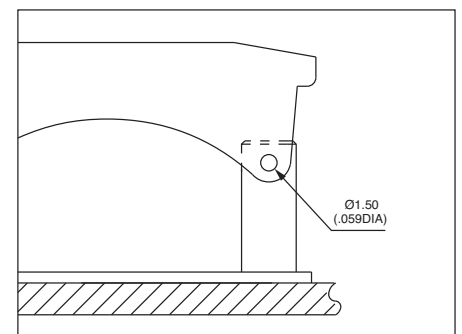


## OPTIONS



**P** Holes for wiring a seal

Cap engraving available : consult factory.



# Security caps

For switch series 3500 - 600H - 6000

With standard or flatted bushing

## Series 90

- Lever locked in center position

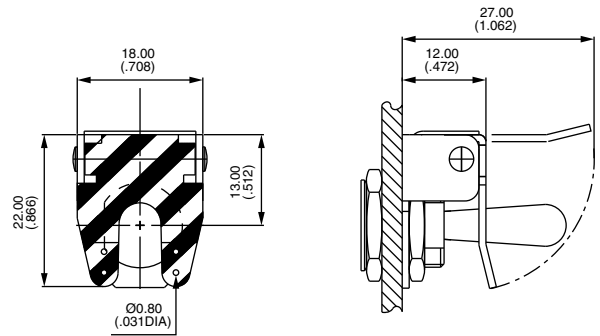


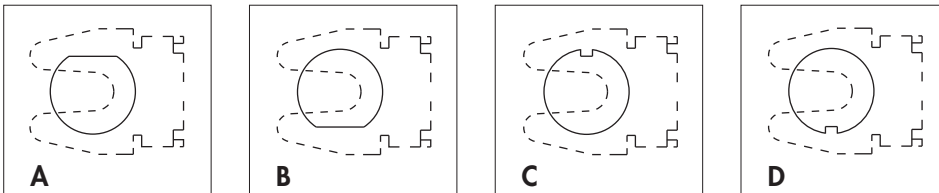
Plate features holes for wiring a seal.

To build a part number, select desired option from each category here below.

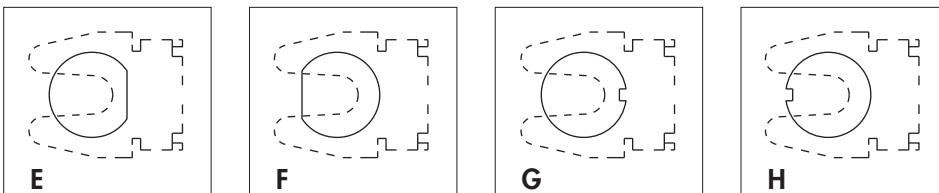
### BUSHING SHAPES



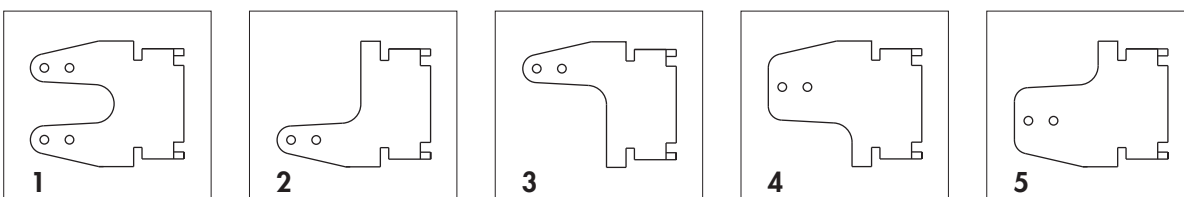
For standard products



For other products



### SECURITY CAP SHAPE



1  
Locks in center position

2  
Prevents down position

3  
Prevents up position

4  
Locks in down position

5  
Locks in up position

# Security caps

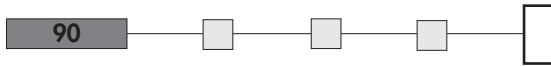
For switch series 3500 - 600H - 6000 (continued) - For pushbutton series 13000

## SECURITY CAP COLOURS

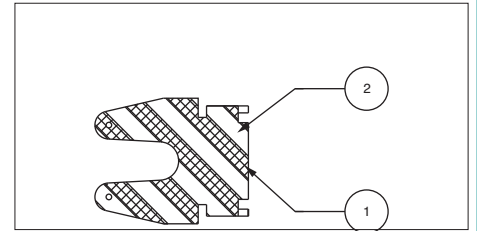


1	Blue
2	Black
3	Green
4	Grey
5	Yellow
6	Red
7/1	White
9	Orange
0	Striped (see below)

## COLOUR OF STRIPES



	Stripe ①	Stripe ②
A	Red	Black
B	Yellow	Black
C	Red	White
D	White	Black



## Series 90AX2328 for pushbutton series 13000 with Ø 11,9 (15/32) bushing

- Spring-loaded cover returning automatically in lower position. The user has to keep the cover raised while actuating the switch.



Model No	Colour
90AX2328-27	Black with white stripe
90AX2328-67	Red with white stripe

