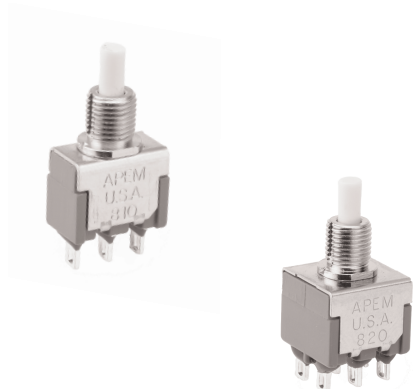


800 series

Snap-action momentary pushbutton switches

Distinctive features and specifications



- Panel and PC mount models
- Snap-in panel mounting version
- Tactile feedback

ELECTRICAL SPECIFICATIONS

- Max. current/voltage rating with resistive load :
 - gold over nickel plated brass contacts : 0.4VA - 20V max.
 - coin silver contacts : 6A 125VAC, 3A 250VAC, 7A 30VDC
- Initial contact resistance : 20 mΩ max.
- Insulation resistance : 2,000 MΩ min. between terminals & case ground.
- Dielectric strength : 1,500 VAC for 1 minute between terminals & case ground.
- Electrical life : 60.000 cycles at full load

MATERIALS

- Case : DAP
- Actuator : polyamide, glass filled
- Bushing : brass, nickel plated
- Strap : stainless steel
- Bracket : tin plated steel or brass
- Contacts
 - B**: Gold
 - Q**: Coin Silver
- Terminal seal : epoxy

GENERAL SPECIFICATIONS

- Total travel : 0.9mm (.035)
- Actuation force:
 - Single pole: 290+/- 75g
 - Double pole: 550+/- 75g
- Operating temperature : -30°C to +85°C
- Soldering : 300°C, 3 sec. max.

AGENCY APPROVAL



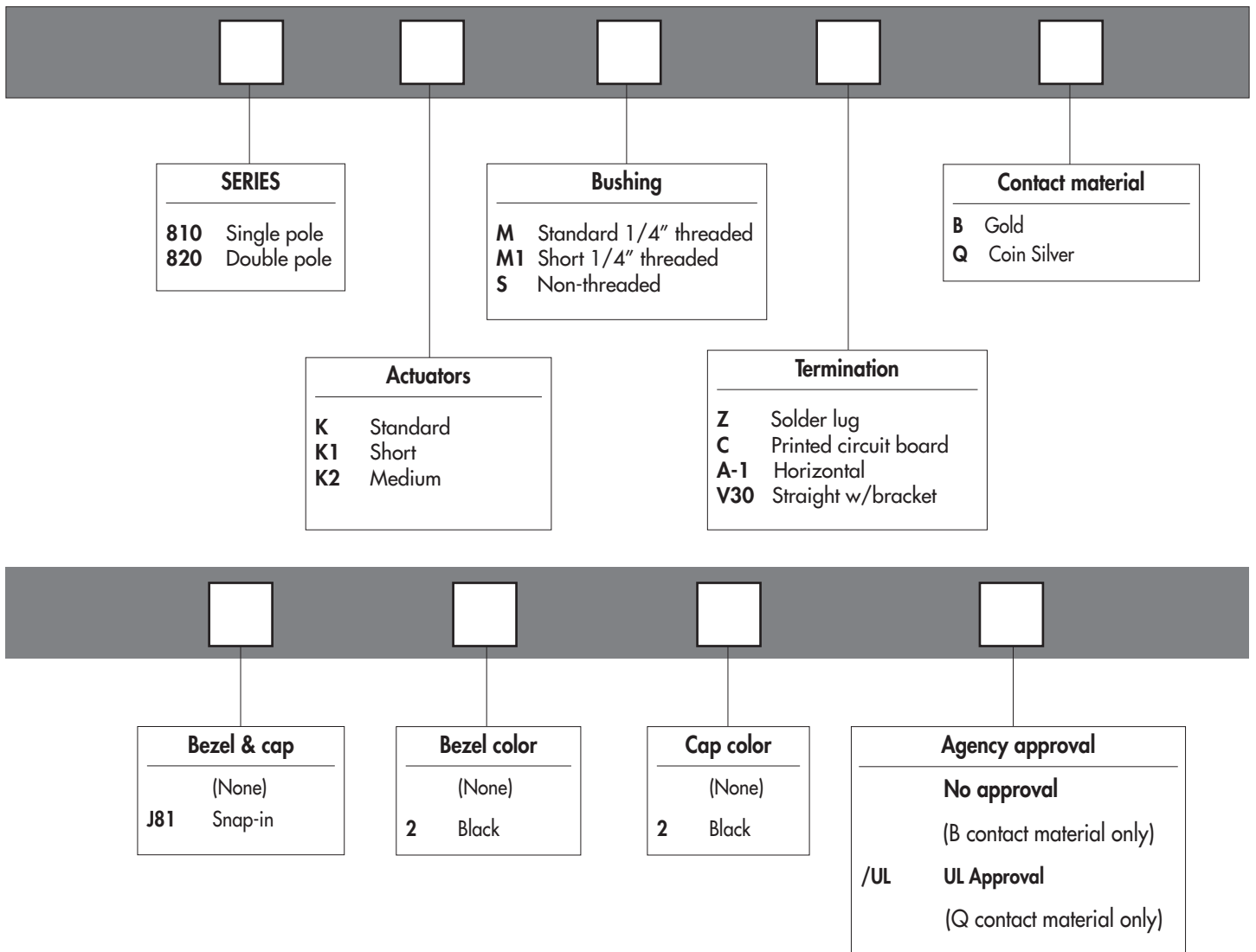
Availability: All models with coin silver contacts (Q) only.

Marking: To order switches marked UL, complete appropriate box on ordering format.

800 series

Snap-action momentary pushbutton switches

B



ABOUT THIS SERIES

On the following pages, you will find successively :

- model structure of switches
- options in the same order as in above chart

Dimensions : first dimensions are in mm while inches are shown as bracketed numbers.



Sealing boots are available to protect the switches against dust and water. They are presented in section H.



Mounting accessories : standard hardware supplied with all models with $\varnothing 6,35$ (1/4) threaded bushing :
2 - 5/16" hex nuts , 1 locking ring and 1 lockwasher.
Standard and special hardware available are presented in section I.



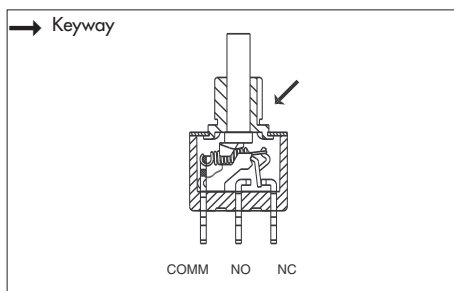
Packaging unit : 25 pieces for double pole
50 pieces for single pole



NOTICE : please note that not all combinations of above numbers are available. Refer to the following pages for further information.

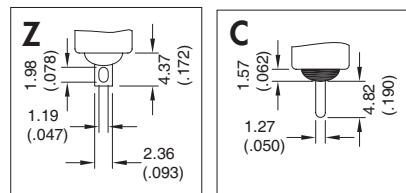
800 series

Snap-action momentary pushbutton switches



Terminations

- Solder lug or straight PC terminals
- Epoxy sealed terminals standard



Shown with standard plunger (K)

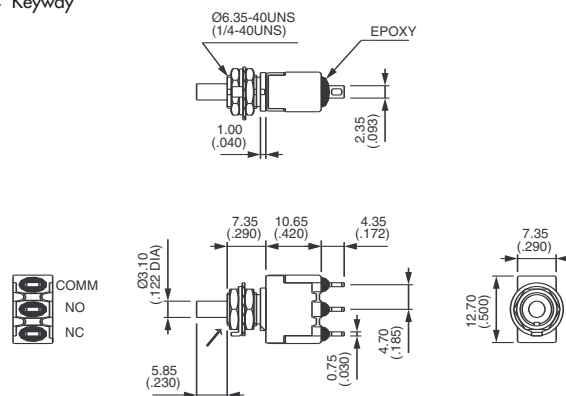
Solder lug terminals



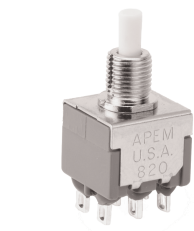
810KMZ



→ Keyway



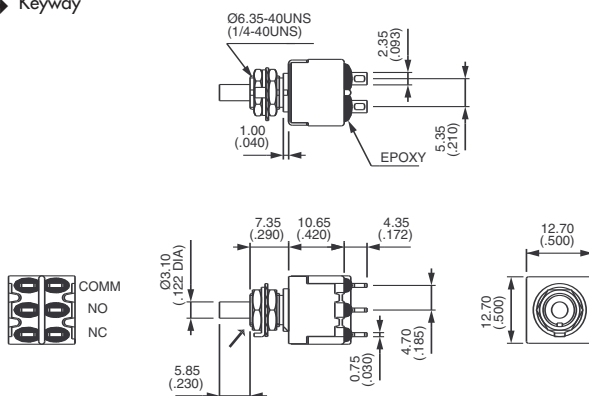
Solder lug terminals



820KMZ



→ Keyway



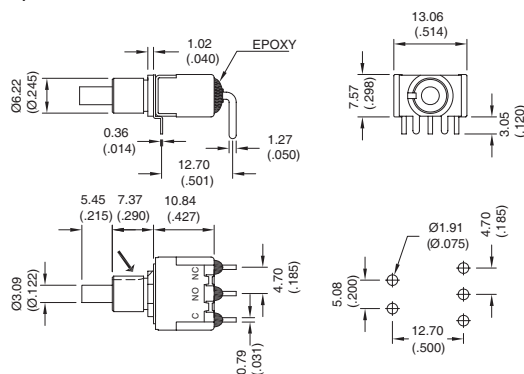
Horizontal right angle



810KSA-1



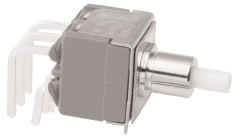
→ Keyway



800 series

Snap-action momentary pushbutton switches

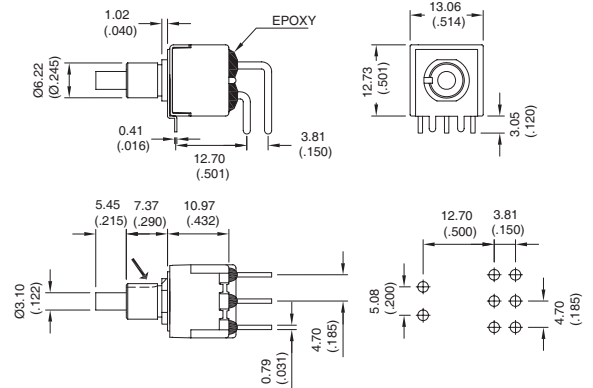
Horizontal angle



820KSA-1



→ Keyway



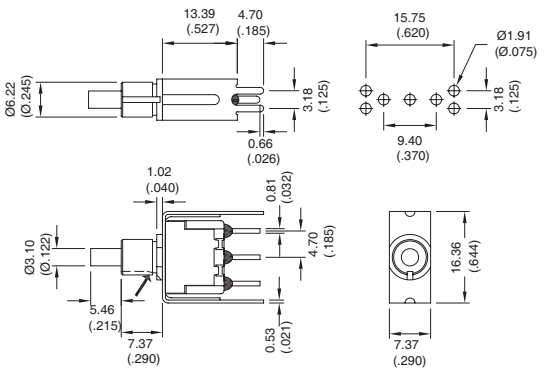
Straight PC terminals with bracket



810KSV30



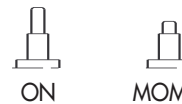
→ Keyway



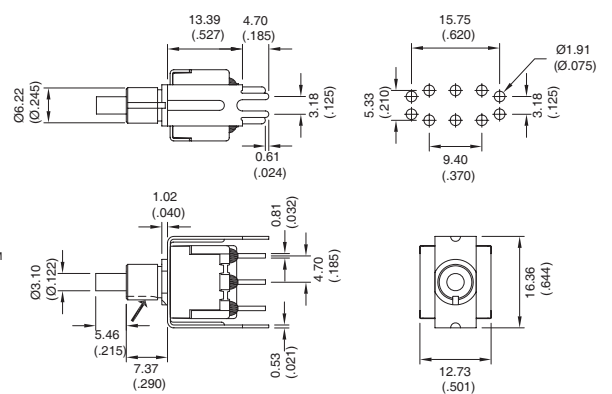
Straight PC terminals with bracket



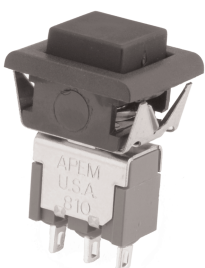
820KSV30



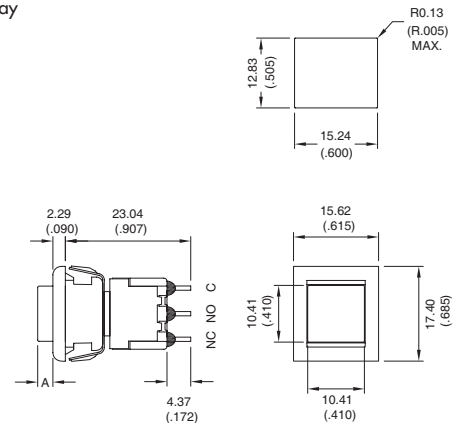
→ Keyway



Solder lug terminals with snap-in bezel



→ Keyway



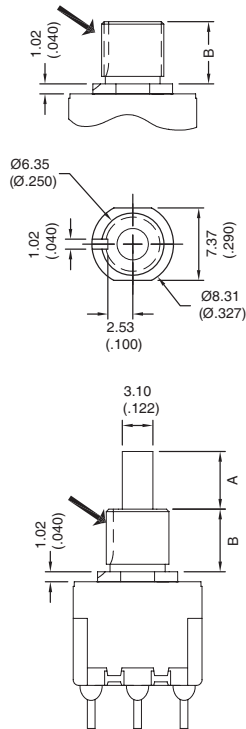
MODEL NUMBER	DIM. A
810K2M1ZQJ8122	2.54 [.100]
810K1M1ZQJ8122	0.25 [.010]

800 series

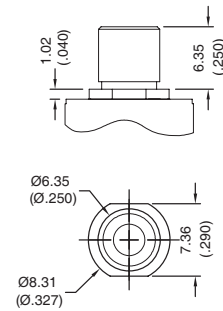
Snap-action momentary pushbutton switches

Actuator & bushing options

M & M1



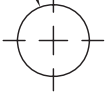
S



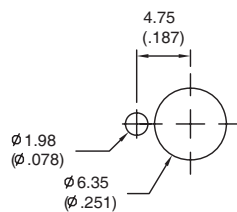
BUSHING OPTION	DIM. B	DIMENSION A ACTUATOR OPTION		
		K	K1	K2
M	6.35 (.250)	5.84 (.230)	.069 (1.75)	4.27 (.168)
S	6.35 (.250)	5.84 (.230)	.069 (1.75)	4.27 (.168)
M1	3.91 (.154)	8.18 (.322)	4.91 (.165)	6.70 (.264)

Panel cut-outs

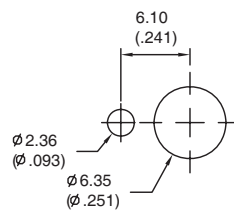
Ø 6.35
(Ø .251)



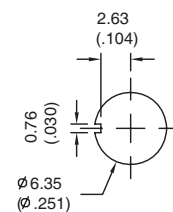
Without keying



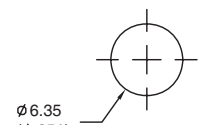
With A107 anti-rotating
ring



With A158 anti-rotating
ring



With slotted keyway



Accepts all 1/4" non-
threaded bushings

Contact materials

B

Dry circuit - gold over nickel over brass.

RATING: 0.4 Volt-Amps (VA) max. at 20 V max.

ELECTRIC LIFE: 60,000 cycles minimum. MECHANICAL LIFE: 500,000 cycles minimum.

Q

Power circuit - coin silver.

RATING: 6 Amps at 125 VAC, 3 Amps at 250 VAC or 7 Amps at 30 VDC (resistive loads).

ELECTRIC LIFE: 60,000 cycles minimum at full load.

800 series

Snap-action momentary pushbutton switches

Approvals

/UL For power circuits - coin silver
RATING: 6 Amps at 125 VAC or 3 Amps at 250 VAC (75% power factor).
Underwriter Laboratories file no. E66367. Note - applicable only to terminations with coin silver contacts (Q option).

Hardware

