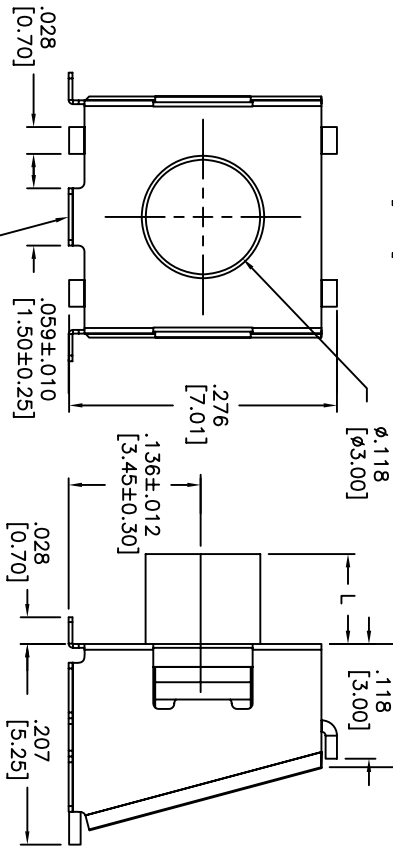
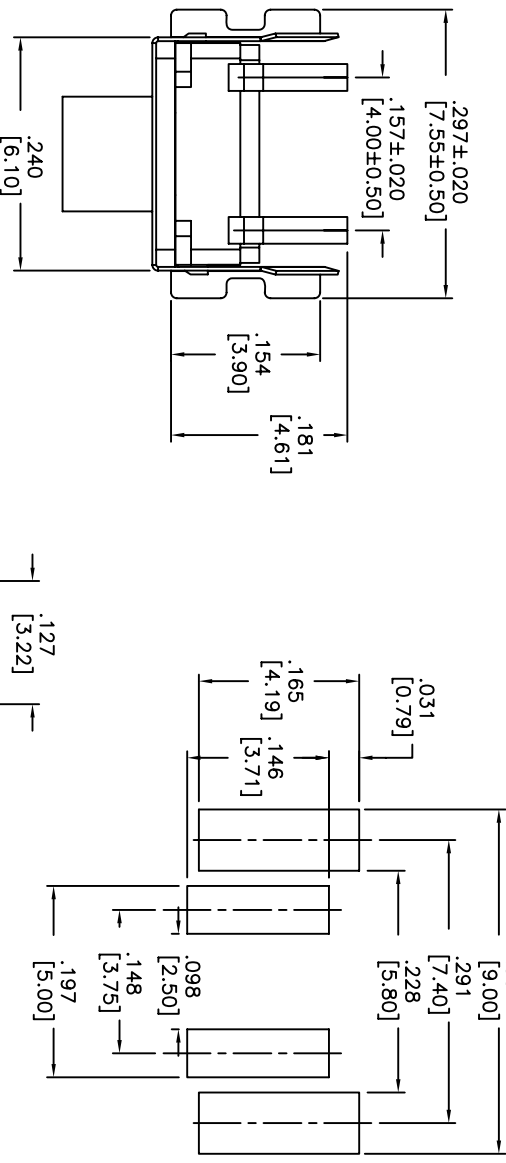


THIS DOCUMENT IS THE PROPERTY OF APDM COMPONENTS AND SHALL NOT BE COPIED, REPRODUCED, DISCLOSED OR USED AS THE BASIS FOR MANUFACTURING OR SALE WITHOUT PERMISSION OF A DULY AUTHORIZED REPRESENTATIVE OF APDM COMPONENTS INC.

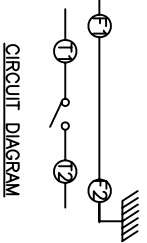
P.C.B. LAYOUT  
UNLESS OTHERWISE SPECIFIED  
P.C. TOLERANCES ARE ±.004 [0.10]



SUPPORT TERMINAL

PRODUCT SERIES: ATA\*\*G\*\*\*V\*  
S=WITH SUPPORT TERMINAL  
=WITHOUT SUPPORT TERMINAL  
DIM "L" STEM HEIGHT:  
PACKAGE STYLE:  
T/R=TAPE AND REEL  
=BULK PACK  
SOLDERING:  
V=LEAD FREE  
OPERATION FORCE:  
N=BROWN, 180gf  
R=RED, 260gf

00=0  
08=.031 [0.80]  
10=.039 [1.00]  
23=.093 [2.35]  
33=.130 [3.30]



DESCRIPTION: RIGHT ANGLE MECHANICAL CONTACT SWITCH.  
SPECIFICATIONS:  
STROKE: .018±.008 [0.45±0.2]  
OPERATION TEMPERATURE RANGE: -25°C TO +70°C  
STORAGE TEMPERATURE RANGE: -30°C TO +80°C  
VIBRATION TEST: PASSES METHOD 201A  
MIL-STD-202F:  
SHOCK TEST: 50G PER METHOD 213B MIL-STD202F.  
ELECTRICAL LIFE: 500,000 CYCLES.  
RATING: 50mA, 12VDC.  
CONTACT RESISTANCE: 100mΩ MAX.  
INSULATION RESISTANCE: 100MΩ MIN. 500VDC.  
DIELECTRIC STRENGTH: 250VAC/1 MINUTE.  
CONTACT ARRANGEMENT: 1 POLE 1 THROW.  
MATERIALS:  
COVER: NICKEL SILVER.  
STEM: SILICONE RUBBER.  
TERMINAL: BRASS WITH SILVER PLATING.  
BASE: UL94V-0 HIGH-TEMP. THERMOPLASTIC.  
COLOR: BLACK.  
CONTACT: PHOSPHOR BRONZE WITH SILVER CLADDING.  
SOLDERING:  
HAND: 30 WATT IRON AT 350° FOR 5 SECONDS.  
IR REFLOW & VAPOR PHASE: 255°C MAX.  
ROHS COMPLIANT.  
LEAD FREE PROCESS COMPATIBLE.

DATE	SYM	REVISION RECORD	DWN.	CK.
4/07	B	ECO# 658	CD	PD
12/07	C	ECO# 734	CD	PD

<b>Q.A. INSPECT:</b> 		<b>DESIGNER'S INITIAL:</b> DIMENSION		<b>DRN. CJD</b>	
<b>TOLERANCES (UNLESS OTHERWISE SPECIFIED):</b> .XX=±.02[0.05] .XXX=±.0008[0.02] .XXXX=±.0008[0.02] ANGLE = 30.5°		<b>SHEET 1 OF 1</b>		<b>OR. PJD</b>	
<b>TITLE</b> RIGHT ANGLE TACT SWITCH		<b>SIZE</b> B		<b>SCALE</b> 8:1	
<b>DATE</b> 8/8/05		<b>DRAWING NO.</b> ATAS)6***V*		<b>REV</b> C	

1 2 3 4 5 6 7 8