

VL series

Panel mount LED indicators

Distinctive features and specifications

New!

UG1006-A

- Indicators with built-in LED
New colours : blue and white
- Antirotation flatted bushing
- 2 bushing diameters : 6 mm (.236) and 8 mm (.314)
- Sealed or unsealed
- Bright or matt black chrome finish

ELECTRICAL SPECIFICATIONS

- Insulation resistance : 1.000 M Ω min.
- Dielectric strength : 250 Vrms 50 Hz min.
- Electrical life at high temperature : 72 H at 85°C

LED specifications (TA 25°C)

- Forward voltage : 2VDC ($\leq 2,6V$)
- Nominal current : 10mA
- Max. surge current (tp < 10 μ s) : 0,5A
- Max. reversed voltage : 25V
- Max. forward current : 40mA
- Max. power dissipation : 100mW
- Correct polarity of D.C supply to diode electrodes must be observed :
 - longer lead : anode (+)
 - shorter lead : cathode (-) on flat side of bushing (see drawings).
- The LED is not removable.

MATERIALS

- Bushing and collar : brass, bright or matt black chrome plated
- Lens : polycarbonate
- LED

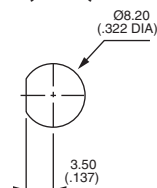
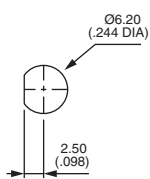
GENERAL SPECIFICATIONS

- Torque : 1,25 Nm (.922 Ft.lb) max. applied to nut
- Climatic category : 40/085/21
- Protection level for sealed models: IP 67 according to IEC 529
- In accordance with NFC 93680 standard

PANEL CUT-OUT

For \varnothing 6 (.236)

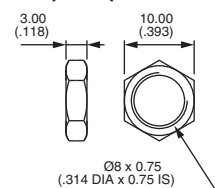
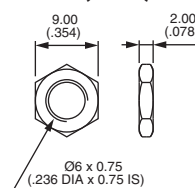
For \varnothing 8 (.314)



STANDARD HARDWARE

For \varnothing 6 (.236)

For \varnothing 8 (.314)



ABOUT THIS SERIES

Complete part numbers are shown on the following pages.

Dimensions : first dimensions are in mm while inches are shown as bracketted numbers.



Mounting accessories : standard hardware supplied with all models : nickel plated hex nut 9 mm (.354) across flats for indicators \varnothing 6 (.236) or 10 mm (.393) across flats for indicators \varnothing 8 (.314).



Packaging unit : 50 pieces.

VL series

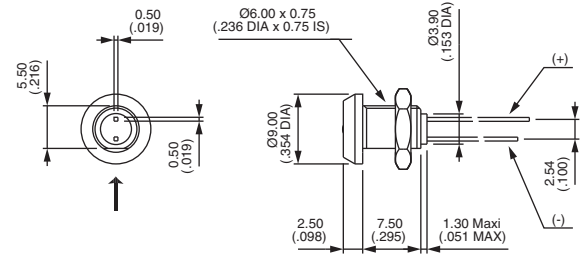
Panel mount LED indicators

Diameter 6 (.236) - unsealed



LED colour	Bright finish (standard)	Matt black finish
Red	VL1000P600	VL100GP600
Yellow	VL1000P500	VL100GP500
Green	VL1000P300	VL100GP300
Blue	VL1000P100	VL100GP100
White	VL1000P700	VL100GP700

→ Flat



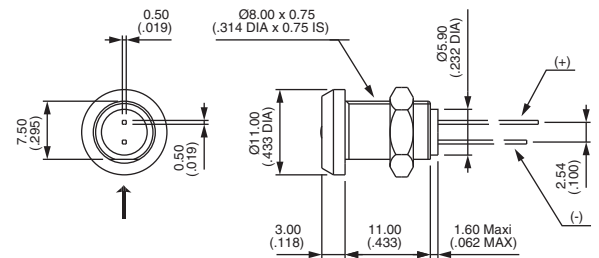
Max. panel thickness 5,50 (.216)

Diameter 8 (.314) - unsealed



LED colour	Bright finish (standard)	Matt black finish
Red	VL3000P600	VL300GP600
Yellow	VL3000P500	VL300GP500
Green	VL3000P300	VL300GP300
Blue	VL3000P100	VL300GP100
White	VL3000P700	VL300GP700

→ Flat



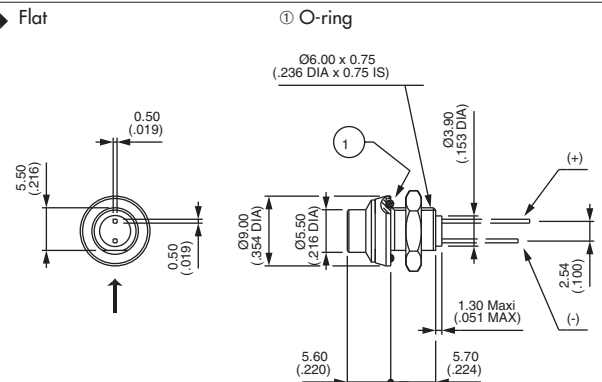
Max. panel thickness 8 (.314)

Diameter 6 (.236) - sealed



LED colour	Bright finish (standard)	Matt black finish
Red	VL1CK0P600	VL1CKGP600
Yellow	VL1CK0P500	VL1CKGP500
Green	VL1CK0P300	VL1CKGP300
Blue	VL1CK0P100	VL1CKGP100
White	VL1CK0P700	VL1CKGP700

→ Flat



Lens cap in the same colour as the LED.

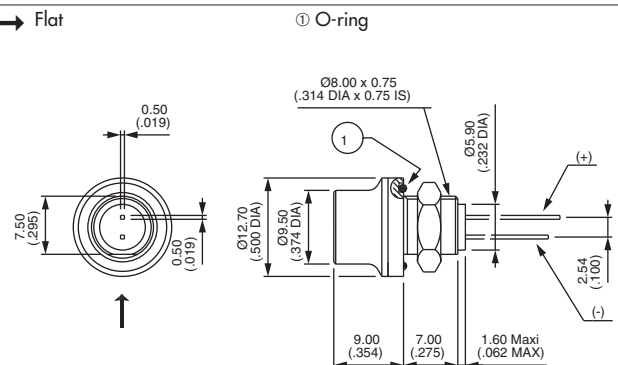
Max. panel thickness 3,70 (.145)

Diameter 8 (.314) - sealed



LED colour	Bright finish (standard)	Matt black finish
Red	VL3CK0P600	VL3CKGP600
Yellow	VL3CK0P500	VL3CKGP500
Green	VL3CK0P300	VL3CKGP300
Blue	VL3CK0P100	VL3CKGP100
White	VL3CK0P700	VL3CKGP700

→ Flat



Lens cap in the same colour as the LED.

Max. panel thickness 4 (.157)

Option : Bushing without flat, lockwasher : on request.