

LOC		DIST		REVISIONS			
P	LR	DESCRIPTION	DATE	BY	APPD		
0		REVISED PER 063B-0490-03	6/16/04	SS	SRY		

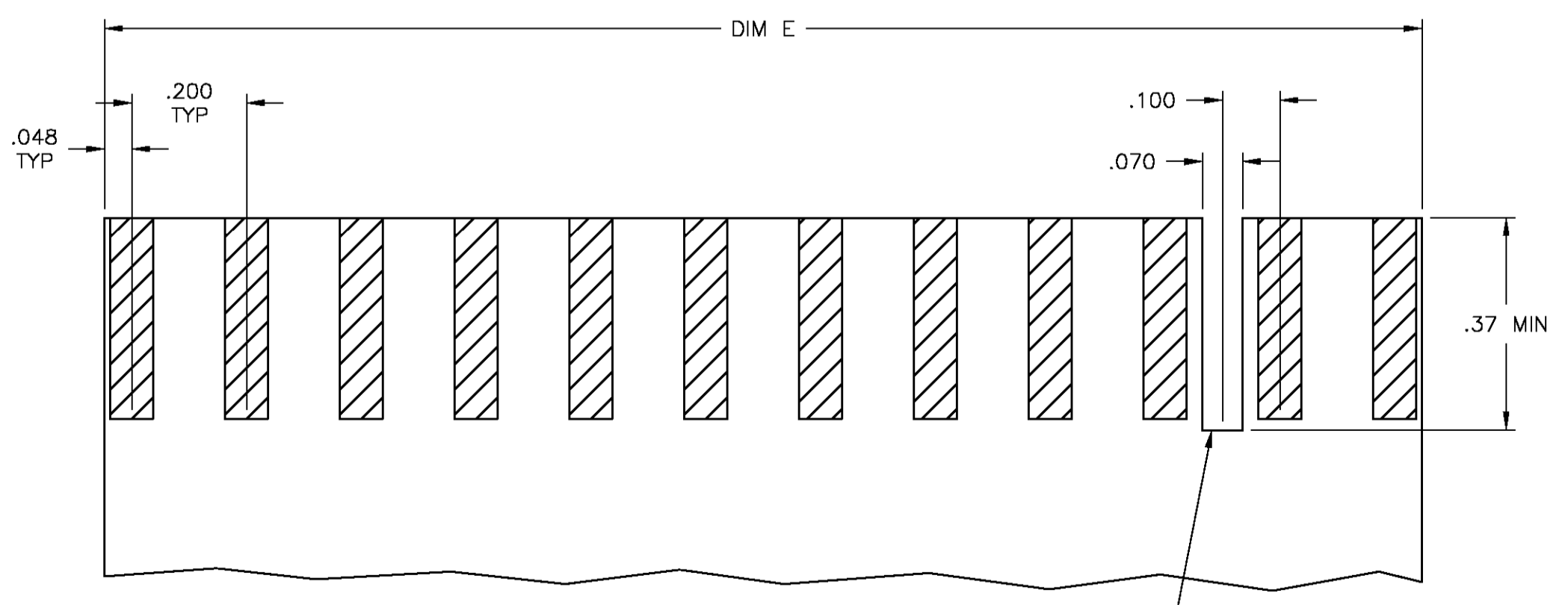
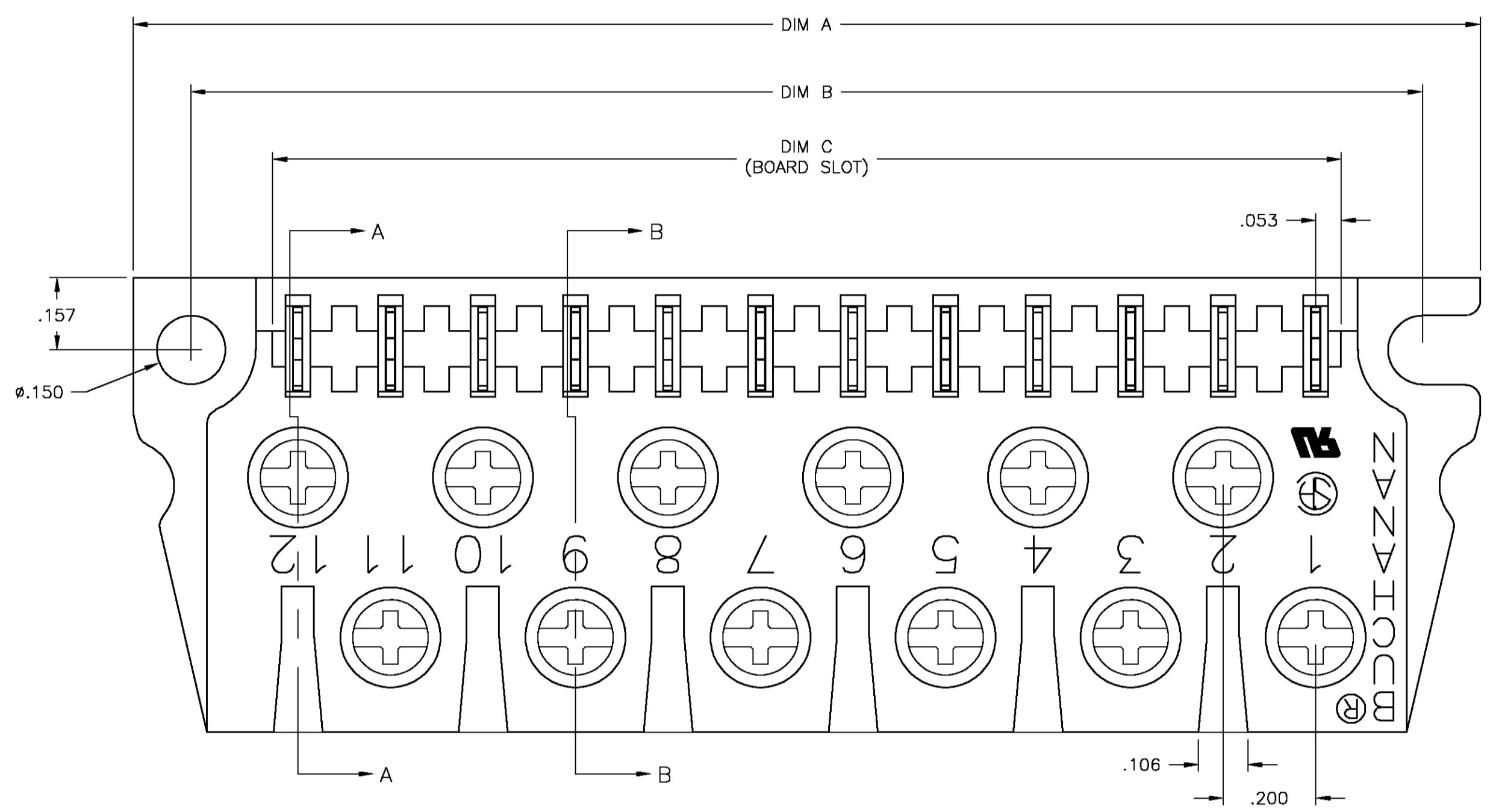
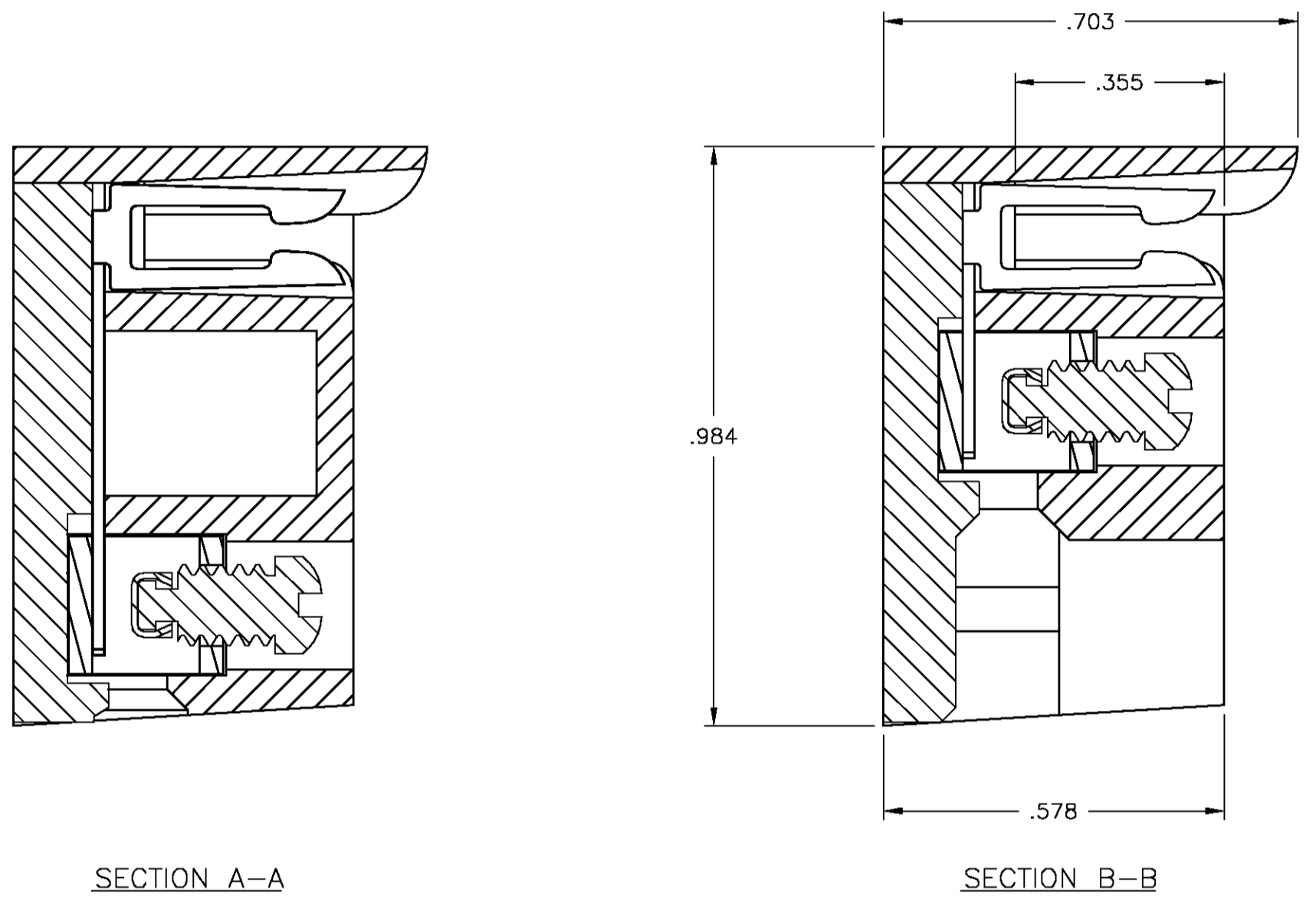
**NOTES:**

**MATERIAL:**  
 HOUSING: POLYESTER, UL94V-0, WHITE.  
 TUBULAR CONTACT: BRASS.  
 PC CONTACT: PHOSPHOR BRONZE, SELECT GOLD OVER NICKEL PLATE.  
 SCREW: 6-32, STEEL, ZINC CHROMATE FINISH.  
 CLAMP: BRASS

**MECHANICAL:**  
 PITCH: .200"  
 WIRE STRIP LENGTH: .25"  
 RECOMMENDED TIGHTENING TORQUE: 5-8 IN.-LBS.  
 BOARD INSERTION FORCE: 5.6 OZ. PER CKT.  
 BOARD SEPARATION FORCE: 1.8 OZ. PER CKT

**ELECTRICAL:**  
 MAX CURRENT: 10A.  
 OPERATING VOLTAGE: 250V.  
 DIELECTRIC WITHSTAND: 2500V  
 WIRE RANGE: #12 STRANDED ONLY.  
 INSULATION RESISTANCE:  
 CONTACT RESISTANCE:

**ENVIRONMENTAL:**  
 OPERATING TEMP.: -65°C TO +140°C.



OPTIONAL POLARIZING NOTCH  
 LOCATION PER CUSTOMER REQUIREMENT  
 USE OPTIONAL POLARIZING KEY CAT. NO. PC17

RECOMMENDED PCB LAYOUT

7.095	7.110	7.470	7.720	36	PCB1A36A	1-1437410-6
5.895	5.910	6.270	6.520	30	PCB1A30A	1-1437410-4
4.695	4.710	5.070	5.320	24	PCB1A24A	1-1437410-2
3.495	3.510	3.870	4.120	18	PCB1A18A	1-1437410-0
2.295	2.310	2.670	2.920	12	PCB1A12A	1437410-8
DIM E	DIM C	DIM B	DIM A	NO. OF POS.	CATALOG NUMBER	PART NUMBER

THIS DRAWING IS A CONTROLLED DOCUMENT.

DIMENSIONS: INCHES	TOLERANCES UNLESS OTHERWISE SPECIFIED:	DWG S: SCHLEGEL	16JUN04	6/16/04	CHK S: YODER	APPROVED S: YODER	6/16/04	NAME	PCB1A ASSEMBLY SELECT GOLD PLATE
0 PLC ± -	1 PLC ± -	2 PLC ± .02	3 PLC ± .005	4 PLC ± -	ANGLES ± 1°	MATERIAL	FINISH	SIZE	A1
		WEIGHT		A1 00779		C=1437410-8		RESTRICTED TO	-
		CUSTOMER DRAWING		SCALE 4:1		SHEET 1 OF 1		REV 0	

BUCHANAN Tyco Electronics Corporation  
 Harrisburg, Pa 17105-3608