

### 14.5MM PITCH, 65A—SERIES TSB2000

#### PHYSICAL PROPERTIES

##### Housing:

HOUSING MATERIAL: Polyamide 6  
FLAMMABILITY: UL94V-2  
COLOR: Natural (off white)

##### Terminal:

TUBULAR CONTACT: Brass, tin plated  
SCREW: Steel, M3.5  
SCREW PLATING: Zinc with chromate  
WIRE PROTECTOR: Stainless steel  
TUNNEL CONNECTION: Without wire protector

##### Mechanical:

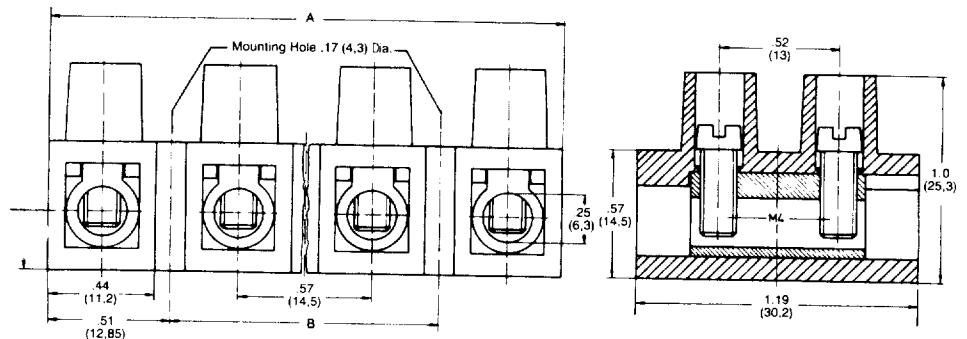
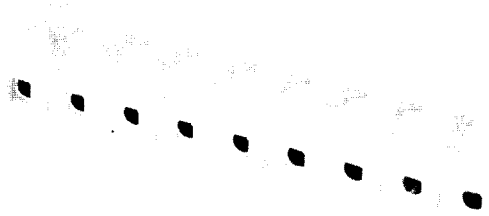
PITCH (TERMINAL SPACING): 14.5mm (.571")  
WIRE STRIP LENGTH: 9mm (.35")  
MIN. WIRE PULL-OUT FORCE: 150lbs.  
RECOMMENDED TIGHTENING TORQUE: 12 in.-lbs.  
RECOMMENDED SCREWDRIVERS: Stanley 1008,  
Sears Craftsman 41436, Xcelite R3164

#### ELECTRICAL PROPERTIES

MAXIMUM CURRENT: 65A (UR), 70A (CSA)  
OPERATING VOLTAGE: 300V  
WIRE RANGE: 6-14 AWG (UR), 6-22 AWG (CSA)  
DIELECTRIC WITHSTAND: 6000V

#### ENVIRONMENTAL PROPERTIES

CONTINUOUS WORKING TEMPERATURE: 100°C



#### Ordering Information

NO. OF POS.	CATALOG NUMBER TUNNEL CONNECTION	CATALOG NUMBER WIRE PROTECTOR	DIMENSIONS	
			A	B
1	TSB2000 01	TSB2000 01DS	11,2 (.44)	—
2	TSB2000 02	TSB2000 02DS	25,7 (1.01)	—
3	TSB2000 03	TSB2000 03DS	40,2 (1.58)	14,5 (.57)
4	TSB2000 04	TSB2000 04DS	54,7 (2.15)	29 (1.14)
5	TSB2000 05	TSB2000 05DS	69,2 (2.72)	43,5 (1.71)
6	TSB2000 06	TSB2000 06DS	83,7 (3.30)	58 (2.28)
7	TSB2000 07	TSB2000 07DS	98,2 (3.87)	72,5 (2.85)
8	TSB2000 08	TSB2000 08DS	112,7 (4.44)	87 (3.43)
9	TSB2000 09	TSB2000 09DS	127,2 (5.01)	101,5 (4.06)
10	TSB2000 10	TSB2000 10DS	141,7 (5.58)	116 (4.57)
11	TSB2000 11	TSB2000 11DS	156,2 (6.15)	130,5 (5.14)
12	TSB2000 12	TSB2000 12DS	170,7 (6.72)	145 (5.71)



LR28387 E63810

Europa Terminal Blocks

Dimensions are shown for reference purposes only.  
Specifications subject to change.

Dimensions are in millimeters and inches unless otherwise specified.  
Values in brackets are metric equivalents.

Before ordering, see cross reference starting on page 333 for equivalent Tyco Electronics part numbers.

If no equivalent part number is listed, contact the Technical Support Center at 1-800-522-6752.  
www.tycoelectronics.com