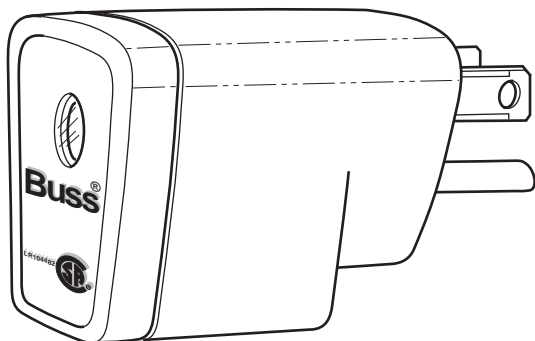


Sentry

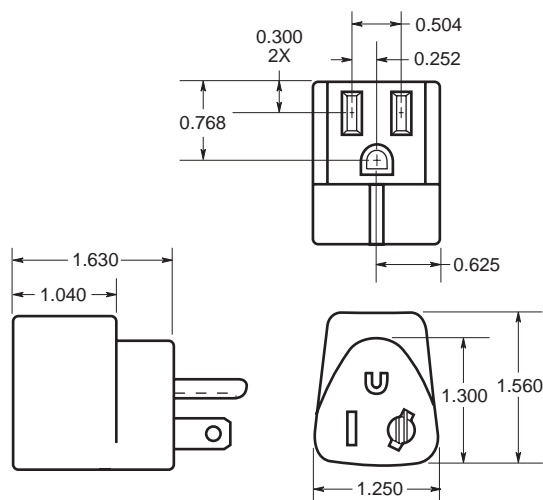
SEN

Surge Protector with Replaceable Fuses



CATALOG SYMBOL: SEN
 TRANSIENT VOLTAGE SPIKE PROTECTOR
 RATED VOLTAGE: 125 VOLTS AC
 SURGE DISSIPATION: 65 JOULES
 PEAK SURGE: 6,000 VOLTS
 MAXIMUM SURGE: 4,500 VOLTS
 RESPONSE TIME: 1 NANOSECOND
 CLAMPING VOLTAGE: 395 VOLTS
 AGENCY APPROVAL: CSA CERTIFIED, LR104482
 For use with Buss ECF-5, 125 VAC, 5 Amp Fuses.
WARNING: FOR INDOOR USE ONLY.

Dimensional Data



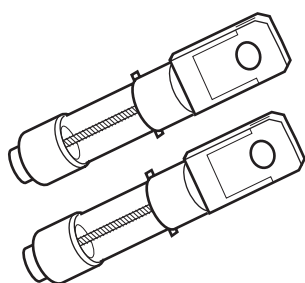
- Dual protection against voltage surges and short-circuits.
- Compact size - easy to carry.
- Indicator light - glows to show that Sentry is ready.
- Compact design provides wall-hugging connection.
- Replaceable fuses.
- Sentry can be used with all household appliances and electronics up to 4 Amps. Including Lap-top Computers, TVs, VCRs, telephones, answering machines, stereos, and similar devices.

NOTE: Sentry is NOT a lightning arrestor and will not provide protection against direct or nearby lightning strikes.

Sentry

Replacement Fuses

ECF-5



CATALOG SYMBOL: ECF-5
 REPLACEMENT FUSES
 VOLTAGE RATING: 125 VAC
 INTERRUPTING RATING: 10,000 AIR
 AGENCY APPROVALS: U.L. LISTED

Electrical Circuit Diagram

