

Series EM2218

Header with Flanges; (Mates with EM2118, EM3118 Series); 5.08 Centers

SPECIFICATIONS:

Rating: 12A, 300V

Center Spacing: 0.20" (5.08mm)

Housing Material: UL rated 94V0 Thermoplastic

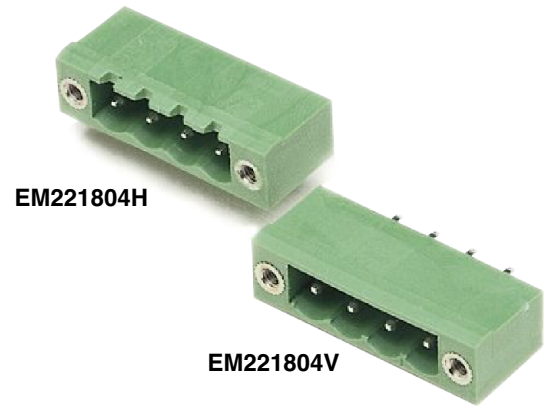
Contact Material: Tin-Plated Brass

Operating Temperature: 105°C (221°F) max., -55°C (-67°F) min.

Recommended PCB Hole Diameters: 0.059" (1.50mm)

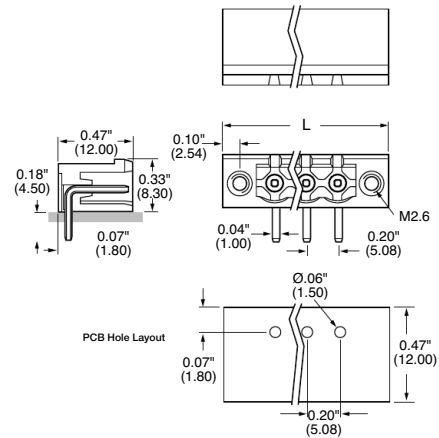
Construction: Mold-to-Length

Agency Information: File E62622; CE Certified

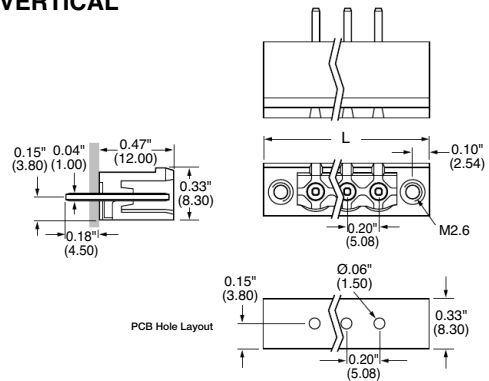


Dimensions - in (mm)

HORIZONTAL



VERTICAL



| Poles | L (mm) | L (Inch) | Poles | L (mm) | L (Inch) |
|-------|--------|----------|-------|--------|----------|
| 2 | 20.32 | 0.8 | 12 | 71.12 | 2.8 |
| 3 | 25.40 | 1.0 | 13 | 76.20 | 3.0 |
| 4 | 30.48 | 1.2 | 14 | 81.28 | 3.2 |
| 5 | 35.56 | 1.4 | 15 | 86.36 | 3.4 |
| 6 | 40.64 | 1.6 | 16 | 91.44 | 3.6 |
| 7 | 45.72 | 1.8 | 17 | 96.52 | 3.8 |
| 8 | 50.80 | 2.0 | 18 | 101.60 | 4.0 |
| 9 | 55.88 | 2.2 | 19 | 106.68 | 4.2 |
| 10 | 60.95 | 2.4 | 20 | 111.76 | 4.4 |
| 11 | 66.04 | 2.6 | | | |

Part Numbering System

Series

EM2218

of Poles

02 to 22

Orientation

H - Horizontal
V - Vertical

Inches (Millimeters)

Mating Plugs: EM2118 pg. 96
EM3118 pg. 97

Terminal Blocks:
Single Row

EuroMag Series
Plug & Header

Edge Connectors,
One-Sided Boards

Compliance
References