

**EM2565 Series**  
**EuroMag Terminal Blocks**  
 Pluggable Block (Mates with EM2575 Series); 5.08 Centers

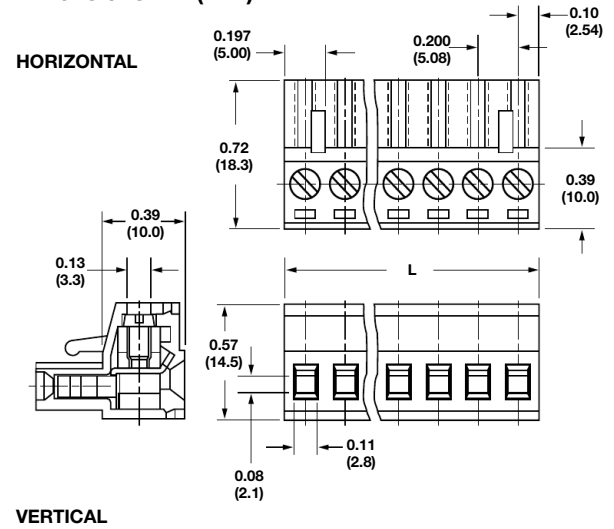
**SPECIFICATIONS**

- Rating:** 16A, 300V
- Center Spacing:** 0.20" (5.08mm)  
Consult factory for 0.40" (10.16mm)
- Wire Range:** #12-24 AWG
- Housing Material:** UL rated 94V0 Thermoplastic
- Contact Material:** Brass Tin-Plated
- Screw Size:** M3.0 Zinc-Plated Steel
- Operating Temperature:** 105°C (221°F) max., -40°C (-40°F) min.
- Torque Rating:** 7 lb-in.
- Construction:** Mold-to-Length
- Agency Information:** US File E62622; CE Certified



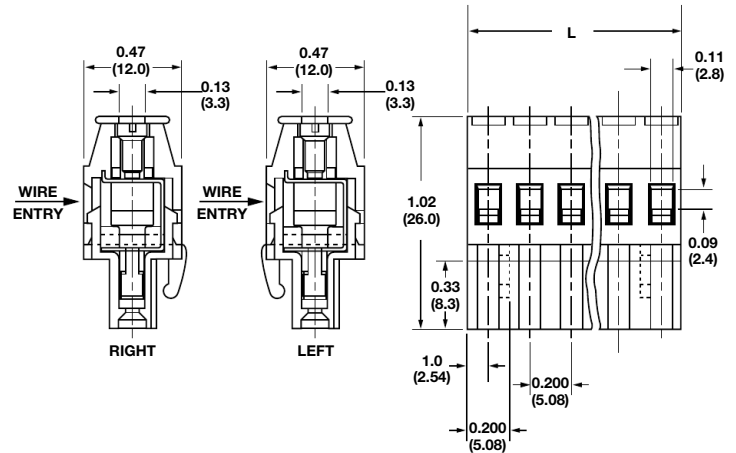
EM256503H

**Dimensions - in (mm)**



Position	L (mm)	Position	L (mm)
02	10.16	14	71.12
03	15.24	15	76.20
04	20.32	16	81.28
05	25.40	17	86.36
06	30.48	18	91.44
07	35.56	19	96.52
08	40.64	20	101.60
09	45.72	21	106.68
10	50.80	22	111.76
11	55.88	23	116.84
12	60.96	24	121.92
13	66.04		

To convert to inches, divide by 25.4



**Part Numbering System**

<b>Series</b>	<b># of Positions</b>	<b>Orientation</b>	<b>Wire Entry (Vertical Orientation Only)</b>	<b>Mating Header:</b> EM2575 pg. 92
<b>EM2565</b>	<input type="checkbox"/> <input type="checkbox"/>	<input type="checkbox"/>	<input type="checkbox"/>	
	<b>02 to 24</b>	<b>H</b> - horizontal <b>V</b> - vertical	<b>L</b> - left <b>R</b> - right	

Terminal Blocks:  
Single Row

EuroMag Series  
Plug & Header

Edge Connectors,  
One-Sided Boards

Compliance  
References