

EM2665 Series
EuroMag Terminal Blocks
 5.00 Centers

SPECIFICATIONS

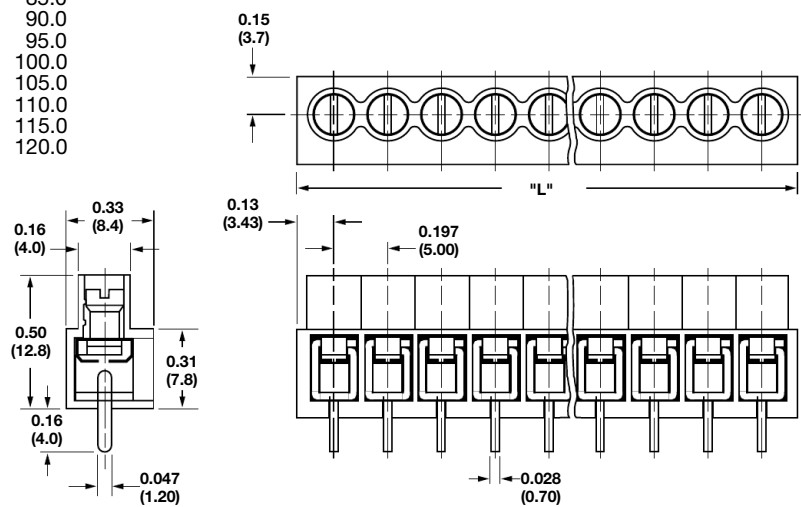
- Rating:** 10A, 300V
- Center Spacing:** 0.197" (5.00mm)
- Wire Range:** #14-26 AWG
- Housing Material:** UL rated 94V0 Thermoplastic
- Contact Material:** Brass Tin-Plated
- Screw Size:** M2.6 Zinc-Plated Steel
- Operating Temperature:** 105°C (221°F) max., -40°C (-40°F) min.
- Torque Rating:** 4 lb-in.
- Recommended PCB Hole Diameters:** 0.055" (1.40mm)
- Construction:** Mold to Length
- Connector Style:** Spring and Screw
- Agency Information:** File E62622; CE Certified



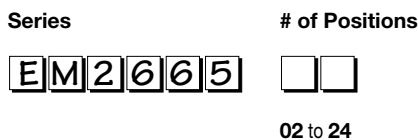
Position	L (mm)	Position	L (mm)
02	10.0	14	70.0
03	15.0	15	75.0
04	20.0	16	80.0
05	25.0	17	85.0
06	30.0	18	90.0
07	35.0	19	95.0
08	40.0	20	100.0
09	45.0	21	105.0
10	50.0	22	110.0
11	55.0	23	115.0
12	60.0	24	120.0
13	65.0		

To convert to inches, divide by 25.4

Dimensions - in (mm)



Part Numbering System



Terminal Blocks:
Single Row

EuroMag Series
Spring & Screw

Edge Connectors,
One-Sided Boards

Compliance
References