

**EM3543 Series
EuroMag Terminal Blocks**

Pluggable Block (Mates with EM3593 Series);
3.81 Centers

SPECIFICATIONS

Rating: 10A, 300V

Center Spacing: 0.15" (3.81mm)

Consult factory for 0.30" (7.62mm)

Wire Range: #16-24 AWG

Housing Material: UL rated 94V0 Thermoplastic

Contact Material: Brass Tin-Plated

Cage Material: Brass, Nickel-Plated

Screw Size: M2.0 Zinc-Plated Steel

Operating Temperature: 105°C (221°F) max., -40°C (-40°F) min.

Torque Rating: 3.0 lb-in.

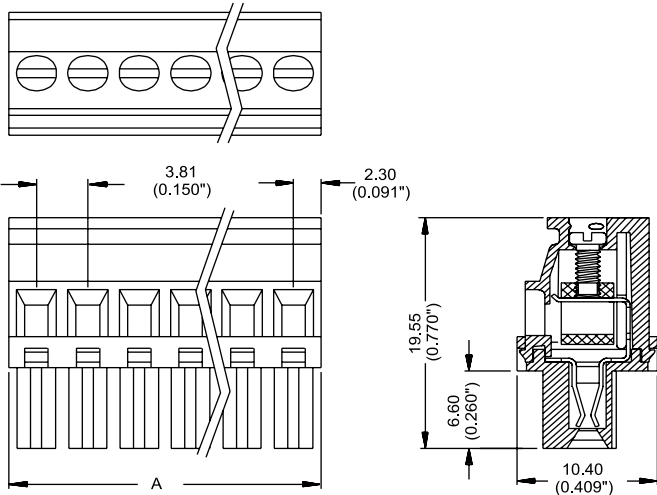
Construction: Mold-to-Length

Agency Information: File E62622; CE Certified



EM354309

Dimensions - mm (in)



Poles	L (mm)
2	8.41
3	12.22
4	16.03
5	19.84
6	23.65
7	27.46
8	31.27
9	35.08
10	38.89
11	42.70
12	46.51

To convert to inches, divide by 25.4

Part Numbering System

Series

of Poles

EM3543

□□

02 to 12

Mating Header: EM3593 pg. 81

Terminal Blocks:
Single Row

EuroMag Series
Plug & Header

Edge Connectors,
One-Sided Boards

Compliance
References