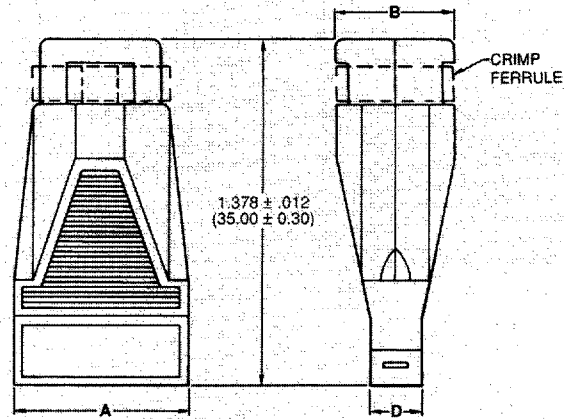


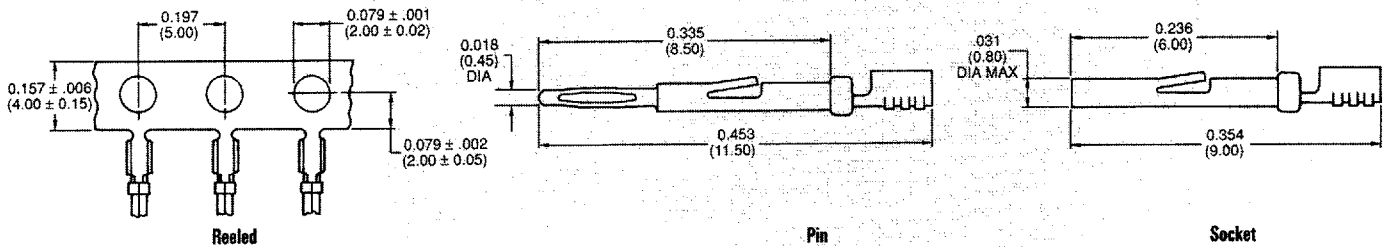
Backshells

Snap-together MDS backshells accommodate either pin or socket connectors. A crimp ferrule provides strain relief. Consult factory for strain relief crimp tooling information.



Layout	Part Number	A	B	D	Cable Diameter	
					Min.	Max.
21	MDS-21E07	0.803 (20.40)	0.378 (9.60)	0.213 (5.40)	0.197 (5.00)	0.276 (7.00)
25	MDS-25E07	0.803 (20.40)	0.378 (9.60)	0.213 (5.40)	0.197 (5.00)	0.276 (7.00)
25	MDS-25E09	0.803 (20.40)	0.433 (11.00)	0.213 (5.40)	0.276 (7.00)	0.354 (9.00)
31	MDS-31E09	0.803 (20.40)	0.433 (11.00)	0.213 (5.40)	0.276 (7.00)	0.354 (9.00)
31	MDS-31E11	0.957 (24.30)	0.512 (13.00)	0.213 (5.40)	0.276 (7.00)	0.354 (9.00)
37	MDS-37E09	1.106 (28.10)	0.433 (11.00)	0.213 (5.40)	0.354 (9.00)	0.433 (11.00)
37	MDS-37E11	1.106 (28.10)	0.512 (13.00)	0.213 (5.40)	0.354 (9.00)	0.433 (11.00)

MDS Crimp Contacts

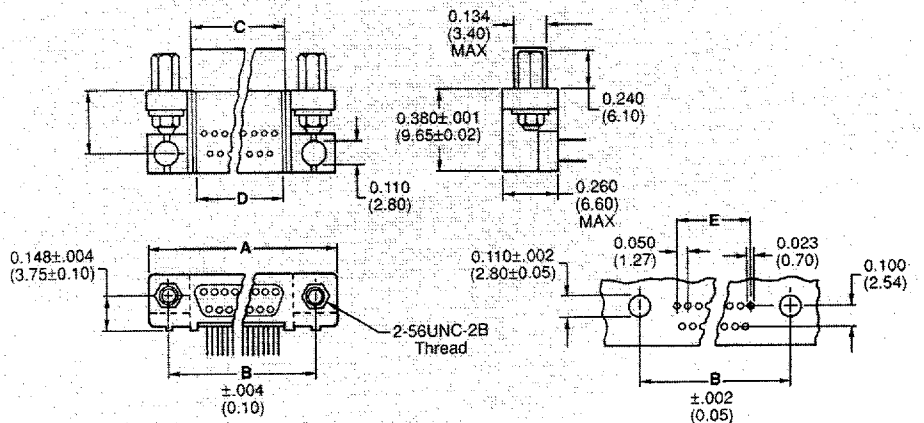


	1,000 Piece Reel	10,000 Piece Reel
Pin	MDS-P-TS	MDS-P-RL
Socket	MDS-S-TS	MDS-S-RL

Crimp Tool Information – Page 54

Printed Circuit Board Connectors

90° PCB Pin Connector
25 Pin Only



Layout	Part Number	A Max.	B ± .004 (0.10)	C Max.	D Max.	E
25	MDS-25PE-Z7	1.183 (30.05)	0.965 (24.50)	0.692 (17.58)	0.754 (19.15)	0.600 (15.24)

ITT Cannon

Dimensions are shown in inches (millimeters).
Dimensions subject to change.

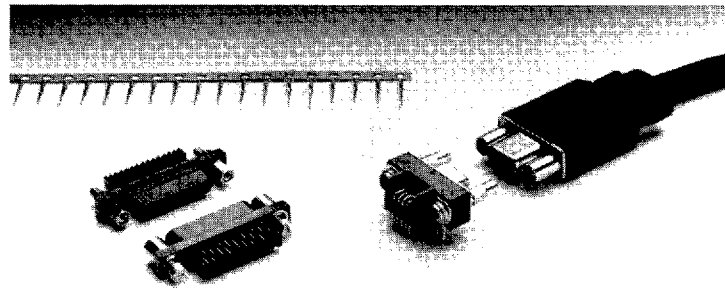
For technical assistance, price or delivery information, call your local technical sales office or distributor.

The Micro-D MDSM/MDS product line offers a half-pitch .050" solution to commercial applications in need of a microminiature D-type connector.

Requiring only one-third the space of conventional D Subminiature connectors, the Micro-D offers a choice of shielded wire-to-board (MDSM) or unshielded wire-to-wire (MDS).

Stamped crimp snap contacts are supplied on reels for fast hand or semi-automatic crimping. MDSM cable connector kits contain jackscrews, hoods and integral shield cans, eliminating the need for optional accessories or expensive overmolding.

MDSM printed circuit board connectors are supplied with snap-in boardlocks, simplifying assembly and providing a grounding path to the board.



When shielding is not required, the MDS all-plastic provides a convenient connector for internal cabling.

For MDSM/MDS assembly instructions, refer to Manual No. MY-1/190.

Performance and Material Specifications

MATERIALS AND FINISHES

Insulators:	Thermoplastic, UL 94V-0 rated
Contacts:	Copper alloy, plated gold over nickel, or Pd/Ni engaging end, tin/lead termination area
Hardware:	Copper Alloy, nickel-plated
Shield and cover:	Steel, tin plated
Hood:	Thermoplastic, UL 94V-0 rated
Backshells:	Thermoplastic, UL 94V-0 rated
Jackscrews:	Copper alloy, nickel-plated

ELECTRICAL DATA

Current Rating:	1A/25°C; .7A/70°C.
Voltage Rating:	350 V.A.C.
Contact Resistance:	20 milliohms max.
Insulation Resistance:	5000 megohms min.
Operating Temperature:	-55/+125°C
Shielding Effectiveness: (MDSM only)	70 dB
U.L. File Number:	E8572

MECHANICAL CHARACTERISTICS

Wire Accommodation:	26-28 AWG
Contact Spacing:	.050"

Layouts

(Face View of Pin Insert - Use Reverse Order for Socket Side)

Standard

