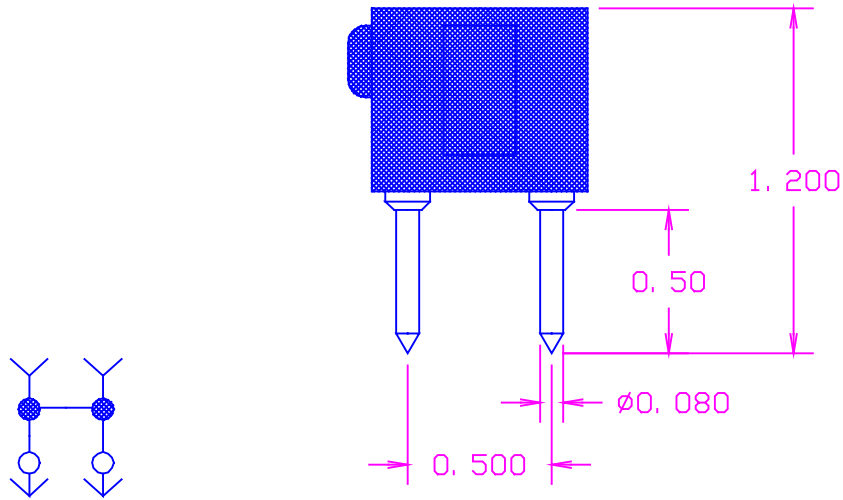
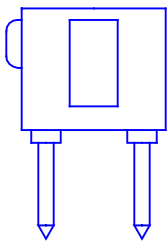


DATE	SYM	REVISION	RECORD	AUTH.	DR.	CK.
9/27/96	-	ISSUED			NT	MM



MATERIAL: BODY- BRASS PER ASTM B16,
 ALLOY C 36000, 1/2 HARD
 INSULATION- ABS 10- BLACK
 12-RED
 FINISH: TIP PLUGS/JACK- GOLD PLATED

ACTUAL SIZE



TOLERANCES (EXCEPT AS NOTED)	CONCORD ELECTRONICS CORPORATION		
DECIMAL + -	P/N	SCALE	30 GREAT JONES ST. NEW YORK N. Y. 10012
FRACTIONAL + -	TITLE MINIATURE DOUBLE TIP PLUG WITH SHORTING BAR		
ANGULAR + -	DATE 9-27-96	DRAWING NUMBER 25-2527-1-03XX	