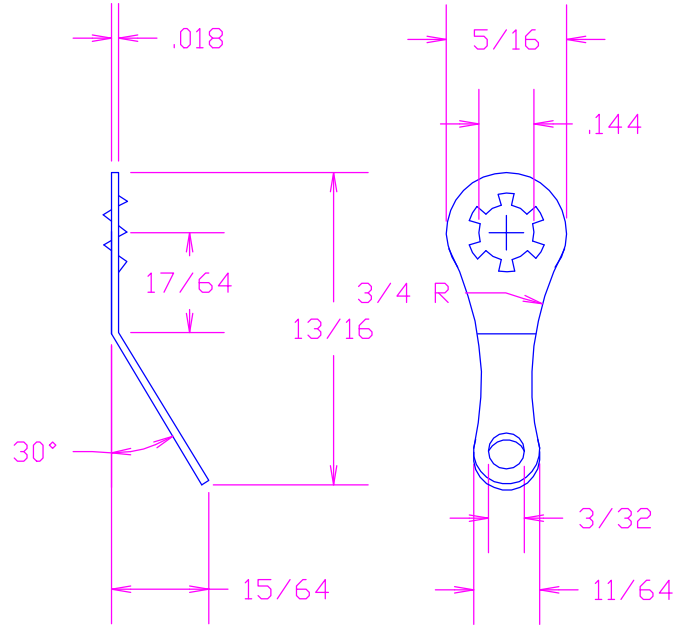


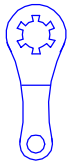
DATE	SYM	REVISION RECORD	AUTH.	DR.	CK.
2/7/96	-	ISSUED		NT	AT



+

MATERIAL: BRASS
FINISH: ELECTRO-TIN

ACTUAL SIZE



TOLERANCES (EXCEPT AS NOTED)	CONCORD ELECTRONICS CORPORATION		
DECIMAL $\pm .005$	P/N	SCALE	30 GREAT JONES ST. NEW YORK N.Y. 10012
FRACTIONAL $\pm 1/64$	TITLE LOCKWASHER TERMINAL		
ANGULAR $\pm 2^\circ$	DATE 2-7-96	DRAWING NUMBER 707-1406	