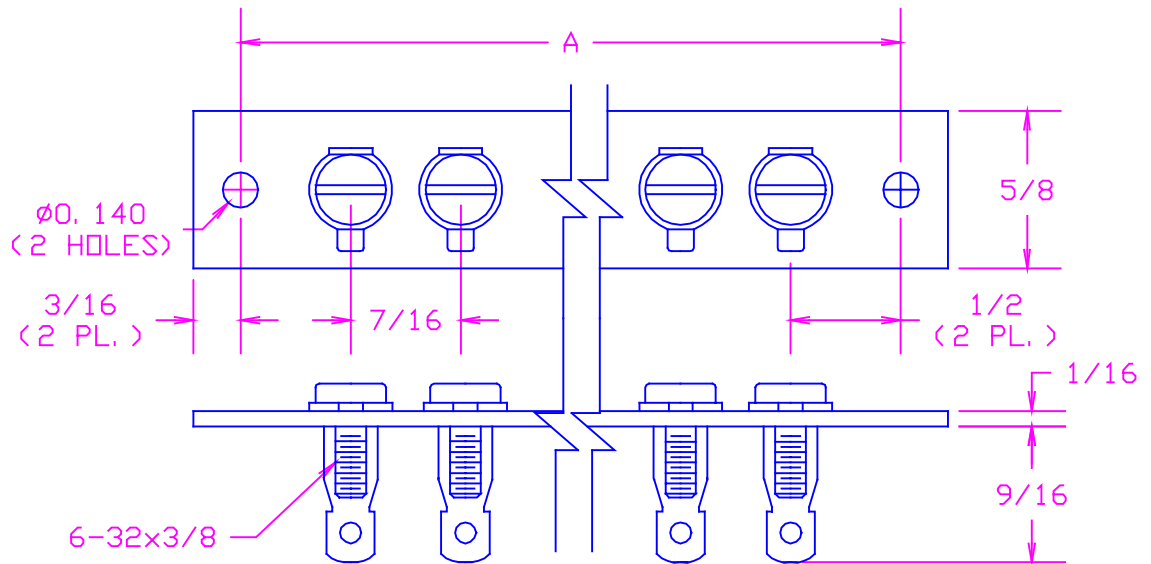


DATE	SYM	REVISION	RECORD	AUTH.	DR.	CK.
1/15/01	-	ISSUED			NT	DG



MATERIAL: LUG- BRASS, HOT-TIN PL.

SCREW- STEEL

STRIP- XP PHENOLIC

PART NUMBER:	TERMINALS:	A;
707-5301	1	7/8
707-5302	2	1-7/16
707-5303	3	1-3/4
707-5304	4	2-3/16
707-5305	5	2-5/8
707-5306	6	3-1/16
707-5307	7	3-1/2
707-5308	8	3-15/16
707-5309	9	4-3/8
707-5310	10	4-13/16

TOLERANCES	CONCORD ELECTRONICS CORPORATION		
DECIMAL ± .010	P/N	SCALE	30 GREAT JONES ST. NEW YORK N. Y. 10012
FRACTIONAL ± 1/64	TITLE BINDING POST STRIPS		
ANGULAR ±	DATE 1/15/01	DRAWING NUMBER 707-53XX	