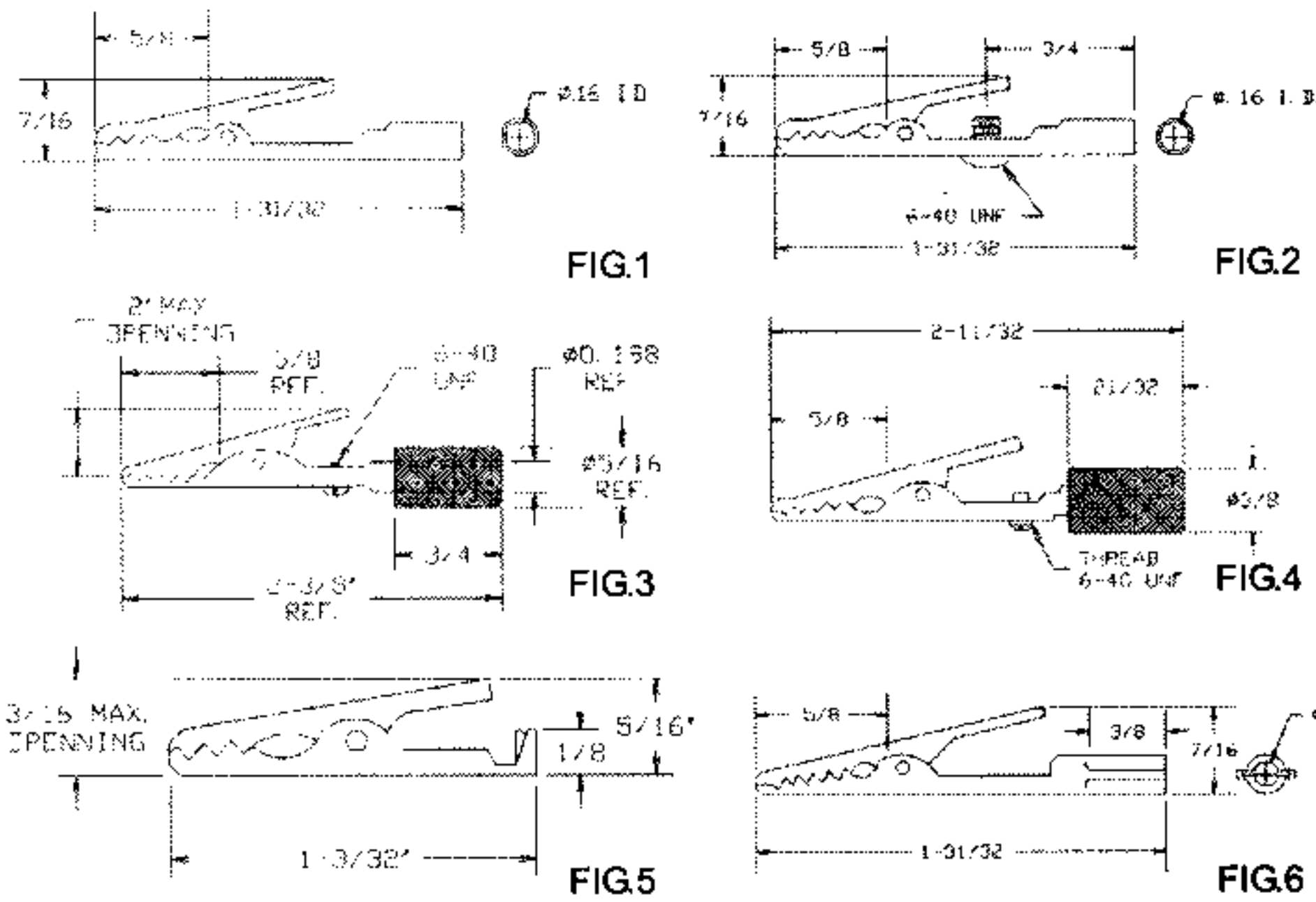


# HARDWARE

## ALLIGATOR CLIP



### STANDARD ALLIGATOR CLIPS

PART NO.	FIG.	INSUL COLOR	CLIP MATERIAL	WIRE CONNECT	RATED Amps	INSULATORS SOLD SEPARATELY
790-7001	1	Uninsul	Steel	Solder	5	790-7025-XX*
790-7035-10	3	Black	Steel	Screw	5	-
790-7035-12	3	Red	Steel	Screw	5	-
790-7036-10	3	Black	Copper	Screw	10	-
790-7036-12	3	Red	Copper	Screw	10	-
790-7005	2	Uninsul	Steel	Screw	5	790-7025-XX*
790-7007	2	Uninsul	Copper	Screw	10	790-7025-XX*
790-7030-10	4	Black	Steel	Solder	5	-
790-7030-12	4	Red	Steel	Solder	5	-

### MINIATURE ALLIGATOR CLIPS

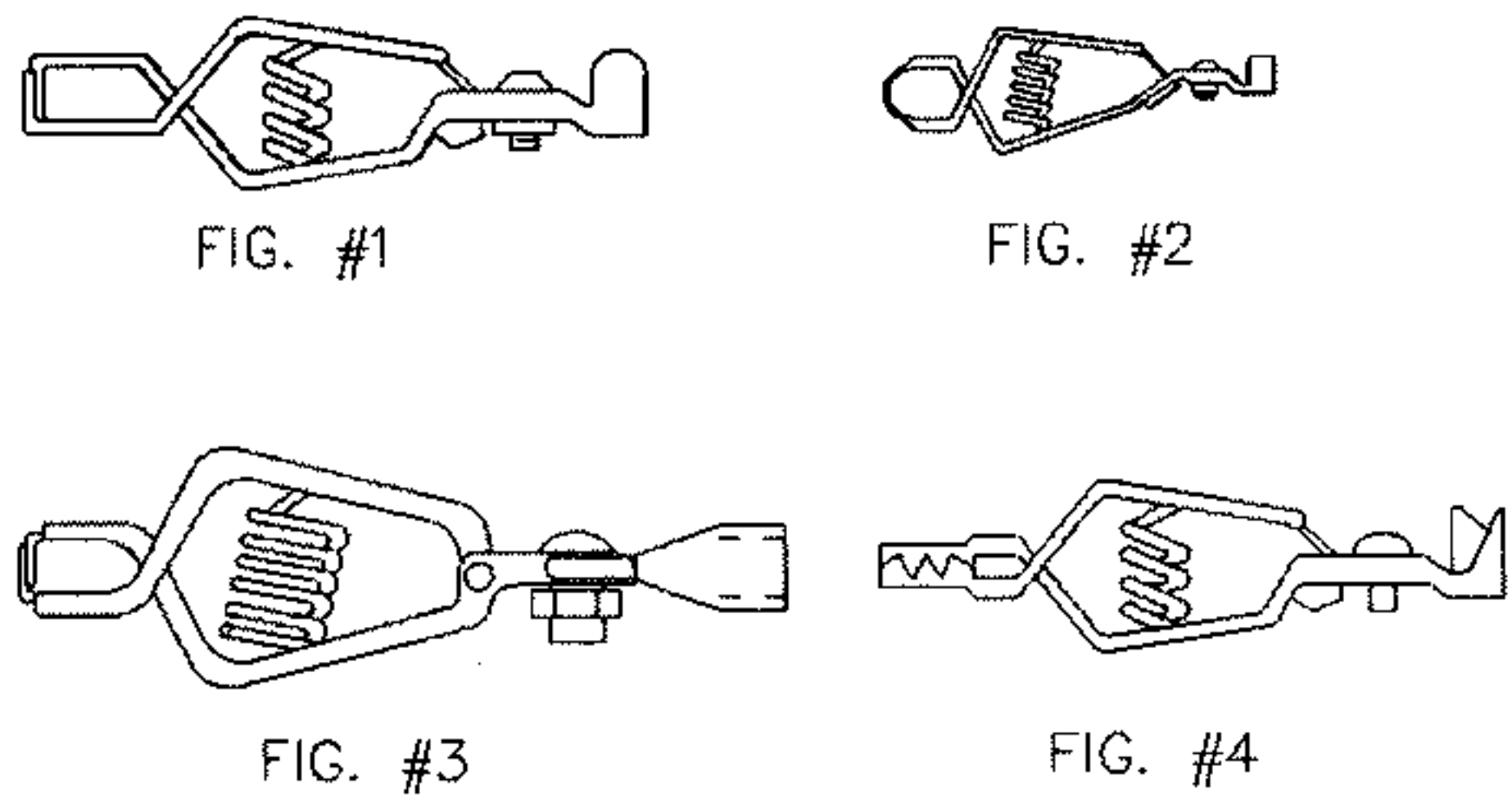
PART NO.	FIG.	INSUL COLOR	CLIP MATERIAL	WIRE CONNECT	RATED Amps	INSULATORS SOLD SEPARATELY
790-7020	5	Uninsul	Steel	Solder	1	790-7027-XX*
790-7021	5	Uninsul	Copper	Solder	1	790-7027-XX*

### STANDARD ADAPTER

PART NO.	FIG.	INSUL COLOR	CLIP MATERIAL	WIRE CONNECT	RATED Amps	INSULATORS SOLD SEPARATELY
790-7066	6	Uninsul	Steel	.080 Tip	5	790-7025-XX*

\*SEE INDIVIDUAL INSULATOR P/N FOR STANDARD COLOR DESIGNATIONS.

## BATTERY CLIP



### STEEL, ELECTROPLATED

PART NO.	FIG.	CURRENT CAPACITY	SPREAD JAWS	LENGTH	SPRING	INSULATORS SOLD SEPARATELY
790-7101	2	5 Amp	3/8	1-5/8	7 lbs	790-7130-XX*
790-7102	4	10 Amp	9/16	2	10 lbs	790-7111-XX*
790-7103†	1	25 Amp	1	2-1/2	17 lbs	790-7109-XX*
790-7104†	1	50 Amp	1-1/2	3-7/8	33 lbs	790-7110-XX*
790-7105†	3	100 Amp	1-3/8	6	40 lbs	790-7112-XX*

### SOLID COPPER

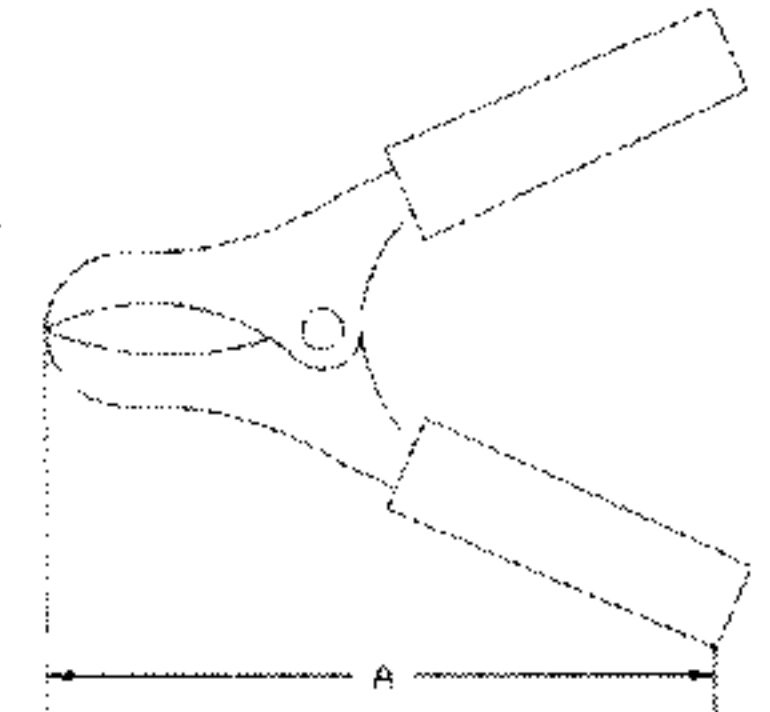
PART NO.	FIG.	CURRENT CAPACITY	SPREAD JAWS	LENGTH	SPRING	INSULATORS SOLD SEPARATELY
790-7106	4	40 Amp	5/8	2-1/2	17 lbs	790-7113-XX*
790-7107†	1	100 Amp	1-1/4	4-3/4	33 lbs	790-7110-XX*
790-7108†	3	200 Amp	1-3/8	5-3/4	40 lbs	790-7112-XX*

\*SEE INDIVIDUAL INSULATOR P/N FOR STANDARD COLOR DESIGNATIONS.  
† SOLD IN PAIRS, ONE POSITIVE AND ONE NEGATIVE, TO PURCHASE SEPARATELY, ADD "P" SUFFIX FOR POSITIVE OR "N" SUFFIX FOR NEGATIVE TO PART NUMBER.

### PLIER TYPE BATTERY CLIPS

INSULATED VINYLITE HANDLES, RED OR BLACK- SPECIFY COLOR

PART NO.	Amps	MATERIAL	SIZE	COLOR
790-7120-10	35	Steel, Cop. Pl.	3-1/4	BLACK
790-7120-12	35	Steel, Cop. Pl.	3-1/4	RED
790-7121-10	50	Steel, Cop. Pl.	2-13/16	BLACK
790-7121-12	50	Steel, Cop. Pl.	2-13/16	RED
790-7122-10	100	Steel, Cop. Pl.	7-1/2	BLACK
790-7122-12	100	Steel, Cop. Pl.	7-1/2	RED
790-7123-10	300	Solid, Copper	7-1/2	BLACK
790-7123-12	300	Solid, Copper	7-1/2	RED



## 790-70XX-XX

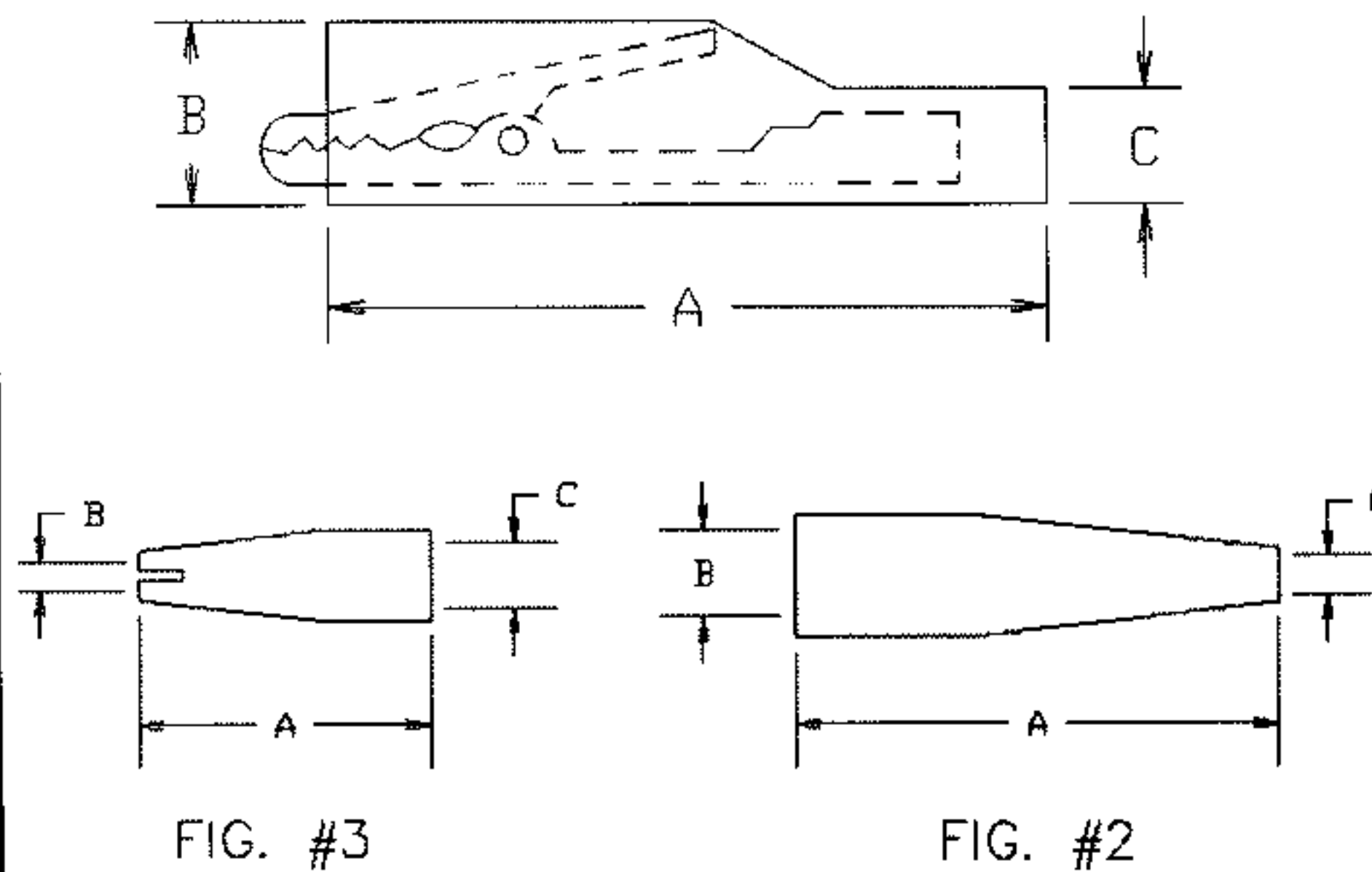
## 790-71XX-XX

BASIC PART NO COLOR

## INSULATOR BOOTS

STANDARD COLOR RED AND BLACK OTHER COLORS AVAILABLE ON SPECIAL ORDER

12	10	14	15	16	19
RED	BLACK	YELLOW	GREEN	BLUE	WHITE



PART NO.	FIG.	COLOR	MATERIAL	A	B I.D.	C I.D.
790-7025-10	1	BLACK	VINYL	2-1/32	13/32	7/32
790-7025-12	1	RED	VINYL	2-1/32	13/32	7/32
790-7026-10	1	BLACK	VINYL	1-5/8	1/4	.22
790-7026-12	1	RED	VINYL	1-5/8	1/4	.22
790-7113-10	2	BLACK	VINYL	3-1/2	19/32	15/64
790-7113-12	2	RED	VINYL	3-1/2	19/32	15/64
790-7027-10	3	BLACK	VINYL	1-7/32	1/8	19/64
790-7027-12	3	RED	VINYL	1-7/32	1/8	19/64
790-7111-10	2	BLACK	VINYL	2-9/16	1/2	13/64
790-7111-12	2	RED	VINYL	2-9/16	1/2	13/64
790-7110-10	2	BLACK	VINYL	5	1-13/32	33/64
790-7110-12	2	RED	VINYL	5	1-13/32	33/64
790-7112-10	2	BLACK	VINYL	6-13/16	1-3/4	41/64
790-7112-12	2	RED	VINYL	6-13/16	1-3/4	41/64
790-7130-10	2	BLACK	VINYL	2-1/64	27/64	5/32
790-7130-12	2	RED	VINYL	2-1/64	27/64	5/32
790-7109-10	2	BLACK	VINYL	3-7/8	1-1/64	19/64
790-7109-12	2	RED	VINYL	3-7/8	1-1/64	19/64

