

# ROUND ROCKER SWITCH FOR HIGHER LOADS

## SR Series



### Features

- 20 amp switching in a compact design
- Available in a variety of colors
- Self-locking tabs and anti-rotation pin for snug fit
- Mechanical life: min. 50,000 operations

### Specifications

#### Electrical

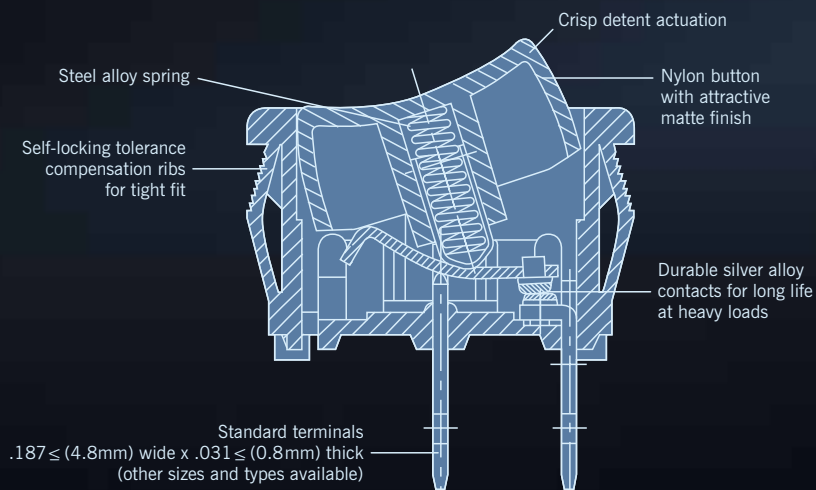
Dielectric Strength:	1000VAC for 1 minute
Insulation Resistance:	10 <sup>8</sup> ohms min at 500VDC
Initial Contact Resistance:	0.020 ohms max
Temperature Range:	-20°C to +65°C

#### Materials

Actuator:	Nylon 66 94V-2
Base:	Nylon 66 94V-2
Contacts:	Silver Alloy
Movable Arm:	Silver-Plated Copper Alloy
Terminals:	Tin-Plated Copper Alloy

### Electrical Ratings

Switch Series	EN61058 Rating	UL1054 Rating	Electrical Life at Rated Load	
			According to VDE (Min. Operations)	According to UL (Min. Operations)
SR	N/A	20A, 125VAC; 12A, 250VAC	N/A	6,000





## Examples of Common Part Numbers and Descriptions inches (mm)

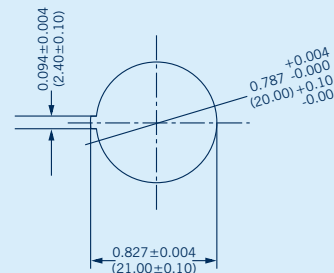
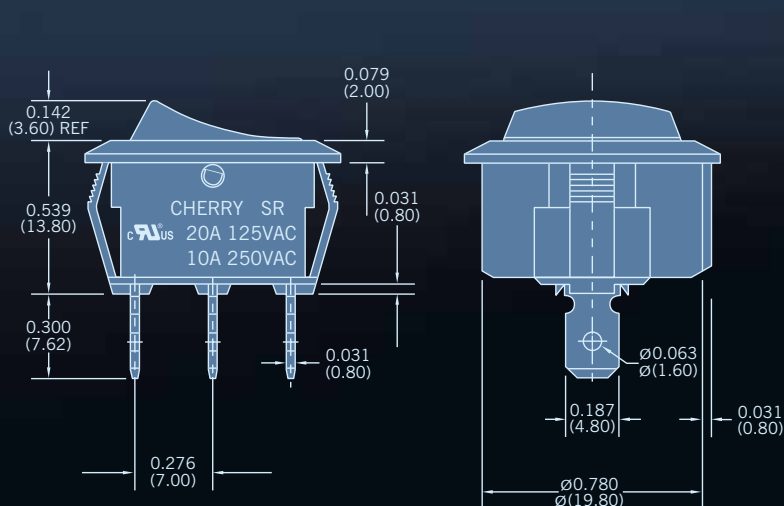
Part Number	Circuitry	Switch Function	Terminal Type	Actuator/Housing Color	Legend Marking
SRJ22A3BBBNN		On - Off	0.187 (4.80) Quick-Connect	Black/Black	
SRJ23A3BBBNN		On - Off	0.187 (4.80) Quick-Connect	Black/Black	
SRJ24A3BBBNN		On - Off - On	0.187 (4.80) Quick-Connect	Black/Black	
SRJ24A3HBBNN		On - Off - On	0.187 (4.80) Quick-Connect	Black/Black	

## Ordering Information

SR	J	2	4	A	3	H	B	N	
<b>Series</b>	<b>Code</b>	<b>Circuitry</b>	<b>Code</b>	<b>Code</b>	<b>Actuator Type</b>	<b>Code</b>	<b>Housing Color</b>	<b>Code</b>	<b>Lighted</b>
	2	Single-Pole	2 On - Off 3 On - On 4 On - Off - On	3 Round		B Black C Brown E Charcoal Grey W White Y Grey	N Non-Lighted		
<b>Code</b>	<b>Contact Rating</b>			<b>Code</b>	<b>Actuator Marking</b>			<b>Code</b>	<b>Body Type</b>
J	20A, 125VAC; 12A, 250VAC (UL, cUL)			B Blank C I O II D OFF NO E O I F O I G • H I O II		A Amber B Black G Green R Red W White Y Grey	N No Rocker Boot		
			<b>Code</b>	<b>Terminal Type</b> inches (mm)					
			A	0.187 (4.80) Quick-Connect					

Specifications subject to change without notice.

## Dimensions inches (mm)



## Panel Cut-Out Dimensions for Panel Thickness

inches (mm)

0.039 to 0.078  
(1.00 to 2.00)