

Power Entry Modules with RFI Power Line Filter for General or Medical Applications



UL Recognized
CSA Certified
VDE Approved

L Series

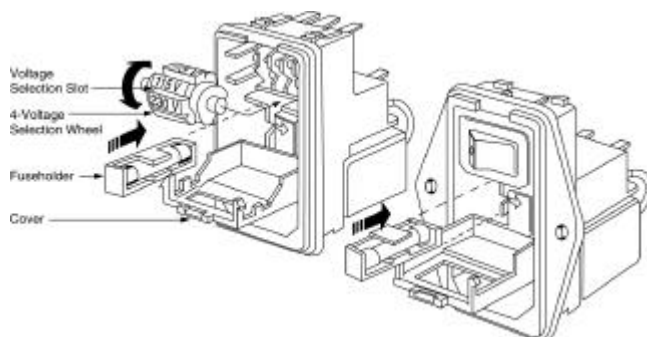
The L series power entry modules are compact units that combine a multi-function power entry module and high performance RFI filtering capabilities. They are available with either a four-voltage selector or a DPST on/off switch. Both variations can be specified with North American or European fusing capabilities and are available in either flange or snap-in mounting.

These filters are UL recognized, CSA certified, and VDE approved. The L series modules offer a choice of filters for general or medical applications.

EDL Models The RFI filter is for general purpose applications where line-to-line and line-to-ground noise must be controlled. The filter is designed to meet the very low leakage requirements of VDE portable equipment. They are available in three current ratings.

EHL Models This medical filter provides susceptibility protection without the leakage current associated with line-to-ground capacitors. Designed to allow equipment to meet UL544 for patient care and nonpatient care equipment, the EHL filter has a maximum leakage current of 2 μ A at 120 VAC 60 Hz. See Appendix C for more information on medical applications and UL standards.

Voltage Selection



To change selected voltage: disconnect the power cord; open cover using a small blade screwdriver or similar tool; insert the tool into the voltage selection slot and remove wheel from unit; select desired voltage; replace wheel into unit and close cover, **making sure the selected voltage appears in connector window.**

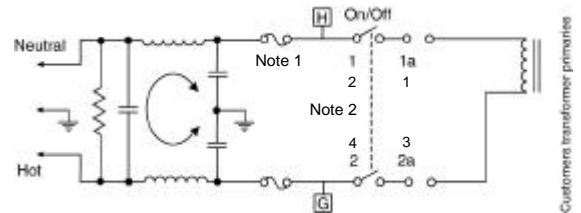


EDL1S/EHL1S

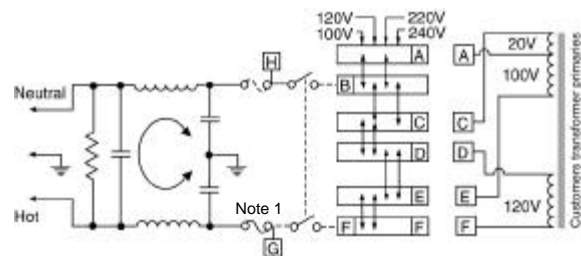
EDL4C/EHL4C

Electrical Schematics

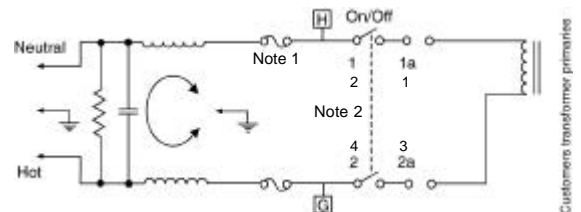
DL Models (with switch)



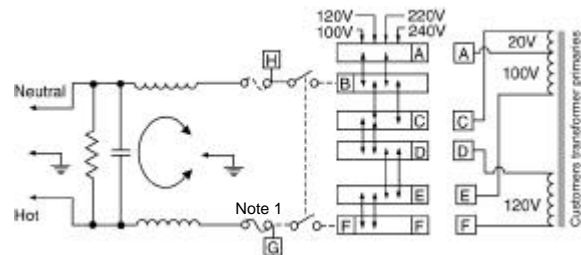
DL Models (with 4-voltage selection)



HL Models (with switch)



HL Models (with 4-voltage selection)



Resistor location for reference only.

NOTES: Note 1: Provision for dual European style fusing.
Note 2: On/Off switch present only with "S" suffix.

L Series

Specifications – Filtered

Maximum leakage current, each line-to-ground:

@ 120 VAC 60 Hz:	EDL Models	0.25 mA
	EHL Models	2 μ A
@ 250 VAC 50 Hz:	EDL Models	0.50 mA
	EHL Models	5 μ A

Hipot rating (one minute):

line-to-ground	EDL Models	1500 VAC
	EHL Models	1500 VAC
line-to-line	All Models	1450 VDC

Operating voltages:

1S_ & 1SC_ Models - Fixed	100, 120, 220, 240 VAC
4_ & 4C_ Models – Selectable	100, 120, 220, 240 VAC

Operating frequency: 50/60 Hz

Rated voltage: 120/250 VAC

Switch: Rated for 10,000 operations at full load
(1S_ & 1SC_ models only) 51 Amp inrush capability

Fuse (not included): Accepts one 1/4" x 1-1/4" fuse or two 5 x 20mm fuses

Terminals: .110 (2.79) terminals except for switch. Switch terminals .187 (4.8).

Minimum insertion loss in dB:

Line-to-ground in 50 ohm circuit

Current Rating	Frequency-MHz					
	.05	.15	1	5	10	30

EDL Models

2A	6	14	24	40	45	50
4A	2	8	18	32	38	45
6A	1	6	17	31	37	45

EHL Models

6A	3	8	15	18	18	18
----	---	---	----	----	----	----

Line-to-line in 50 ohm circuit

Current Rating	Frequency-MHz					
	.05	.15	1	3	5	10

EDL Models

2A	7	16	21	23	37	47	50
4A	6	15	18	23	26	45	47
6A	6	15	20	25	25	45	50

EHL Models

6A	4	14	20	28	32	38	42
----	---	----	----	----	----	----	----

Case Dimensions - Filtered

Metric shown in italics.

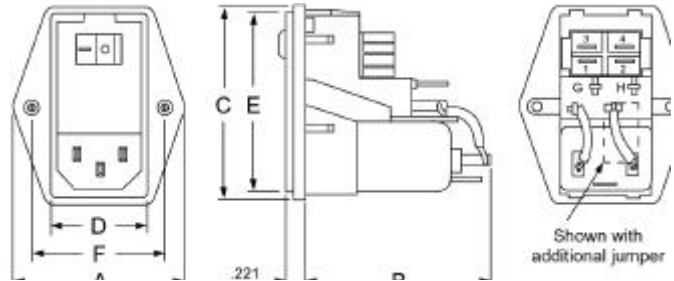
Part No.	A	B	C	D	E	F
	(max)	(max)	(max)	<i>+0.08/-0.00</i> <i>+2.03/-0.00</i>	<i>+0.08/-0.00</i> <i>+2.03/-0.00</i>	<i>±.015</i> <i>±.038</i>
Flange	<i>1.98</i>	<i>2.01</i>	<i>2.30</i>	<i>1.122</i>	<i>2.201</i>	<i>1.575</i>
Filtered	<i>50.3</i>	<i>51.1</i>	<i>58.4</i>	<i>28.50</i>	<i>55.91</i>	<i>40.00</i>
Snap-in	<i>1.28</i>	<i>2.01</i>	<i>2.30</i>	<i>1.122*</i>	<i>2.201</i>	–
Filtered	<i>32.5</i>	<i>51.1</i>	<i>58.4</i>	<i>28.50</i>	<i>55.91</i>	–

† For panel thickness of .031 - .079 (0.8 - 2.0). For panel thickness of .083 - .114 (2.1 - 2.9) use 2.213 (56.21).

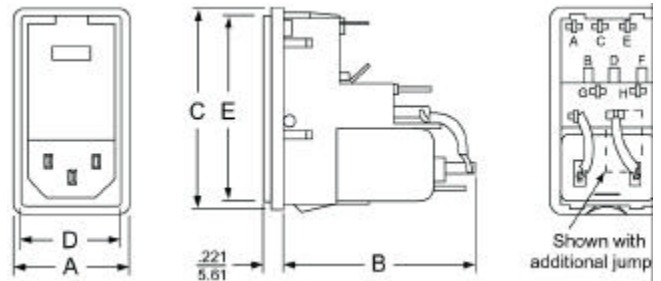
* For snap-in application, the D sides of the cutout must have a .02 (.508) radius on the installation side.

Case Styles - Filtered

Flange Models



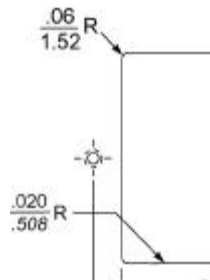
Snap-In Models



Metric fuse models have additional jumper from filter to module

Note: Snap-in models allow front mounting only.

Recommended Panel Cutout



Specifications – Unfiltered

Rated current: 6 Amp @ 120 VAC
6 Amp @ 250 VAC

Operating voltages:
6EL1S & 6EL1SC
Models–Fixed 100, 120, 200, 240 VAC
6EL4 & 6EL4C
Models–Selectable 100, 120, 220, 240 VAC

Operating frequency: 50/60 Hz

Rated voltage: 120/250 VAC

Switch: Rated for 10,000 operations at full load
(6EL1S & 6EL1SC models only) 51 Amp inrush capability

Fuse (not included): Accepts one 1/4" x 1-1/4" fuse or two 5 x 20mm fuses

Terminals: .110 (2.79) terminals except for switch. Switch terminals .187 (4.8).

Case Dimensions - Unfiltered

Metric shown in italics.

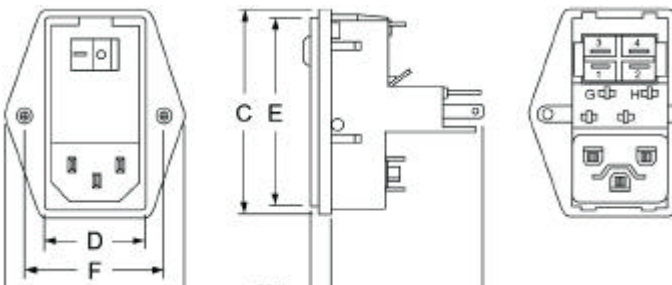
Part No.	A (max)	B (max)	C (max)	D <i>+0.008/-0.00</i> <i>+2.03/-0.00</i>	E <i>+0.008/-0.00</i> <i>+2.03/-0.00</i>	F <i>± .015</i> <i>± .038</i>
Flange	1.98	1.66	2.30	1.122	2.201	1.575
Unfiltered	50.3	42.2	58.4	28.50	55.91†	40.00
Snap-in	1.28	1.66	2.30	1.122*	2.201	—
Unfiltered	32.5	42.2	58.4	28.50	55.91†	—

† For panel thickness of .031 - .079 (0.8 - 2.0). For panel thickness of .083 - .114 (2.1 - 2.9) use 2.213 (56.21).

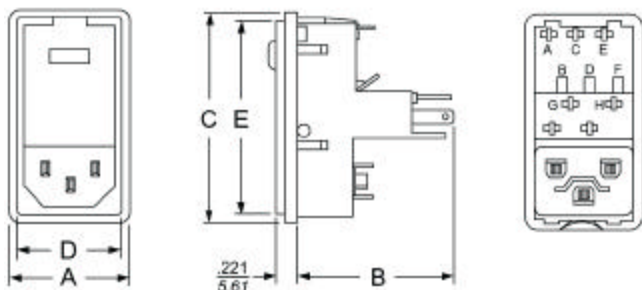
* For snap-in application, the D sides of the cutout must have a .02 (.508) radius on the installation side.

Case Styles - Unfiltered

Flange Models

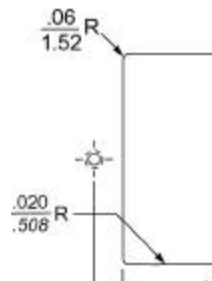


Snap-In Models



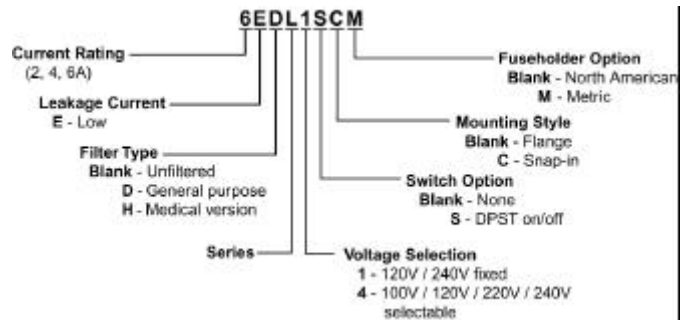
Note: Snap-in models allow front mounting only.

Recommended Panel Cutout



Ordering Information

Consult your local Corcom sales representative for pricing.



Available Part Numbers

Filtered

2EDL1S	6EDL1S
2EDL1SC	6EDL1SC
2EDL1SM	6EDL1SM
2EDL1SCM	6EDL1SCM
2EDL4	6EDL4
2EDL4C	6EDL4C
2EDL4M	6EDL4M
2EDL4CM	6EDL4CM
4EDL1S	6EHL1S
4EDL1SC	6EHL1SC
4EDL1SM	6EHL1SM
4EDL1SCM	6EHL1SCM
4EDL4	6EHL4
4EDL4C	6EHL4C
4EDL4M	6EHL4M
4EDL4CM	6EHL4CM

Unfiltered

6EL1S
6EL1SC
6EL1SM
6EL1SCM
6EL4
6EL4C
6EL4M
6EL4CM