



UL Recognized CSA Certified

Corcom offers a standard, unfiltered jack in both the RJ45 and RJ11 models to complement our filtered line.

Specifications

Contacts

Material:	Phosphor bronze
Plating:	50 microinches gold
Barrier underplating:	100 microinches nickel
Resistance:	
Initial:	20 milliohms maximum
After durability testing (500 mating cycles):	30 milliohms maximum

Housing Material

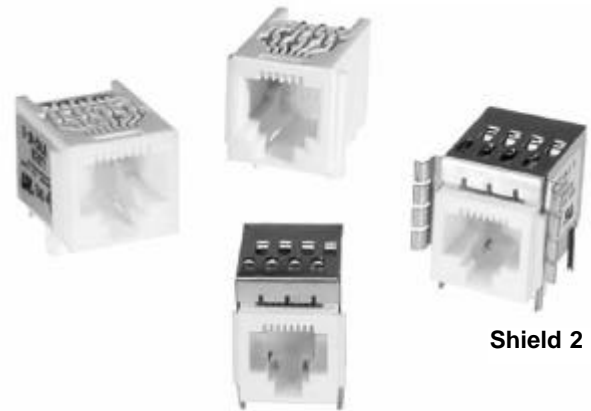
Glass-filled polyester (UL94V-0)

Dielectric Withstanding Voltage

Line-to-line and line-to-ground	1000 VAC for 60 seconds
---------------------------------	----------------------------

Printed Circuit Board Retention

Before soldering:	1 lb. minimum
After soldering:	20 lb. minimum

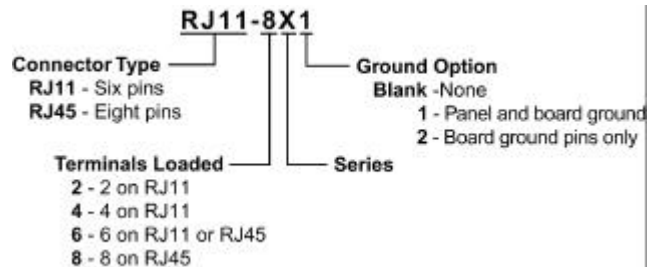


Shield 1

Shield 2

Ordering Information

Consult your local Corcom sales representative for pricing.



Available Part Numbers

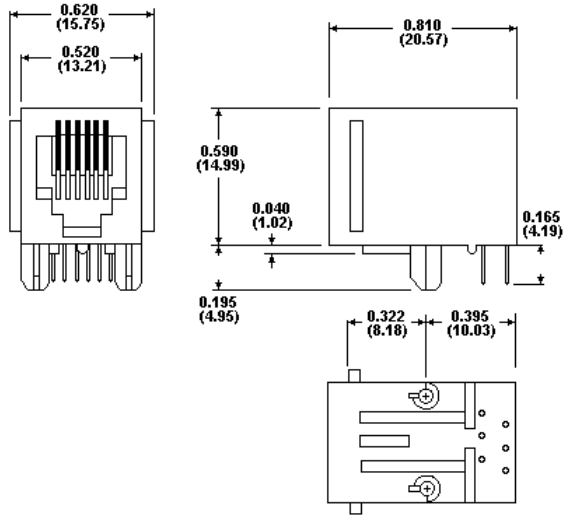
RJ11-2X
RJ11-4X
RJ11-6X

RJ45-6X
RJ45-8X
RJ45-8X1
RJ45-8X2

X Series

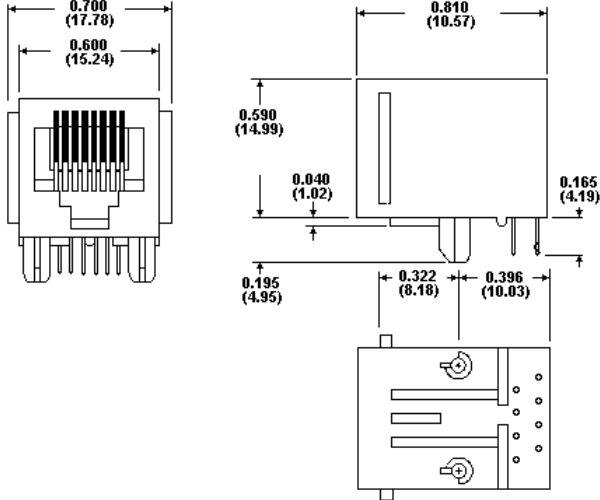
RJ11 (No Shield)

Model Dimension



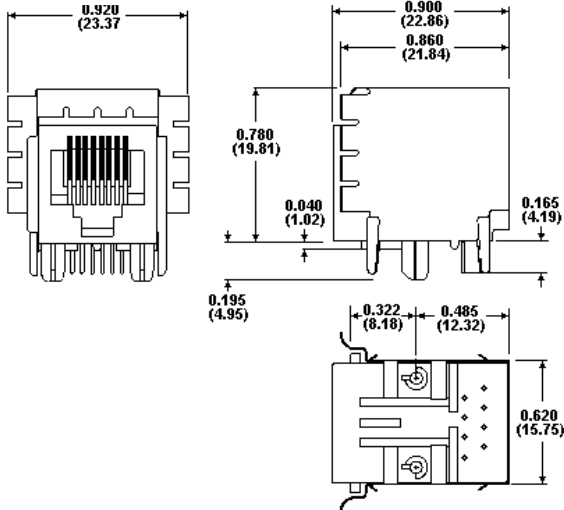
RJ45 (No Shield)

Model Dimension



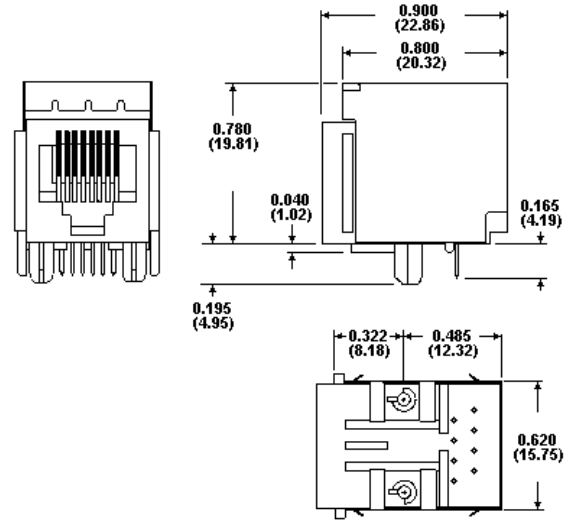
RJ45 (Style 1 Shield)

Model Dimension



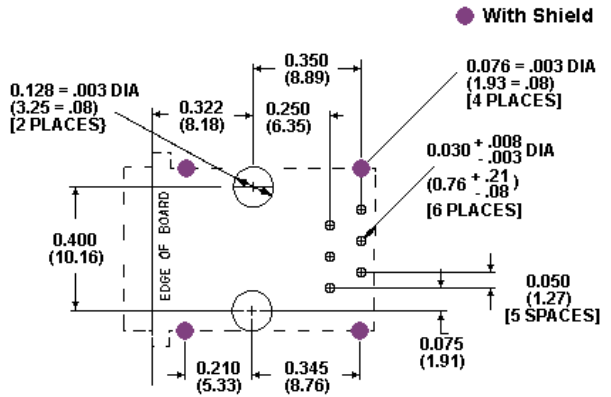
RJ45 (Style 2 Shield)

Model Dimension



PC Board Layout

RJ11



PC Board Layout

RJ45

