



Single and three-phase diode circuits come in a panel mount package that provides 2500 Vrms isolation from the terminals to the ceramic base. Available in ratings up to 1600 Volts, all models are UL recognized E72445.

- **Single and Three-Phase Circuits**
- **Up to 1600 Volt Blocking Standard**

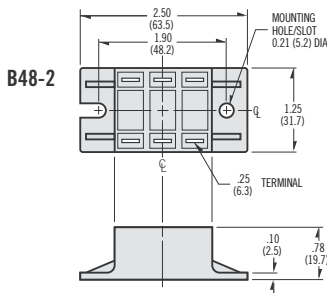
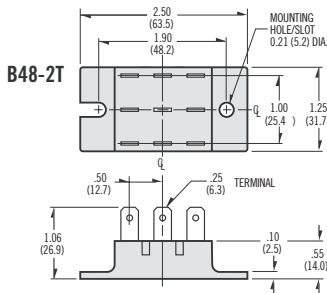
Part Number Identification

Series	Circuit Type	Voltage	Case Style
B48	1 - 5 (see schematic diagrams)	B - 400 (120 Vac) C - 600 (240Vac) E - 1000 (380Vac)	-2T (Std) -2 with Isolation Barriers
		F - 1200 (480Vac) G - 1400 (530Vac) H - 1600 (600Vac)	

Example: B483C-2T

Mechanical Dimensions

All dimensions are in inches (millimeters)

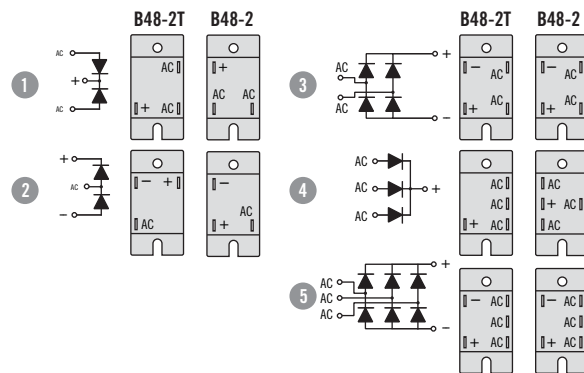


Electrical Specifications

		SINGLE PHASE	THREE PHASE
I_D	Maximum DC Output Current @ $T_c = 85^\circ\text{C}$ (A)	35	55
V_F	Maximum Voltage Drop @ Amps Peak	1.25V @ 35A	1.35V @ 50A
T_j	Operating Junction Temperature Range	-40°C to +125°C	
V_{RMS}	Repetitive Peak Reverse Voltage (AC Line Input Voltage)	400 (120Vac) 600 (240Vac) 1000 (380Vac) 1200 (480Vac) 1400 (530Vac) 1600 (600Vac)	
I_{TSM}	Maximum Non-Repetitive Surge Current (A) [$1/2$ Cycle, 60Hz]	600	
I^2T	Maximum I^2T for Fusing ($A^2\text{sec}$) [$t=8.3\text{ms}$]	1500	
$R_{\theta JC}$	Maximum Thermal Resistance Junction to Ceramic Base per Chip	0.9°C/W	
V_{ISOL}	Isolation Voltage	2500 V_{RMS}	

Mechanical Specifications

Weight (Typical) 1.5 oz. (42.5g)



ISO9001 CERTIFIED

Competitive part number cross-reference available at: www.cynergy3.com

Approvals

UL - E72445

USA
Sales & Tech Support (866) 258-5057
Email: sales@cynergy3.com
Cynergy3 Components
2320 Paseo de las Americas, Suite 104
San Diego, CA 92154

EUROPE - UK
Telephone +44 (0) 1202 897969
Fax +44 (0) 1202 891918
Email: sales@cynergy3.com
Cynergy3 Components Ltd.
7 Cobham Road
Ferndown Industrial Estate
Wimborne, Dorset BH21 7PE

ASIA - Thailand
Telephone +66 (0)2 665 2517
Fax +66 (0)2 665 2588
Cynergy 3 Components, Asia
18/8 Fico Place 12th Floor
Soi Sukhumvit 21 (Asoke)
Klongtoey Nua, Wattana
Bangkok, Thailand 10110