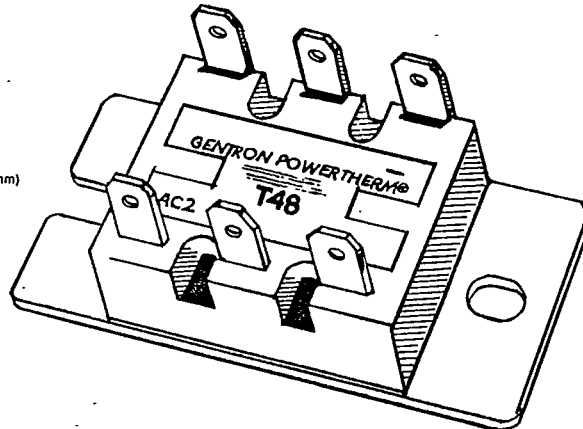
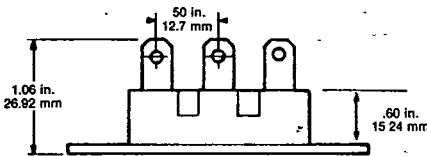
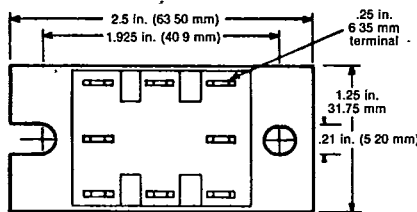
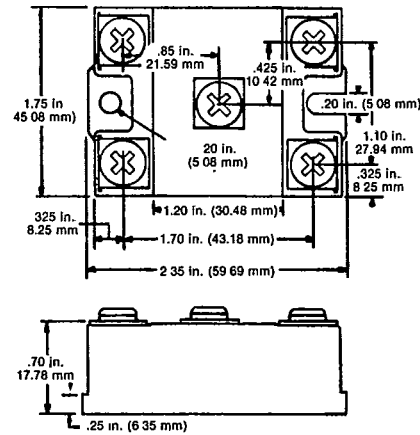
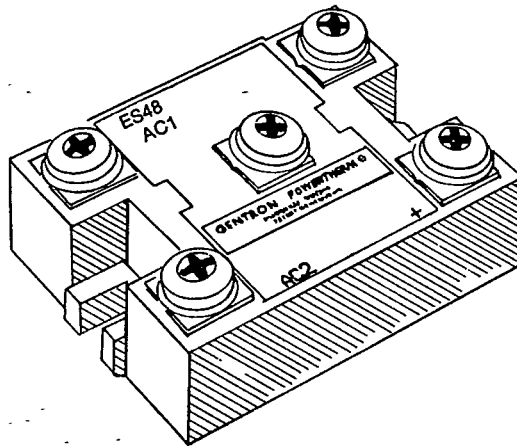


**GENTRON INTRODUCES
POWER THERM**

ES48/58 & T48 Bridge Rectifier Circuits

Gentron's ES48/58 and T48 Bridge Rectifier Circuits offer all the advantages of Gentron's exclusive POWER THERM process. This process guarantees low thermal resistance from the chip to the heat sink mounting plate. The POWER THERM process also offers a high surge capability.

Numerous circuits are available in the "48" series. In addition to these shown here, individual circuits with voltage suppressors are available. All circuits are available with ratings to 1200 volts.



T.23-07

ELECTRICAL SPECIFICATIONS

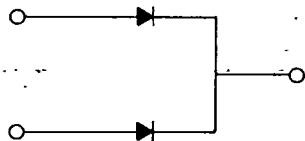
Series	48 & 58	T (48 only)	ES-48	ES-58
VPIV	Peak Inverse Voltage	1200	1200	1200
IT(DC)	Maximum output current (A) @ 75°C base temperature	10 50	65	100
IRA	Reverse avalanche test (MA)	30 50	80	125
IR	Reverse leakage micro amps @ 25°C at rated PIV	10	10	10
IR	Reverse leakage micro amps. @ 100°C at rated PIV	100	100	100
ITSM	Maximum (non-repetitive) surge per leg 8.3 M.S.	500	500	500
ITSM	Maximum (repetitive) surge per leg	800	800	2000
VFM	Maximum peak forward voltage drop at 125°C	1.20V @.50A	700	1500
Hi Pot Test	Terminal to base	1.50V @100A	2.5KVDC	1.6V @400A
ΘJB	Thermal resistance, chip to base	2.5KVDC	2.5KVDC	2.5KVDC
	Temp Operating	.4°C/W Max.	.3°C/W Max.	.25°C/W Max.
	Temp Storage	-25°C + 125°C		

SEE PAGE 3-54 FOR MOUNTING REQUIREMENTS

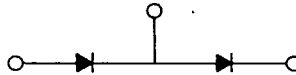
PART NUMBER IDENTIFICATION

Series	Type	Voltage	Example: SPFW 400V T483B
481/581	1 (SPCT)	A = 200	Option: Add "SE" for external suppressor.
482/582	2 (Doubler)	B = 400	
483/583	3 (SPFW)	C = 600	
484/584	4 (TPHW)	D = 800	
485/585	5 (TPFW)	E = 1000 G = 1400	
		F = 1200 H = 1600	

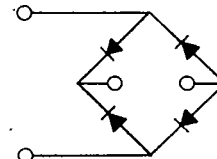
ELECTRICAL SCHEMATICS



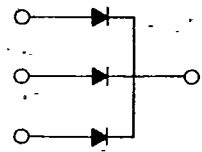
481/581 Single phase center tap



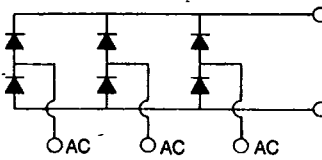
482/582 Doubler



483/583 Single phase full wave



484/584 Three phase half wave



485/585 Three phase full wave

