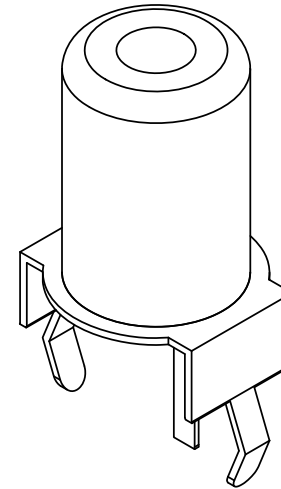
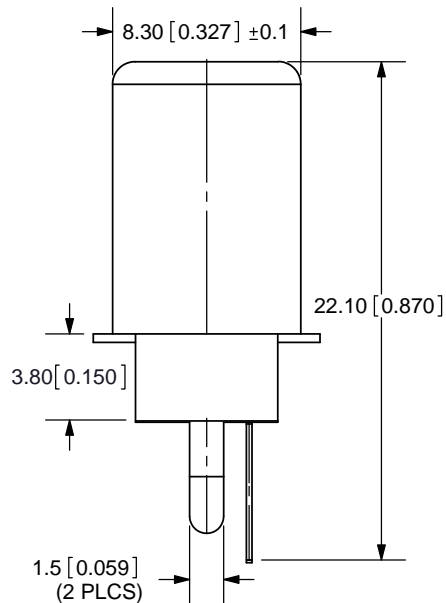
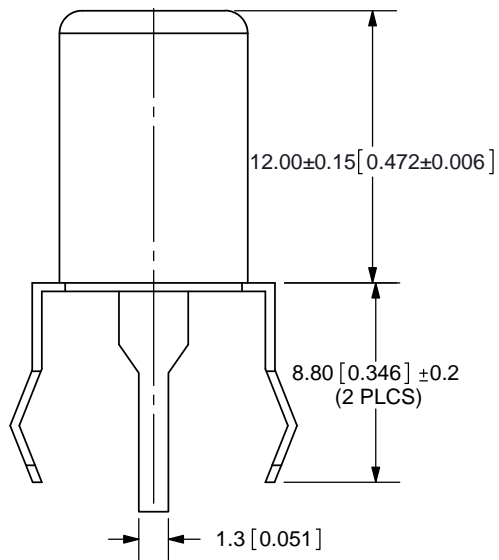
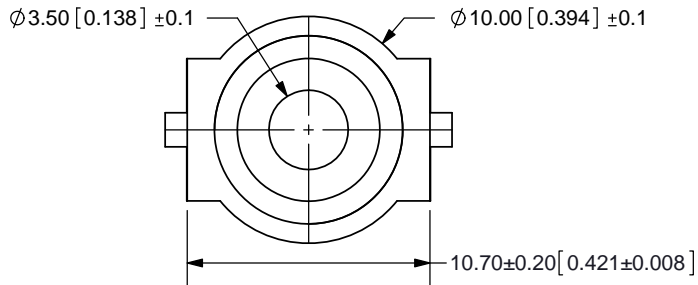
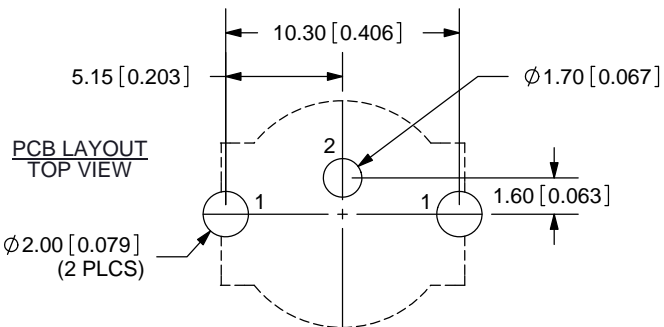


REV.	DESCRIPTION	DATE
A	NEW DRAWING	1/10/2006
B	Updated drawing	5/08/2013



**SPECIFICATIONS:**  
 CONTACT RESISTANCE: 30m OHMS MAX  
 INSULATION RESISTANCE: 100M OHMS MIN: 500V DC  
 VOLTAGE WITHSTAND: 500V AC R.M.S. FOR 1 MINUTE  
 LIFE: 5,000 CYCLES  
 OPERATING TEMP: -20 ~ 85°C

TOLERANCE:  
 ±0.3mm UNLESS OTHERWISE SPECIFIED



COLOR INDEX	
PART NO.	COLOR
RCJ-021	Black
RCJ-022	Red
RCJ-023	White
RCJ-024	Yellow
RCJ-025	Blue
RCJ-026	Green
RCJ-027	Orange



20050 SW 112th Ave.  
 Tualatin, OR 97062  
 Phone: 503-612-2300  
 800-275-4899  
 Fax: 503-612-2383  
 Website: www.cui.com

MODEL NO.	RCJ-02X
SCHEMATIC	

	MATERIAL	PLATING
SHELL	Brass	Nickel
MOUNTING BRACKET	Iron	Tin
PIN	Brass	Tin
INSULATOR	PBT	see color index

TITLE: RCA Jack, Metal, Vertical, PCB Mount	REV: B
PART NO. RCJ-02X	UNITS: MM [INCHES]
DRAWN BY: RDS	APPROVED BY:
	SCALE: 3:1

PC FILE NAME:  
 RCJ-02X

COPYRIGHT 2013 BY CUI INC.