

Incandescent Indicators for Translucent Panel Edge Lighting

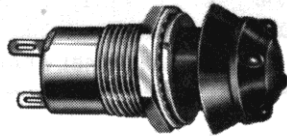
for use with MIL-P-7788 Plastic Panels

FOR FRONT MOUNTING IN 15/32" CLEARANCE HOLE



**T-1 3/4
MIDGET
FLANGE BASE**

See lamp ratings
on page J.



271-8430-0111-702

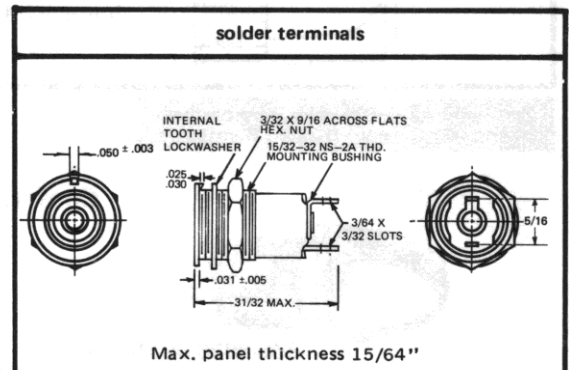
TWO TERMINALS – FULLY INSULATED

These indicators are designed to emit light through a colored filter radially into the plastic plate. A resilient light seal washer (light trap) insures against light loss at the front of the panel.

MATERIALS AND FINISHES

- **Mounting Bushing:** Brass, cadmium plated with yellow iridescent chromate finish.
- **Hardware:** Internal-tooth lockwasher and hex mounting nut— Steel, cadmium plated with yellow iridescent chromate finish.
- **Terminals:** Solder – Brass, hot-tinned, with elongated slots.

Anti-rotation Notch on face of flange prevents rotation of unit while nut is being tightened.
Note: On all units, the shank of the lens holder is crimped in 3 evenly spaced places to secure the lamp.



HOLDER (filter cap) ASSEMBLY PART NUMBERS

BASE PART NUMBERS

271-8430-702

	Part number	Top color	Filter color	Light seal washer-opaque	COMPLETE ASSEMBLY PART NUMBERS
	271-0121	Black	Green	Black	271-8430-0121-702
271-0131	Black	Amber	Black	271-8430-0131-702	
271-0222	Gray	Green	Gray	271-8430-0222-702	
271-0232	Gray	Amber	Gray	271-8430-0232-702	

Part numbers shown in gray are normally in inventory at your Dialight Distributor.

Order complete with lamp to be assured of receiving the indicator light and correct lamp together for immediate use.