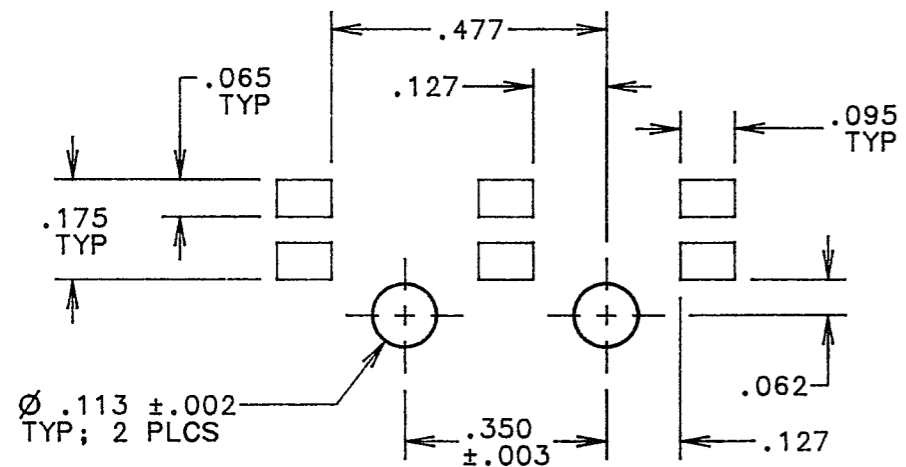


(FRONT PANEL & MODULE NOT SHOWN IN THIS VIEW)



SOLDER PAD/HOLES LAYOUT

NOTES:

1. COMPONENT TO BE MOLDED IN A CLEAR TRANSMISSIVE POLYCARBONATE.
2. COMPONENT DESIGNED TO BE "PRESSED" INTO P.C. BOARD.
3. COMPONENT DESIGNED TO BE USED WITH DIALIGHT LIGHTSOURCE P/N: 597-3X01-2XX SMT LED.

A	NEW RELEASE	M.C. M.C. 2-10-98
LTR	ECN NO.	REVISIONS
THIS DRAWING AND THE CONTENTS HEREIN ARE CONFIDENTIAL AND THE SOLE PROPERTY OF DIALIGHT. REPRODUCTION OF THIS DRAWING OR CONSTRUCTION OF ANY PARTS WITHIN THIS DRAWING ARE FORBIDDEN WITHOUT THE PRIOR WRITTEN CONSENT OF DIALIGHT.		
SCALE: 3:1	CUSTOMER DRAWING NO.	DWG. REV.
TOLERANCES: UNLESS OTHERWISE SPECIFIED ALL DIM'S IN: INCHES	C-16336	A
FRACTIONS: ± 1/64 DECIMALS(.XX) ± .02 DECIMALS(.XXX) ± .015 ANGLES ± 3°	TITLE	3-ELEMENT LIGHPIPE
FINISH:	PART NUMBER	515-1078
FSCM 83330	Dialight	1913 Atlantic Ave. Manasquan, NJ 08736