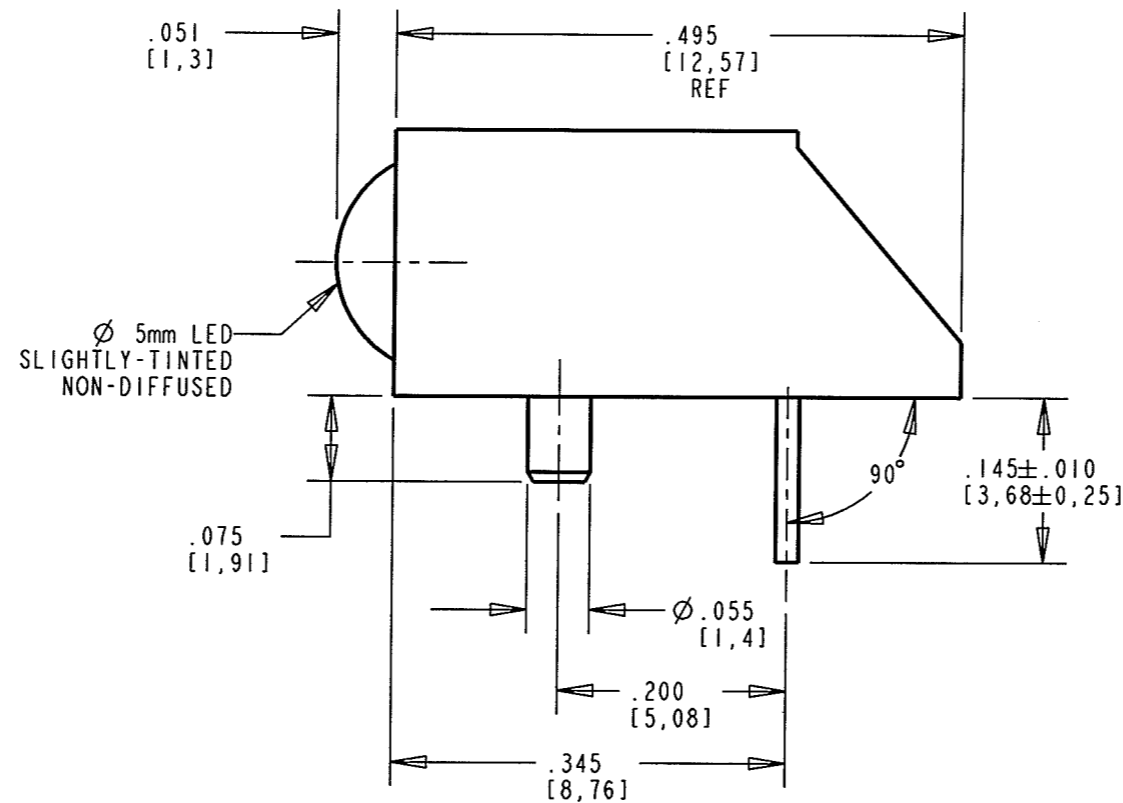
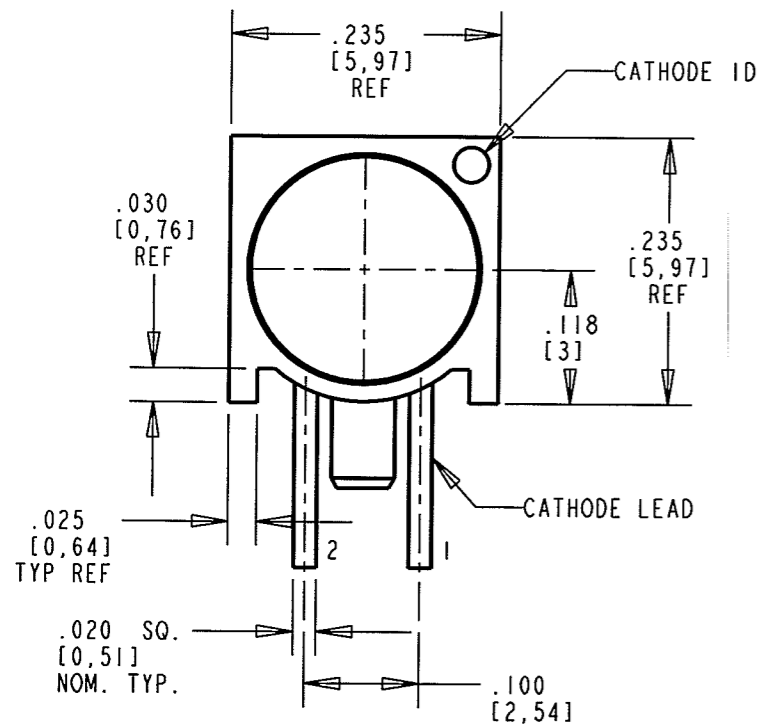


| REV | ECN NO | REVISIONS | DRN | CKD | APP | DATE |
|-----|--------|-------------|-----|------|---------|------|
| A | | NEW RELEASE | KLJ | n.c. | 8/21/08 | |

| OPERATING CHARACTERISTICS AT 25°C AMBIENT | | | | | | | | |
|---|-------|---|-------|--|-----|--------------------------|----------------------|---------------------|
| DIALIGHT PART NUMBER | COLOR | LUMINOUS INTENSITY $\theta_{1/2} = 20 \text{ mA}$ (mcd) | | FORWARD VOLTAGE $\theta_{1/2} = 20 \text{ mA}$ (V) | | DOMINANT WAVELENGTH (nm) | PEAK WAVELENGTH (nm) | VIEWING ANGLE (DEG) |
| | | MIN | TYP | TYP | MAX | TYP | TYP | TYP |
| | | 550-1510-805F | GREEN | 170 | 300 | 2.2 | 3.0 | 570 |
| 550-1610-806F | AMBER | 1600 | 3100 | 2.02 | 2.4 | 590 | 592 | 15 |
| 550-1710-807F | RED | 1400 | 2100 | 1.9 | 2.4 | 626 | 635 | 15 |

| ABSOLUTE MAXIMUM RATINGS AT 25°C AMBIENT | 550-1510-805F (GREEN) | 550-1610-806F (AMBER) | 550-1710-807F (RED) | UNITS |
|---|-----------------------|-----------------------|---------------------|-------|
| CONTINUOUS FORWARD CURRENT | 30 | 50 | 50 | mA |
| REVERSE VOLTAGE ($I_R = 100 \mu\text{A}$) | 5 | | | V |
| SOLDERING TEMPERATURE (.06 in. BELOW SEATING PLANE FOR 5 SEC) | 260 | | | °C |
| OPERATING TEMPERATURE | -20 TO +100 | -40 TO +100 | -40 TO +100 | °C |
| STORAGE TEMPERATURE | -55 TO +100 | -40 TO +120 | -40 TO +120 | °C |

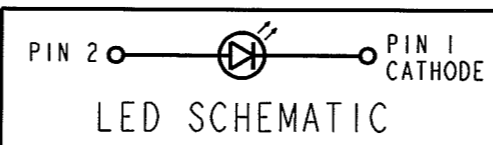
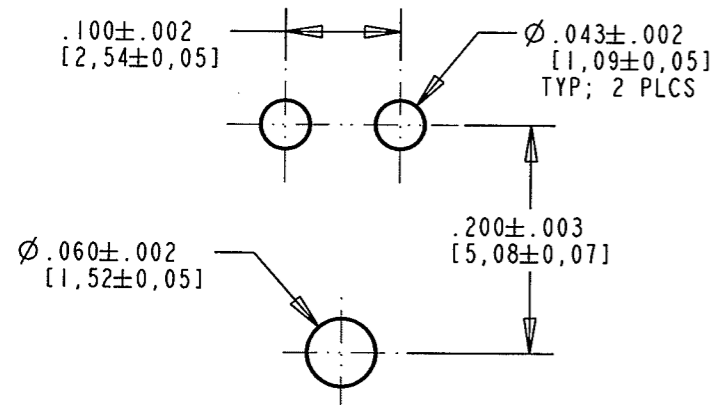


RoHS COMPLIANT 550-1X10-80XF

Part Numbers with the "F" suffix ending are RoHS Compliant. For example: 550-1610-806F. Packaging is marked with "RoHS Compliant" label or equivalent markings. Parts can be wave soldered, dip soldered or hand soldered using typical lead-free soldering process with max 260°C temp. for 5 sec.

NOTES:

- LED LEAD DIMENSIONS SHOWN ARE MEASURED AT HOUSING EXIT.
- LEADS TO FIT INTO HOLES SPACED AS PER PATTERN.
- PIN NUMBERS FOR REFERENCE ONLY, DESIGNATION NON-EXISTENT ON PART.
- DIALIGHT PART NUMBERS: 550-1510-805F (GREEN)
550-1610-806F (AMBER)
550-1710-807F (RED)
- THIS ASSEMBLY CONTAINS ELECTROSTATIC DISCHARGE SENSITIVE DEVICES (ESDS). MAINTAIN ALL PRECAUTIONARY MEASURES DURING ASSEMBLY, HANDLING, AND STORAGE IN ACCORDANCE WITH IPC-A-610.



RECOMMENDED HOLE PATTERN



ATTENTION:
OBSERVE PRECAUTIONS FOR
HANDLING ELECTROSTATIC
SENSITIVE DEVICES

| | | |
|---|--|-----|
| THIS DRAWING AND THE CONTENTS HEREIN ARE CONFIDENTIAL AND THE SOLE PROPERTY OF DIALIGHT. REPRODUCTION OF THIS DRAWING OR CONSTRUCTION OF ANY PARTS WITHIN THIS DRAWING ARE FORBIDDEN WITHOUT THE WRITTEN CONSENT OF DIALIGHT. | | |
| SCALE: 6.000 | DRAWING NUMBER | REV |
| ALL DIM'S IN: INCHES (MM) | C-17654 | A |
| TOLERANCES: UNLESS OTHERWISE SPECIFIED | TITLE CBI 5mm BACKLIGHT RoHS COMPLIANT | |
| FRACTIONS: $\pm 1/64$ DECIMALS (.XX): $\pm .02$ DECIMALS (.XXX): $\pm .015$ | MATERIAL | |
| ANGLES: $\pm 3^\circ$ | Dialight | |
| FINISH: | 1501 ROUTE 34 SOUTH FARMINGDALE, NJ 07727 | |
| FSCM 83330 | SHEET 1 OF 1 FAMILY TABLE: | |