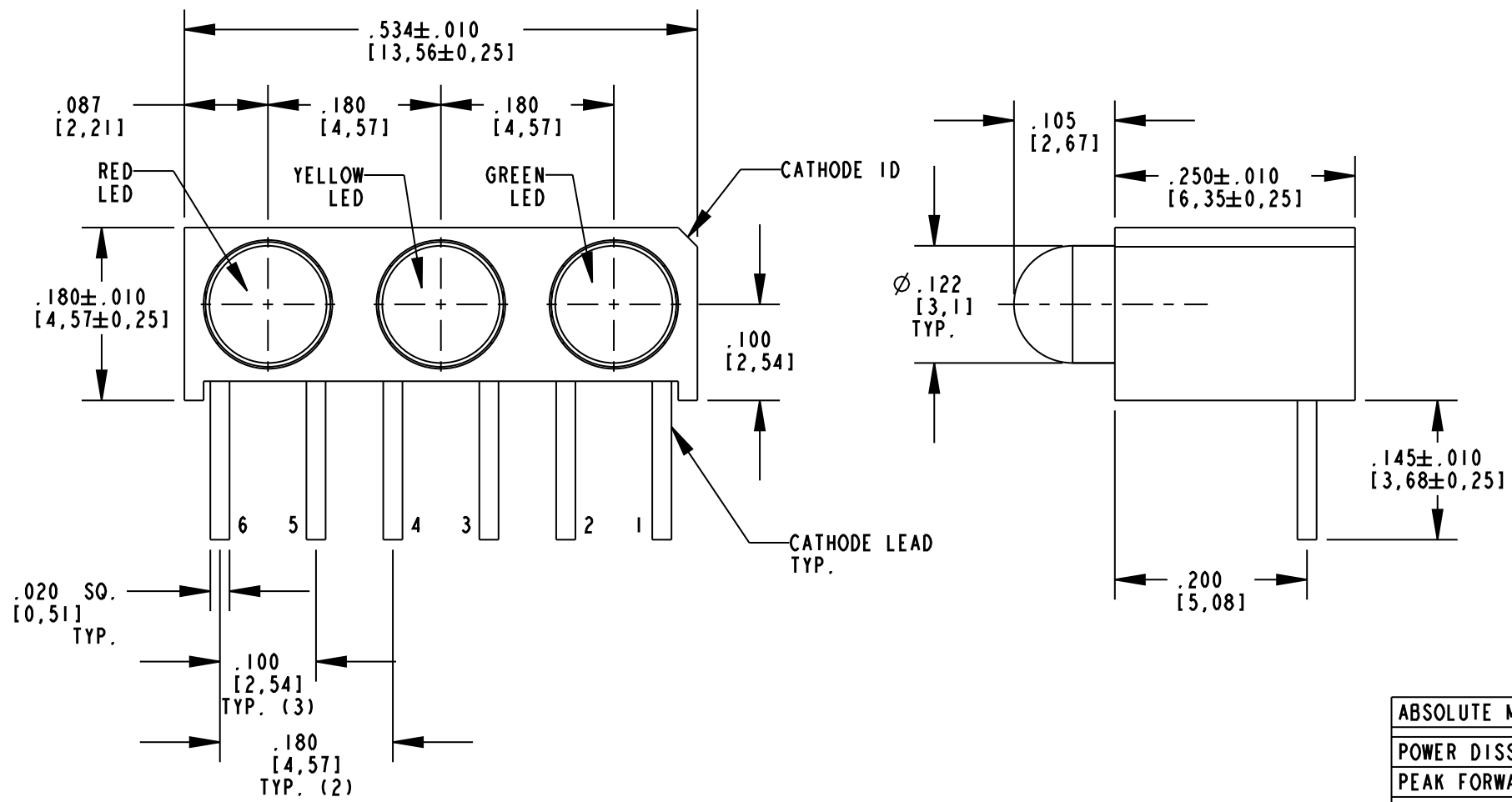


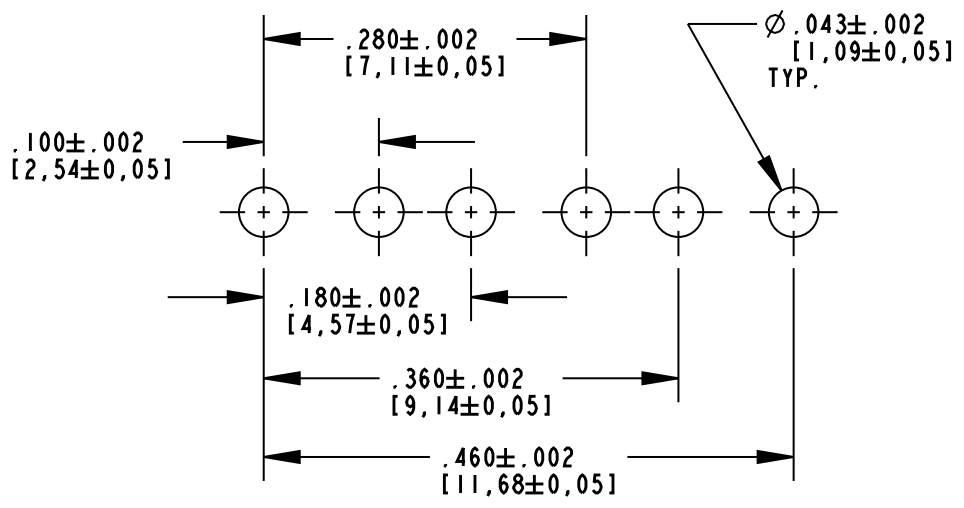
REV	ECN NO	REVISIONS	DRN	CKD	APP	DATE
A		NEW RELEASE	AJF	KLJ	NO	9-10-10



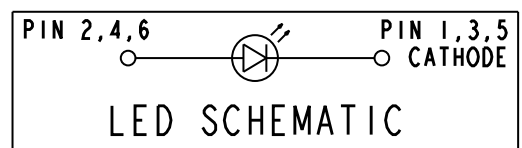
RoHS COMPLIANT 551-0003-819F
 Part Numbers with the "F" suffix ending are RoHS Compliant.
 Packaging is marked with "RoHS Compliant" label or equivalent markings. Parts can be wave soldered, dip soldered or hand soldered using typical lead-free soldering process with max 260°C temp. for 5 sec.

OPERATING CHARACTERISTICS AT 25°C AMBIENT						
LED CHARACTERISTICS	COLOR	MIN.	TYP.	MAX.	UNITS	TEST CONDITIONS
LUMINOUS INTENSITY	RED	11.0	14.5	18.0	mcd	I _f = 10 mA
	YELLOW	5.6	8.3	11.0		
	GREEN	9.0	13.5	18.0		
PEAK WAVELENGTH	RED		650		nm	
	YELLOW		585			
	GREEN		563			
FORWARD VOLTAGE	RED		2.0	3.0	V	I _f = 10 mA
	YELLOW		2.1	3.0		
	GREEN		2.1	3.0		
REVERSE CURRENT	ALL			10	μA	V _r = 3 V

ABSOLUTE MAXIMUM RATINGS AT 25°C AMBIENT				RED	YELLOW	GREEN	UNITS
POWER DISSIPATION				60	60	75	mW
PEAK FORWARD CURRENT (1/5 DUTY CYCLE, 1ms PULSE WIDTH)				60	60	60	mA
CONTINUOUS FORWARD CURRENT				20	20	25	mA
REVERSE VOLTAGE				3	3	3	V
OPERATING TEMPERATURE				-25 TO +85			°C
STORAGE TEMPERATURE				-30 TO +100			°C



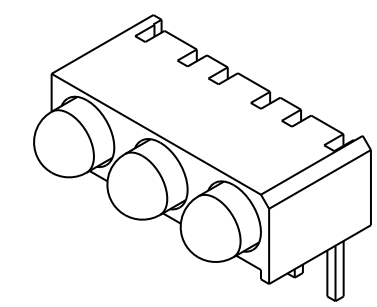
RECOMMENDED HOLE PATTERN GAUGE



ATTENTION:
 OBSERVE PRECAUTIONS FOR
 HANDLING ELECTROSTATIC
 SENSITIVE DEVICES

NOTES:

- LED COLOR: GaAsP/GaP RED, GaP GREEN & GaAsP YELLOW.
- EPOXY COLOR: TINTED DIFFUSED.
- LED LEAD DIMENSIONS SHOWN ARE MEASURED AT HOUSING EXIT.
- LEADS TO FIT INTO HOLES SPACED AS PER PATTERN.
- PIN NUMBERS FOR REFERENCE ONLY, DESIGNATION NON-EXISTENT ON PART.
- DIALIGHT PART NUMBER: 551-0003-819F.
- THIS ASSEMBLY CONTAINS ELECTROSTATIC DISCHARGE SENSITIVE DEVICES (ESDS). MAINTAIN ALL PRECAUTIONARY MEASURES DURING ASSEMBLY, HANDLING, AND STORAGE IN ACCORDANCE WITH IPC-A-610.



SCALE 3.000

THIS DRAWING AND THE CONTENTS HEREIN ARE CONFIDENTIAL AND THE SOLE PROPERTY OF DIALIGHT. REPRODUCTION OF THIS DRAWING OR CONSTRUCTION OF ANY PARTS WITHIN THIS DRAWING ARE FORBIDDEN WITHOUT THE WRITTEN CONSENT OF DIALIGHT.

SCALE: 6.000 ALL DIM'S IN: INCHES (MM)	DRAWING NUMBER C-17865	REV A
TOLERANCES: UNLESS OTHERWISE SPECIFIED FRACTIONS: ±1/64 DECIMALS (.XX): ±.02 DECIMALS (.XXX): ±.015	TITLE ∅ 3mm LED CBI TRI-BLOCK	
ANGLES: ±1° FINISH:	MATERIAL	
FSCM 83330	1501 ROUTE 34 SOUTH FARMINGDALE, NJ 07727	
SHEET 1 OF 1 FAMILY TABLE:		