

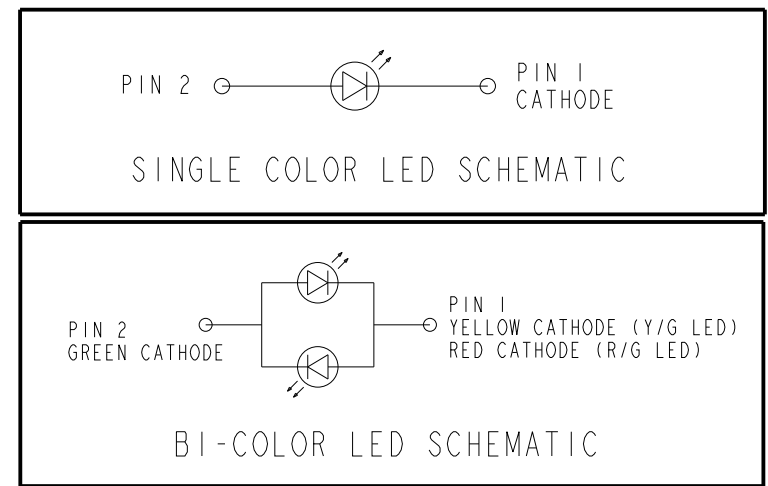
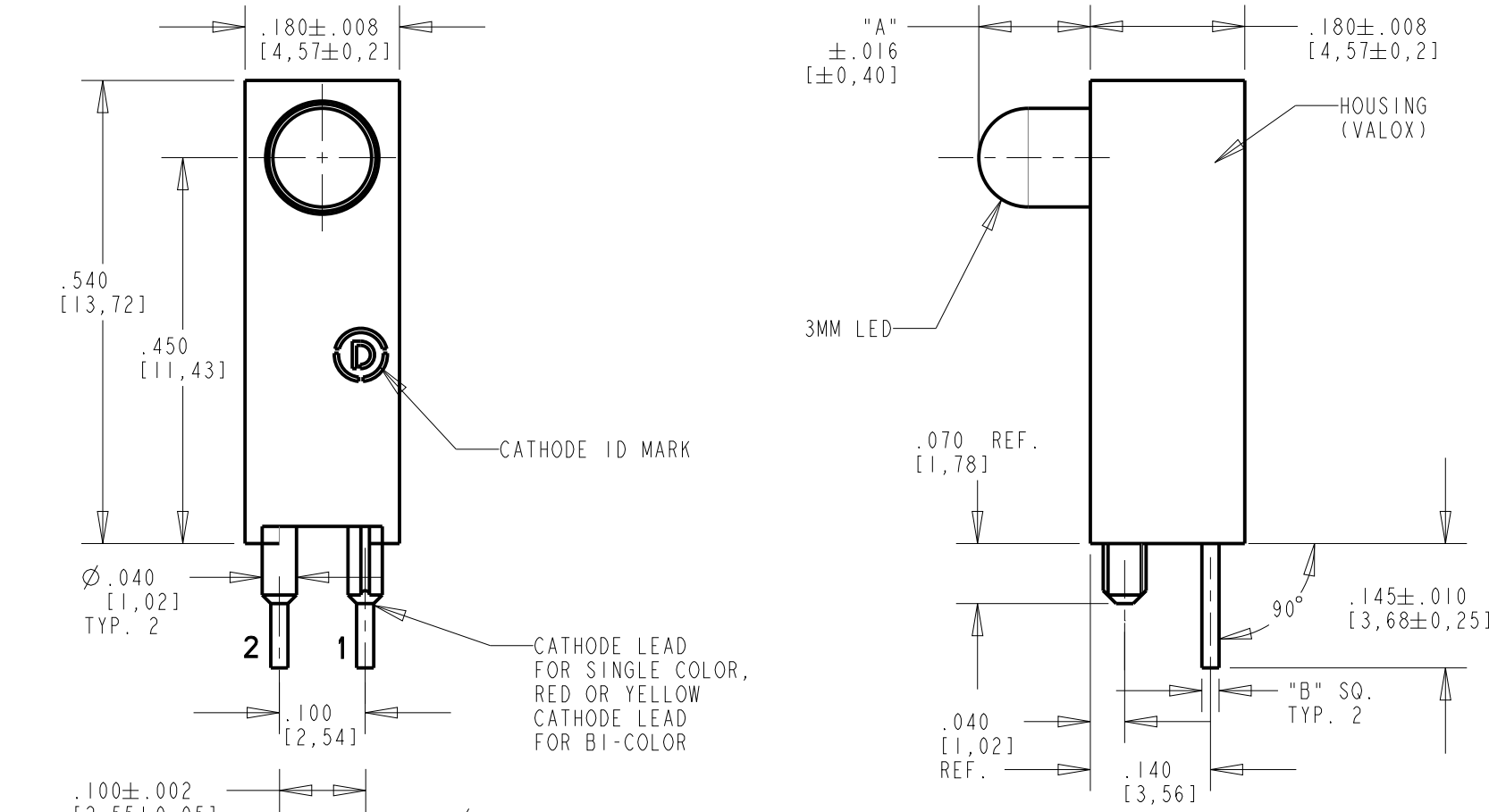
OPERATING CHARACTERISTICS AT 25°C AMBIENT								
PART NUMBER	FORWARD VOLTAGE/CURRENT			REVERSE VOLTAGE (V)	PEAK WAVELENGTH (nm)	LUMINOUS INTENSITY (mcd)		TEST CONDITIONS
	MIN.	TYP.	MAX.		TYP.	MIN.	TYP.	
551-0204F	1.5 V	2.1 V	2.6 V	V _R = 5 V MIN. @ 10 μA	565	5.6	12.6	I _F = 10 mA
551-0304F		2.1 V	2.6 V	V _R = 5 V MIN. @ 10 μA	585	3.7	8.7	I _F = 10 mA
551-0404F		2.0 V	2.6 V	V _R = 5 V MIN. @ 10 μA	635	2.5	8.7	I _F = 10 mA
551-0504F		10 mA	20 mA	V _R = 5 V MIN. @ 100 μA	635	8.7	29	V _F = 5 V
551-0604F		10 mA	20 mA	V _R = 5 V MIN. @ 100 μA	565	5.6	19	V _F = 5 V
551-0704F		10 mA	20 mA	V _R = 5 V MIN. @ 100 μA	585	3.7	12.6	V _F = 5 V
551-1104F		1.7 V	2.2 V	V _R = 5 V MIN. @ 50 μA	635	1.0	1.6	I _F = 2 mA
551-1204F		1.8 V	2.7 V	V _R = 5 V MIN. @ 50 μA	585	1.0	1.6	I _F = 2 mA
551-1304F		1.9 V	2.2 V	V _R = 5 V MIN. @ 50 μA	565	1.0	1.6	I _F = 2 mA
551-2504F	1.5 V	2.2 V	3.0 V	V _R = 5 V MIN. @ 100 μA	600	3.4	7.0	I _F = 10 mA
551-3004F				N/A	635/565	2.5/3.7	4.7/10	I _F = 10 mA
		2.0/2.1	2.8/2.8					I _F = 20 mA
551-3104F				N/A	585/565	2.5/2.5	4.3/6.3	I _F = 10 mA
		2.1/2.1	2.8/2.8					I _F = 20 mA

REV.	ECN NO.	REVISIONS	DRN.	CKD.	APP.	DATE
A	—	NEW RELEASE	TWC	—	—	—
B	—	UPDATED DIMENSION A AND LED SPECS FOR P/N 551-0204F/0304F/0404F.	BP	—	NO	8-22-16

NOTES:

- LEADS TO FIT INTO HOLES SPACED AS PER HOLE PATTERN.
- LED LEAD DIMENSIONS SHOWN ARE MEASURED AT HOUSING EXIT.
- PIN NUMBERS ARE FOR REFERENCE ONLY. DESIGNATIONS ARE NON-EXISTENT ON PART.
- DIALIGHT PART NUMBER: 551-0204F THRU 551-3104F
- THIS ASSEMBLY CONTAINS ELECTROSTATIC DISCHARGE SENSITIVE DEVICES (ESDS). MAINTAIN ALL PRECAUTIONARY MEASURES DURING ASSEMBLY, HANDLING AND STORAGE IN ACCORDANCE WITH IPC-A-610.

PART NUMBER	LED COLOR	"A" DIMENSION	"B" DIMENSION	"C" DIMENSION
551-0204F	GREEN DIFFUSED	.130 [3,30]	.016x.018 [0.41x0.46]	.040 [1,02]
551-0304F	YELLOW DIFFUSED	.130 [3,30]	.016x.018 [0.41x0.46]	.040 [1,02]
551-0404F	RED DIFFUSED	.130 [3,30]	.016x.018 [0.41x0.46]	.040 [1,02]
551-0504F	RED W/RESISTOR 5V	.130 [3,30]	.018 [0,46]	.040 [1,02]
551-0604F	GREEN W/RESISTOR 5V	.130 [3,30]	.018 [0,46]	.040 [1,02]
551-0704F	YELLOW W/RESISTOR 5V	.130 [3,30]	.018 [0,46]	.040 [1,02]
551-1104F	2 mA RED DIFFUSED	.130 [3,30]	.018 [0,46]	.040 [1,02]
551-1204F	2 mA YELLOW DIFFUSED	.130 [3,30]	.018 [0,46]	.040 [1,02]
551-1304F	2 mA GREEN DIFFUSED	.130 [3,30]	.018 [0,46]	.040 [1,02]
551-2504F	ORANGE DIFFUSED	.130 [3,30]	.018 [0,46]	.040 [1,02]
551-3004F	RED/GREEN BI-COLOR	.136 [3,45]	.020 [0,51]	.043 [1,09]
551-3104F	YELLOW/GREEN BI-COLOR	.130 [3,30]	.020 [0,51]	.043 [1,09]



RoHS Compliant 551-XX04F Thru hole CBI

Part Numbers with the "F" suffix ending are RoHS Compliant.
 Example: 551-3104F
 Packaging is marked with "RoHS Compliant" label or equivalent markings.
 Parts can be wave soldered, dip soldered or hand soldered using typical lead-free soldering process with max 260°C temp. for 5 sec.



ATTENTION:
 OBSERVE PRECAUTIONS FOR
 HANDLING ELECTROSTATIC
 SENSITIVE DEVICES

RECOMMENDED P.C. BOARD HOLE PATTERN

THIS DRAWING AND THE CONTENTS HEREIN ARE CONFIDENTIAL AND THE SOLE PROPERTY OF DIALIGHT. REPRODUCTION OF THIS DRAWING OR CONSTRUCTION OF ANY PARTS WITHIN THIS DRAWING ARE FORBIDDEN WITHOUT THE WRITTEN CONSENT OF DIALIGHT.		
SCALE: 5.000 ALL DIM'S IN: INCHES (MM)	DRAWING NUMBER C-17392	REV B
TOLERANCES: UNLESS OTHERWISE SPECIFIED FRACTIONS: ±1/64 DECIMALS (.XX): ±.020 DECIMALS (.XXX): ±.015 DECIMALS (.XXXX): ±.0005 ANGLES: ±3°	TITLE 3MM LED CBI, .450" HIGH LED RoHS COMPLIANT	
FINISH:	MATERIAL	
FSCM 83330	Dialight 1501 ROUTE 34 SOUTH FARMINGDALE, NJ 07727	
SHEET 1 OF 1 FAMILY TABLE:		