

| PART NUMBER | LED COLOR |
|-------------|-----------|
| 551-1502F | GREEN |
| 551-1602F | YELLOW |
| 551-1702F | RED |

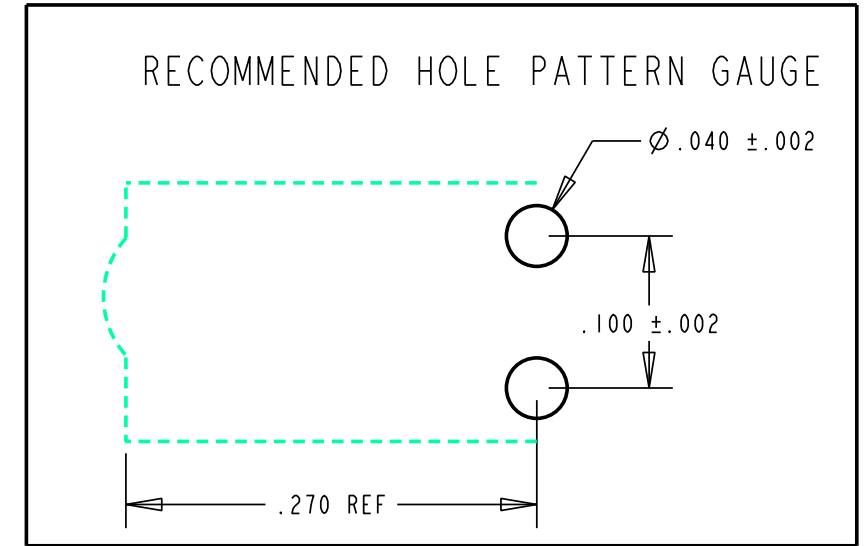
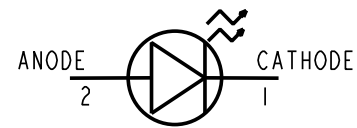
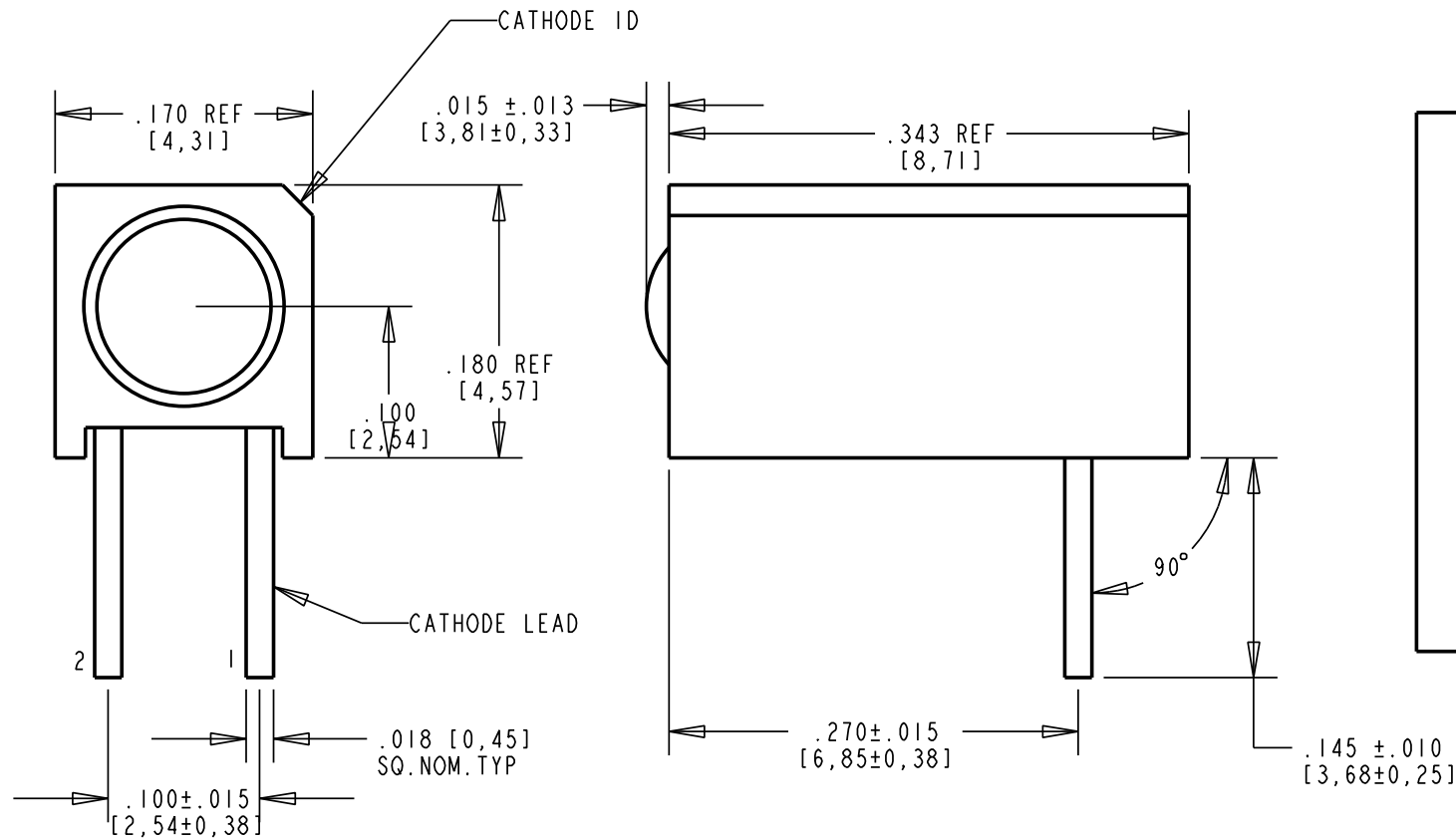
| REV | ECN NO | REVISIONS | DRN | CKD | APP | DATE |
|-----|--------|-------------|-----|-----|-----|------|
| A | — | NEW RELEASE | CE | AE | | |

RoHS Compliant 551-1X02F
 Part Numbers with the "F" suffix ending are RoHS Compliant.
 Example: 551-1502F
 Packaging is marked with "RoHS Compliant" label or equivalent markings.
 Parts can be wave soldered, dip soldered or hand soldered using typical lead-free soldering process with max 260°C temp. for 5 sec.

| GREEN OPERATING CHARACTERISTICS AT 25° C | | | | | |
|--|-----|-----|-----|-------|------------------------|
| CHARACTERISTICS | MIN | TYP | MAX | UNITS | TEST CONDITIONS |
| LUMINOUS INTENSITY | 32 | 50 | | mc d | I _F = 10 mA |
| FORWARD VOLTAGE | | 2.1 | 2.8 | V | I _F = 20 mA |
| REVERSE CURRENT | | | 100 | μA | 25° C |
| PEAK WAVELENGTH | 565 | | | nm | |

| YELLOW OPERATING CHARACTERISTICS AT 25° C | | | | | |
|---|-----|-----|-----|-------|------------------------|
| CHARACTERISTICS | MIN | TYP | MAX | UNITS | TEST CONDITIONS |
| LUMINOUS INTENSITY | 10 | | 50 | mc d | I _F = 10 mA |
| FORWARD VOLTAGE | | 2.1 | 2.8 | V | I _F = 20 mA |
| REVERSE CURRENT | | | 100 | μA | 25° C |
| PEAK WAVELENGTH | 585 | | | nm | |

| RED OPERATING CHARACTERISTICS AT 25° C | | | | | |
|--|-----|-----|-----|-------|------------------------|
| CHARACTERISTICS | MIN | TYP | MAX | UNITS | TEST CONDITIONS |
| LUMINOUS INTENSITY | 8.7 | 29 | | mc d | I _F = 10 mA |
| FORWARD VOLTAGE | | 2.0 | 2.8 | V | I _F = 20 mA |
| REVERSE CURRENT | | | 100 | μA | 25° C |
| PEAK WAVELENGTH | 635 | | | nm | |



NOTES:

- LEADS TO FIT INTO HOLES SPACED AS PER HOLE PATTERN GAUGE
- LEADS TO BE FREE OF DEFORMATION AFTER BENDING AND CUTTING
- LED LEAD DIMENSIONS SHOWN ARE MEASURED AT HOUSING EXIT
- LAMP MUST BE SEATED ALL THE WAY DOWN INTO THE HOUSING BENDS MUST BE TIGHT, NO LONGITUDINAL TRAVEL ALONG AXIS ALLOWED
- FOR DIALIGHT INTERNAL DRAWING REFER TO 551-1502F, 551-1602F, 551-1702F.
- THIS ASSEMBLY CONTAINS ELECTROSTATIC DISCHARGE SENSITIVE DEVICES (ESDS). MAINTAIN ALL PRECAUTIONARY MEASURES DURING ASSEMBLY, HANDLING AND STORAGE IN ACCORDANCE WITH IPC-A-610.

| ABSOLUTE MAXIMUM RATINGS AT 25 °C AMBIENT | UNITS | RED/GREEN | YELLOW |
|--|---------|------------|--------|
| POWER DISSIPATION | mW | 100 | 60 |
| DERATE LINEARLY FROM 50 °C | mA / °C | 0.4 | 0.25 |
| CONTINUOUS FORWARD CURRENT | mA | 30 | 20 |
| PEAK FORWARD CURRENT (1/10 DUTY CYCLE, 0.1 ms PULSE WIDTH) | mA | 120 | 80 |
| LEAD SOLDERING TEMPERATURE, 5 SEC., 1/16" FROM BODY | °C | 260 | |
| OPERATING TEMPERATURE | °C | -55 TO 100 | |
| STORAGE TEMPERATURE | °C | -55 TO 100 | |



ATTENTION:
 OBSERVE PRECAUTIONS FOR
 HANDLING ELECTROSTATIC
 SENSITIVE DEVICES

| | | |
|---|---|----------|
| THIS DRAWING AND THE CONTENTS HEREIN ARE CONFIDENTIAL AND THE SOLE PROPERTY OF DIALIGHT. REPRODUCTION OF THIS DRAWING OR CONSTRUCTION OF ANY PARTS WITHIN THIS DRAWING ARE FORBIDDEN WITHOUT THE WRITTEN CONSENT OF DIALIGHT. | | |
| SCALE: DRAWING SCALE ALL DIM'S IN: INCHES (MM) | DRAWING NUMBER C-17374 | REV A |
| TOLERANCES: UNLESS OTHERWISE SPECIFIED FRACTIONS: ±1/64 DECIMALS (.XX): ±.01 DECIMALS (.XXX): ±.005 DECIMALS (.XXXX): ±.0005 ANGLES: ±1° | TITLE 3mm LED CBI BLOCK RoHS COMPLIANT | MATERIAL |
| FINISH: | Dialight 1501 ROUTE 34 SOUTH FARMINGDALE, NJ 07727 | |
| FSCM 83330 | SHEET 1 OF 1 FAMILY TABLE: | |