

| PART NUMBER | LED COLOR(DIFFUSED) | | CUSTOMER P/N REF. |
|--------------|---------------------|-----------------|-------------------|
| | POSITION 1 | POSITION 2 | |
| 553-0122-801 | GREEN | GREEN | 4060002 |
| 553-0133-801 | YELLOW | YELLOW | 4060003 |
| 553-0123-801 | GREEN | YELLOW | 4060007 |
| 553-0112-801 | RED | GREEN | 4060004 |
| 553-0121-801 | GREEN | RED | 4060006 |
| 553-0132-802 | YELLOW | GREEN | 4060009 |
| 553-0111-801 | RED | RED | 4060001 |
| 553-0113-801 | RED | YELLOW | 4060005 |
| 553-0131-801 | YELLOW | RED | 4060008 |
| 553-0110-801 | RED | BLANK | 4060010 |
| 553-0120-801 | GREEN | BLANK | 4060011 |
| 553-0130-801 | YELLOW | BLANK | 4060012 |
| 553-0101-801 | BLANK | RED | 4060013 |
| 553-0102-801 | BLANK | GREEN | 4060014 |
| 553-0103-801 | BLANK | YELLOW | 4060015 |
| 553-0701-804 | BLANK | RD/GRN BI-COLOR | 4060027 |
| 553-0711-803 | RD/GRN BI-COLOR | RD/GRN BI-COLOR | 4060026 |
| 553-0712-806 | RD/GRN BI-COLOR | GREEN | 4060029 |
| 553-0713-807 | RD/GRN BI-COLOR | YELLOW | 4060030 |
| 553-0721-805 | GREEN | RD/GRN BI-COLOR | 4060028 |
| 553-0731-808 | YELLOW | RD/GRN BI-COLOR | 4060031 |
| 553-0710-810 | RD/GRN BI-COLOR | BLANK | 4060023 |
| 553-0711-811 | RED | RD/GRN BI-COLOR | 4060024 |
| 553-0711-814 | RD/GRN BI-COLOR | RED | 4060020 |

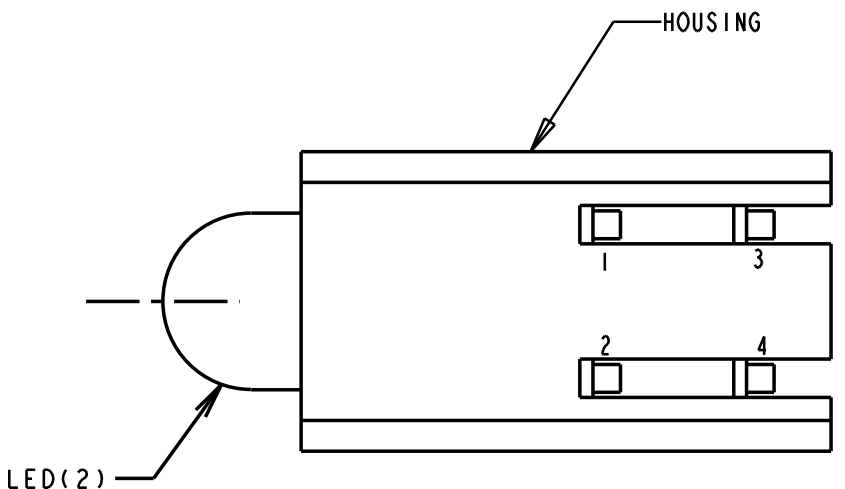
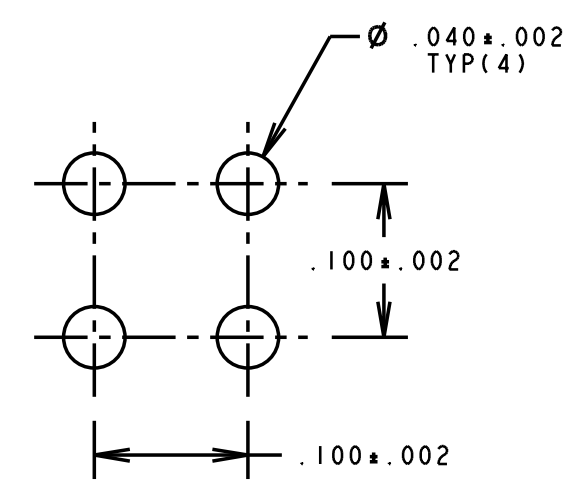
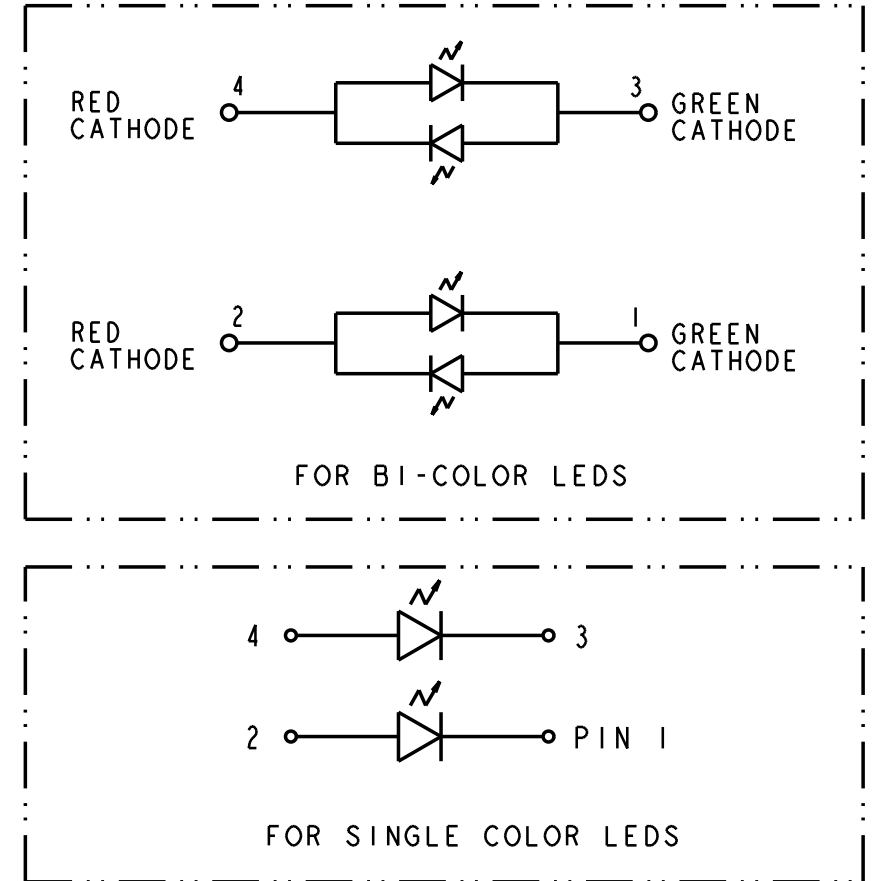
LED ELECTRO-OPTICAL CHARACTERISTICS (SINGLE COLOR LEDS)

| PARAMETER | RED | YELLOW | GREEN | UNITS | TEST COND. | SPECS |
|--|---------------------|------------|---------------|-------|-------------------------|---|
| POWER DISSIPATION | 100 | 60 | 100 | mW | N/A | ABSOLUTE MAXIMUM RATINGS AT T _A = 25°C |
| FORWARD DC CURRENT | 30 | 20 | 30 | mA | | |
| OPERATING TEMPERATURE | -55° TO +100° | | -55° TO +100° | °C | | |
| STORAGE TEMPERATURE | -55° TO +100° | | | °C | | |
| LEAD SOLDERING TEMP. (1/16" FROM CASE) | 260°C FOR 5 SECONDS | | | °C | | |
| FORWARD VOLTAGE | TYP 2.0 MAX 2.8 | 2.1 2.8 | 2.1 2.8 | V | | |
| REVERSE BREAKDOWN VOLTAGE | 5 MIN. | | | V | I _R = 100 uA | |
| PEAK WAVELENGTH | 635 | 585 | 565 | nm | MEAS. AT PEAK | |
| LUMINOUS INTENSITY | MIN 7.4 | 7.4 | 4.7 | mc d | I _F = 10 mA | |

| REV. | ECN NO. | REVISIONS | DRN. | CKD. | APP. | DATE |
|------|---------|---|------|------|------|----------|
| F | | ADDED P/N 553-0711-814. | YY | | N.O. | 7-12-94 |
| G | | ADDED CUSTOMER P/N REF. COLUMN | YY | | N.O. | 9-30-94 |
| H | | REVISED RED LED SPECS; ADDED NOTE 5; REVISED NOTE 4. | TC | D.C. | N.O. | 10-30-98 |
| J | | NOTE 4 LITE-ON LTL-4231N WAS HLMP 1585 AND REVISED GREEN LED SPECS. | TC | D.C. | N.O. | 3-18-99 |
| K | | REVISED YELLOW LED SPECS. | TC | | | |

BI-COLOR LEDS OPERATING CHARACTERISTICS AT T_A = 25°C

| SYMBOL | PARAMETER | COLOR | MIN | TYP | MAX | UNITS | TEST COND. |
|-------------------|--------------------|------------|-----|------|-----|-------|------------------------|
| V _F | FORWARD VOLTAGE | GaAlAs RED | | 1.8 | 2.4 | V | I _F = 20 mA |
| | | GREEN | | 2.1 | 2.8 | | |
| λ _{PEAK} | PEAK WAVELENGTH | GaAlAs RED | | 660 | | nm | |
| | | GREEN | | 565 | | | |
| I _V | LUMINOUS INTENSITY | GaAlAs RED | 3.7 | 12.6 | | mc d | I _F = 20 mA |
| | | GREEN | 1.1 | 3.7 | | | |



- NOTES:
- LEADS TO FIT INTO HOLES SPACED AS PER PATTERN.
 - PACKAGE 100 PC'S PER 4" X 5" ANTISTATIC AUTOBAG WITH P/N, QTY, DATE CODE AND MFG PRINTED ON BAG. PLACE 5 BAGS OF 100 PC'S EACH INTO AN APPROPRIATE SIZE ANTISTATIC ZIP LOCK BAG WITH APPROPRIATE BAR CODE LABEL. LABEL MUST CONTAIN THE FOLLOWING IN BAR CODE & HUMAN READABLE FORMAT: CUSTOMER P/N; DIALIGHT P/N; P.O. NUMBER; QTY PER BAG; DATE CODE. THE BAR CODE LABEL TO BE APPLIED TO BAG AND INNER CARTON. REFERENCE: CUSTOMER SPEC.: QP012.
 - PIN NUMBERS FOR REFERENCE ONLY, DESIGNATION NON-EXISTANT ON PART.
 - DIALIGHT LED GREEN DIFFUSED = LITE-ON LTL-4231N
RED DIFFUSED = LITE-ON LTL-4221N
YELLOW DIFFUSED = LITE-ON LTL-4251N
RED/GREEN BI-COLOR = LITE-ON LTL-14AWJ
 - DIALIGHT PART NUMBER: 553-01XX-801, -802
553-07XX-803 THRU -808
-810, -811, -814

THIS DRAWING AND THE CONTENTS HEREIN ARE CONFIDENTIAL AND THE SOLE PROPERTY OF DIALIGHT. REPRODUCTION OF THIS DRAWING OR CONSTRUCTION OF ANY PARTS WITHIN THIS DRAWING ARE FORBIDDEN WITHOUT THE WRITTEN CONSENT OF DIALIGHT.

SCALE 8:1

ALL DIM'S IN: INCHES

TOLERANCES: UNLESS OTHERWISE SPECIFIED

FRACTIONS: ±1/64

DECIMALS (.XX): ±.020

DECIMALS (.XXX): ±.015

ANGLES: ±1°

FINISH:

FSCM 83330

DRAWING NUMBER: C-15669

REV: K

TITLE:

MATERIAL:

Dialight 1913 ATLANTIC AVE. MANASQUAN, N. J. 08736

SHEET OF FAMILY TABLES:

RECOMMENDED PC BOARD HOLE PATTERN