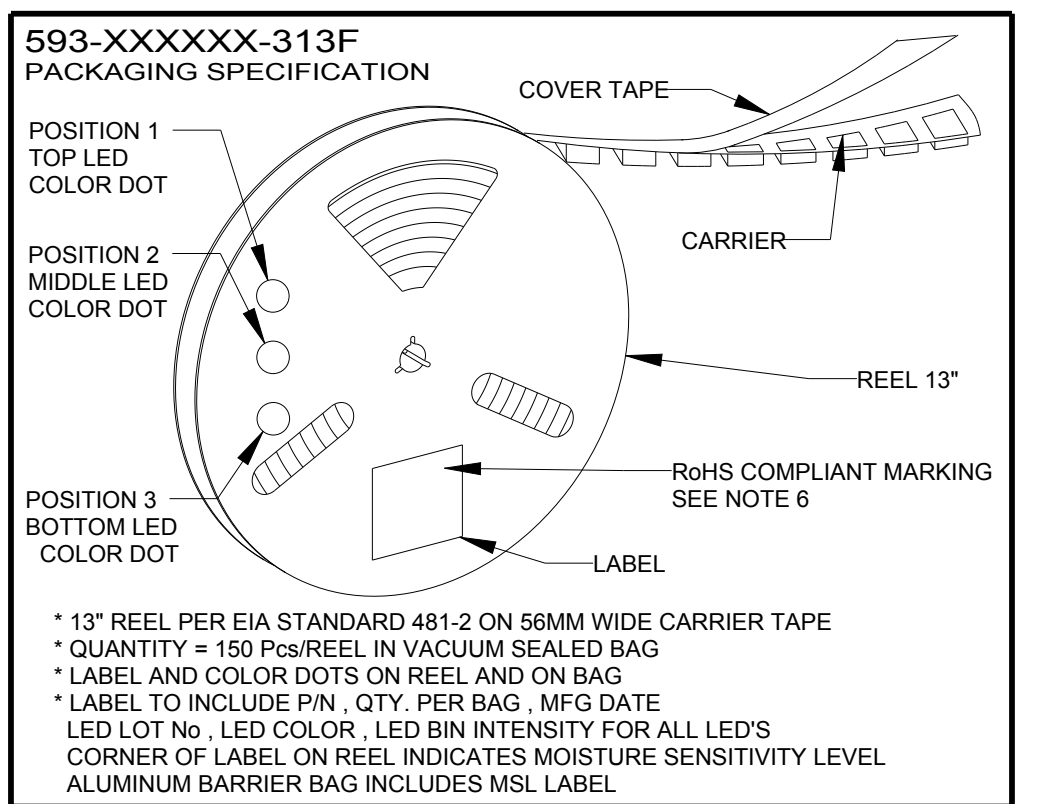
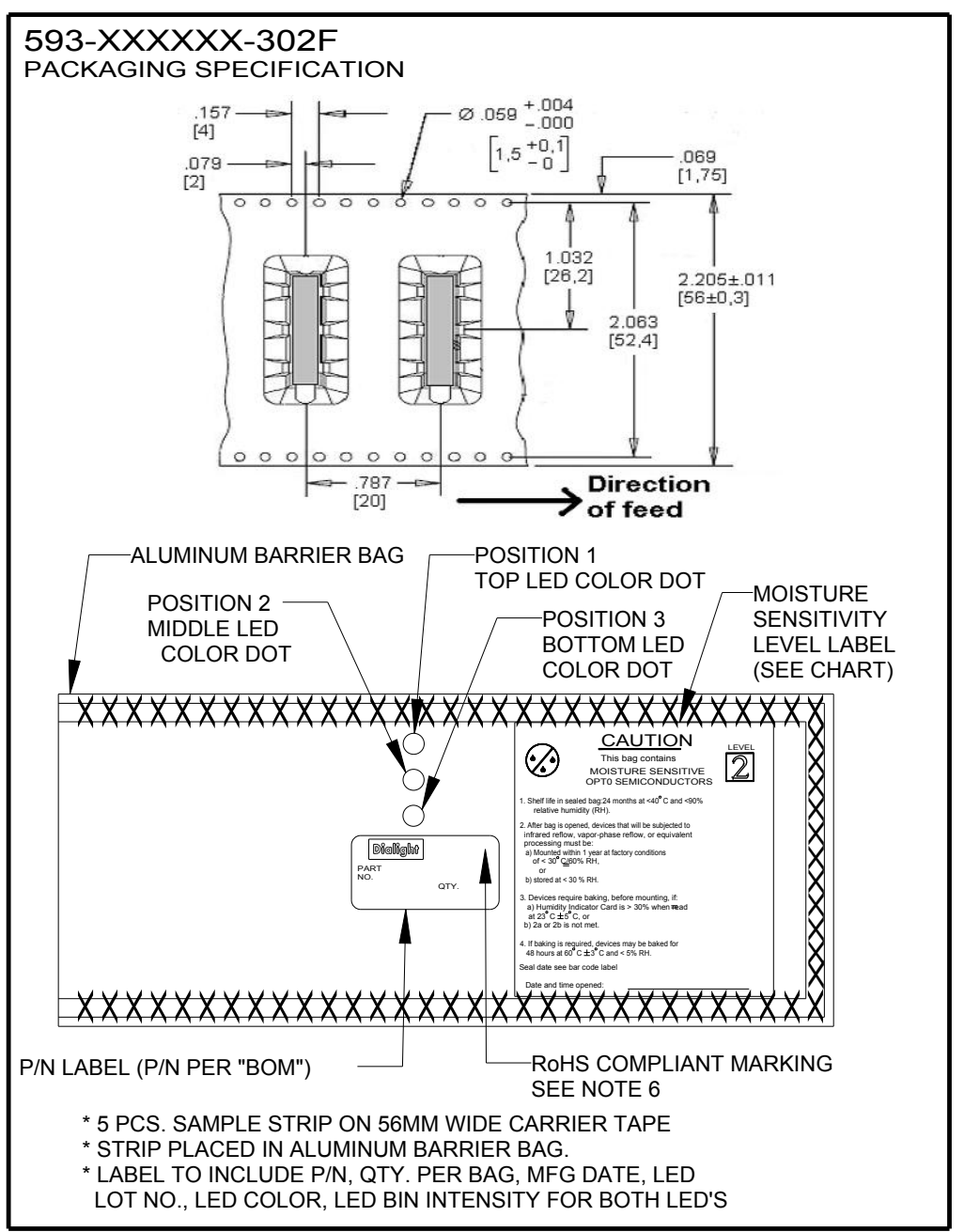


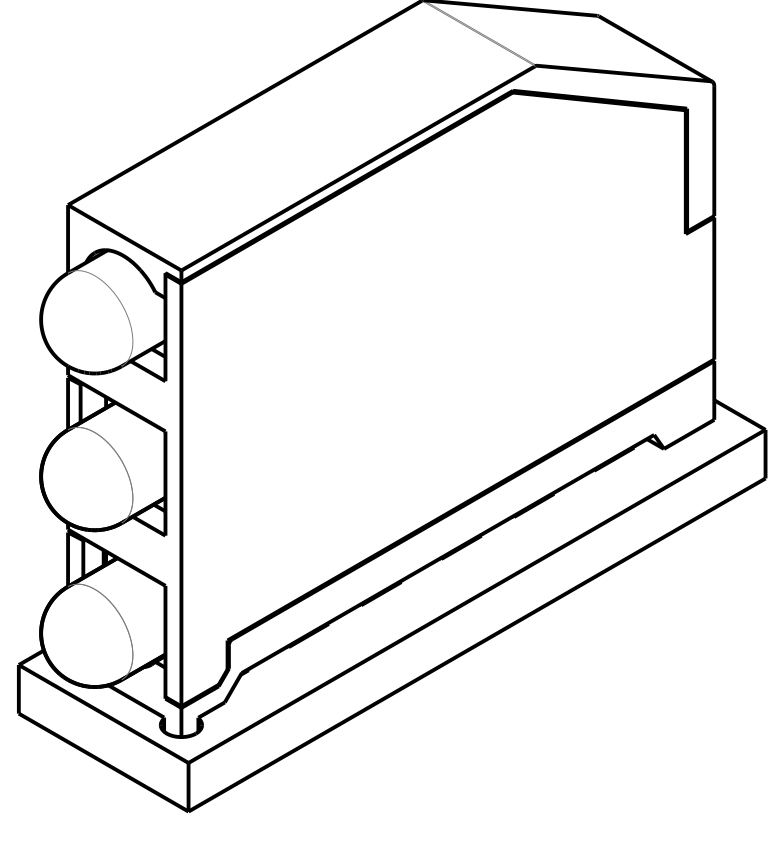
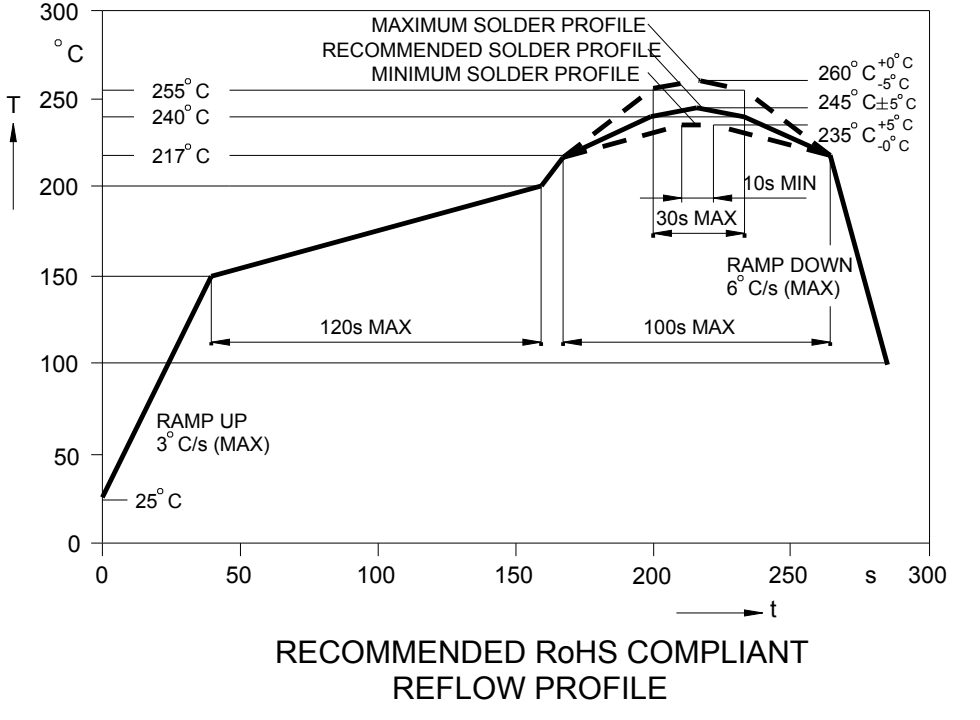
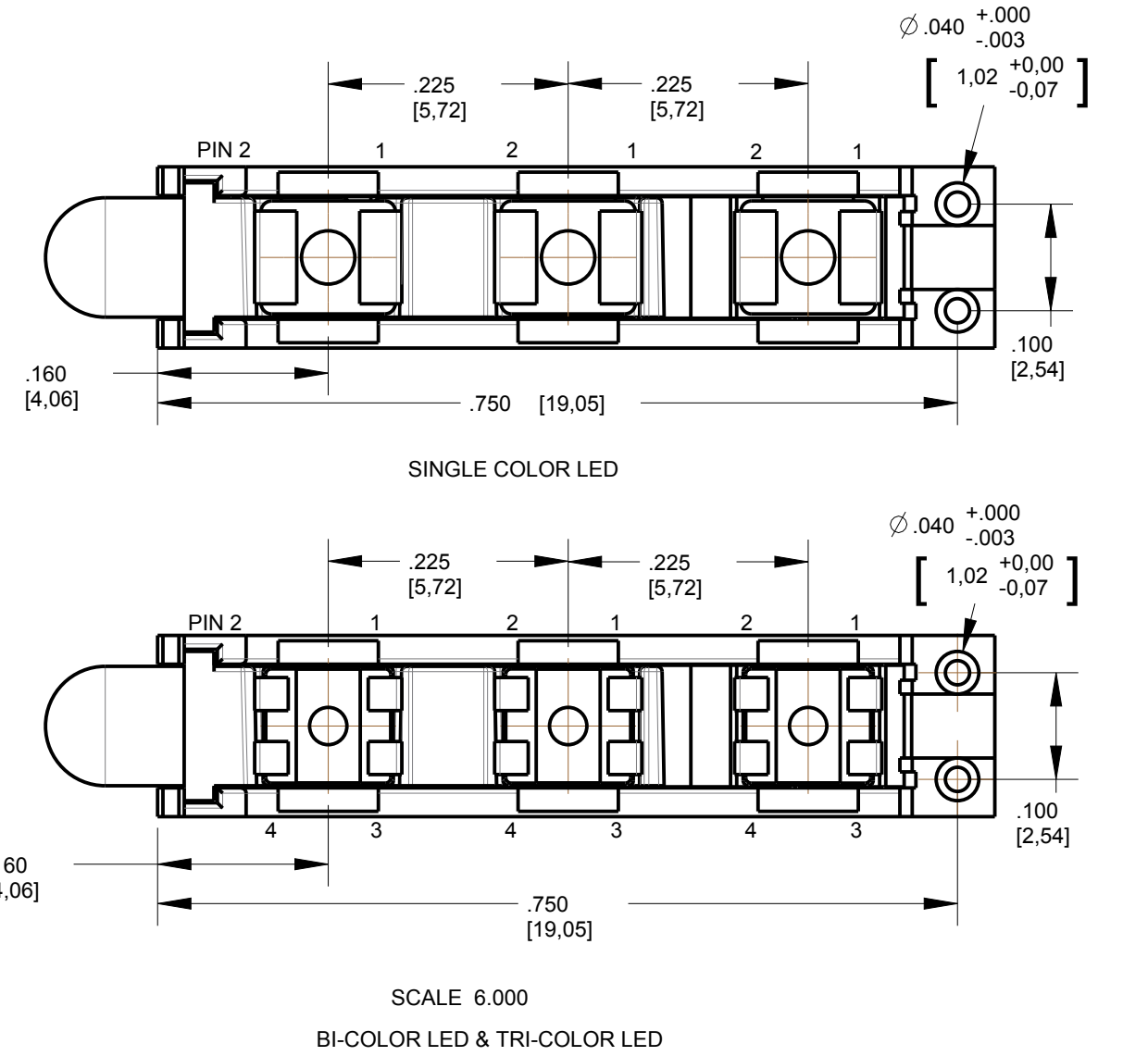
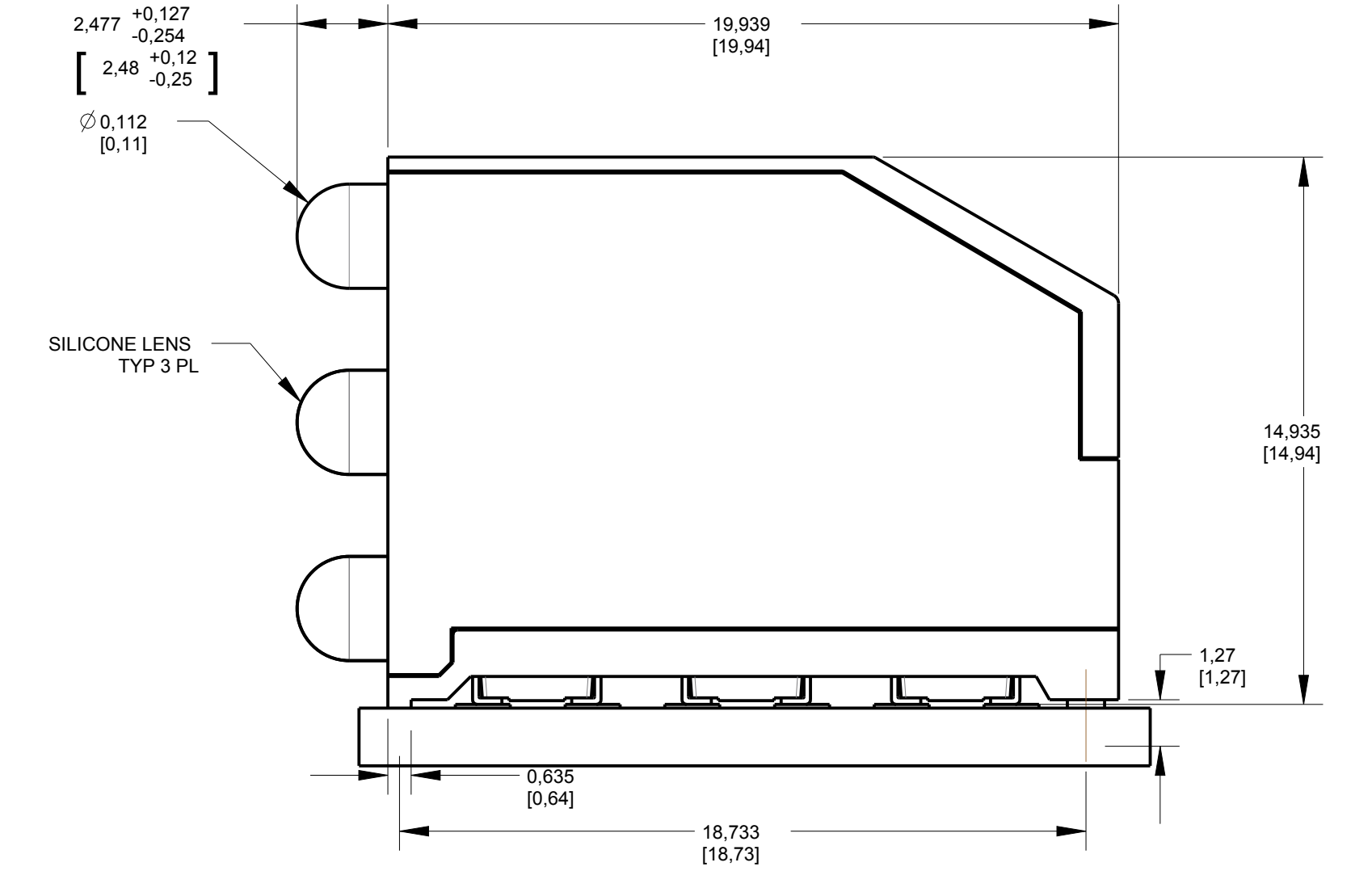
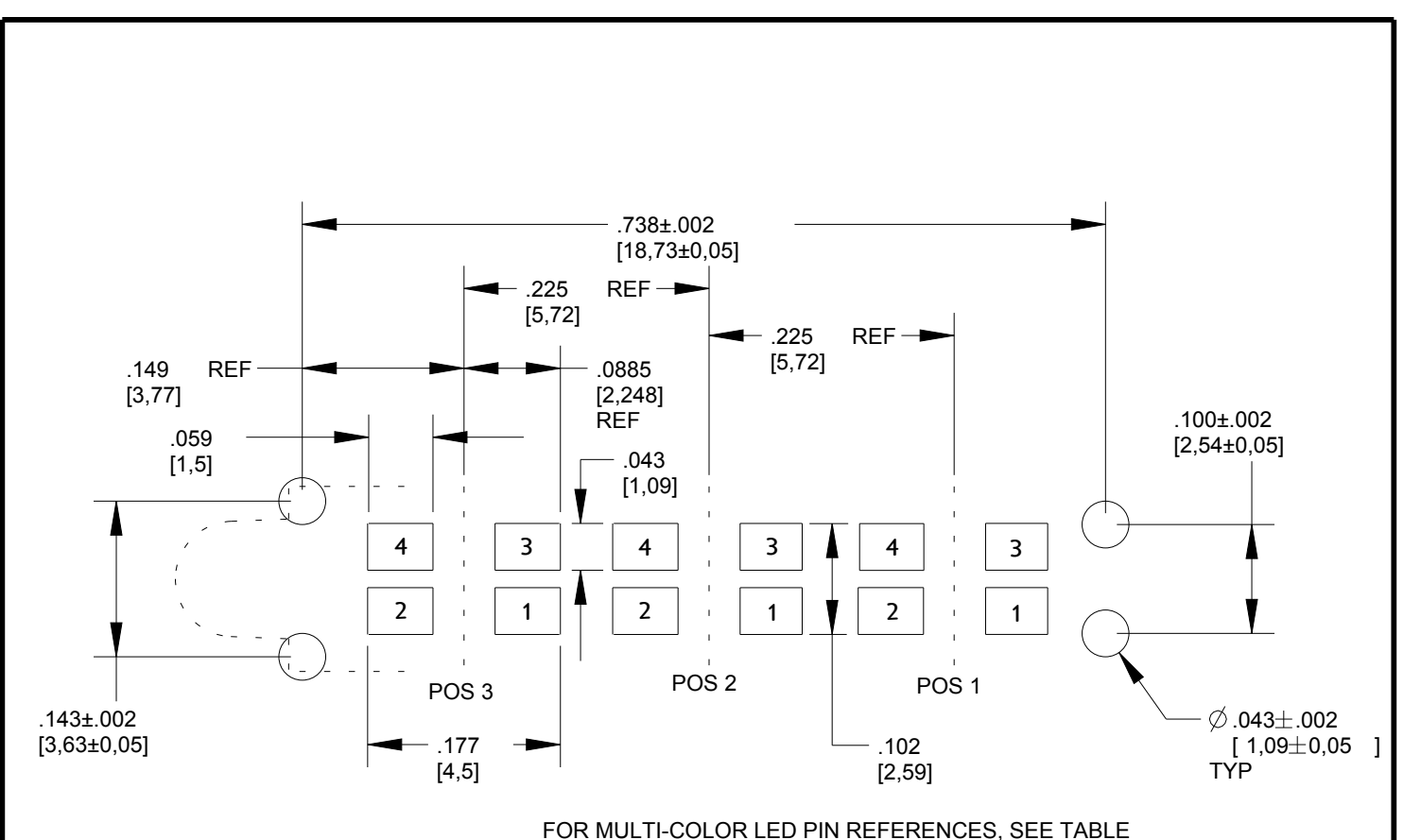
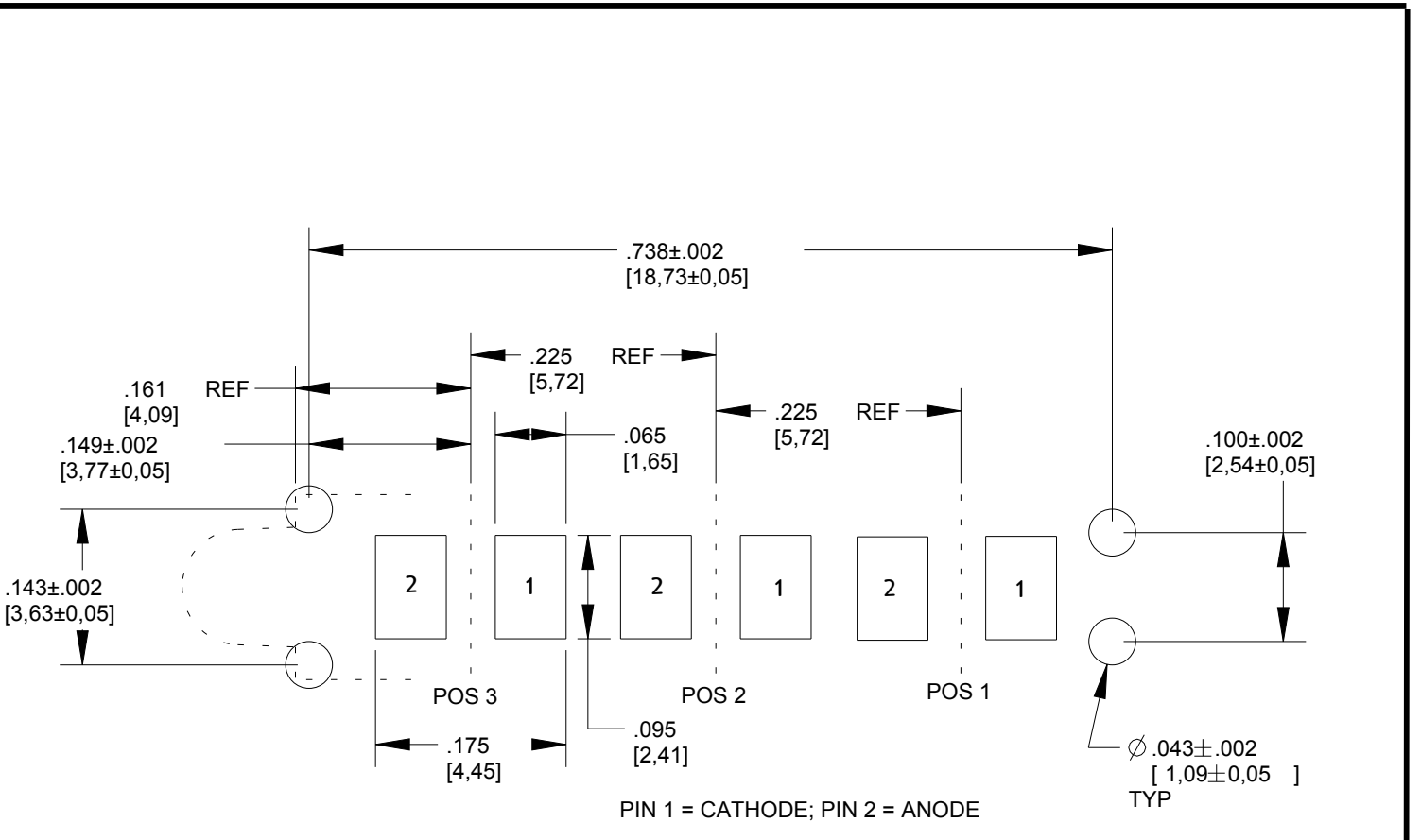
PART NUMBER	POSITION 1	POSITION 2	POSITION 3	MSL	PAD LAYOUT REFERENCE
593-101010-302F	RED 2mA	RED 2mA	RED 2mA	2	FIG. 1
593-101010-313F	GREEN 2mA	GREEN 2mA	GREEN 2mA	2	FIG. 1
593-131313-302F	YELLOW 2mA	YELLOW 2mA	YELLOW 2mA	2	FIG. 1
593-141414-302F	ORANGE 2mA	ORANGE 2mA	ORANGE 2mA	2	FIG. 1
593-151515-302F	RED	RED	RED	2	FIG. 1
593-202020-302F	RED	RED	YELLOW	2	FIG. 1
593-202024-302F	RED	GREEN	YELLOW	2	FIG. 1
593-202324-302F	RED	GREEN	BLUE	2	FIG. 1
593-202326-302F	RED	YELLOW	GREEN	2	FIG. 1 & FIG. 2
593-203120-302F	RED	YELLOW	RED	2	FIG. 1
593-212121-302F	AlGaAs RED	AlGaAs RED	AlGaAs RED	2	FIG. 1
593-212121-313F	AlGaAs RED	AlGaAs RED	SUPER RED GREEN	2	FIG. 1 & FIG. 2
593-212222-302F	AlGaAs RED	GREEN	GREEN	2	FIG. 1
593-212222-313F	AlGaAs RED	GREEN	BLUE	2	FIG. 1
593-212226-302F	AlGaAs RED	GREEN	BLUE	2	FIG. 1
593-212729-302F	AlInGaP RED	AlInGaP YELLOW	InGaP GREEN	2a	FIG. 1
593-212729-313F	AlInGaP RED	AlInGaP YELLOW	InGaP GREEN	2a	FIG. 1
593-222222-302F	GREEN	GREEN	GREEN	2	FIG. 1
593-222222-313F	GREEN	GREEN	GREEN	2	FIG. 1
593-222221-302F	GREEN	GREEN	AlGaAs RED	2	FIG. 1
593-222721-302F	GREEN	AlInGaP YELLOW	AlGaAs RED	2	FIG. 1
593-222721-313F	GREEN	AlInGaP YELLOW	AlGaAs RED	2	FIG. 1
593-232323-302F	GREEN	YELLOW	RED	2	FIG. 1
593-232420-302F	GREEN	YELLOW	YELLOW	2	FIG. 1
593-232627-302F	GREEN	BLUE	AlInGaP YELLOW	2	FIG. 1
593-242320-302F	YELLOW	YELLOW	YELLOW	2	FIG. 1
593-242424-302F	YELLOW	YELLOW	YELLOW	2	FIG. 1
593-262626-302F	BLUE	BLUE	BLUE	2	FIG. 1
593-262626-313F	BLUE	BLUE	BLUE	2	FIG. 1
593-272020-302F	AlInGaP YELLOW	RED	RED	2	FIG. 1
593-272020-313F	AlInGaP YELLOW	AlGaAs RED	InGaP GREEN	2	FIG. 1
593-272129-302F	AlInGaP YELLOW	AlGaAs RED	GREEN	2	FIG. 1
593-272129-313F	AlInGaP YELLOW	AlGaAs RED	GREEN	2	FIG. 1
593-272323-302F	AlInGaP YELLOW	AlInGaP YELLOW	AlInGaP YELLOW	2	FIG. 1
593-272727-302F	AlInGaP YELLOW	AlInGaP YELLOW	AlInGaP YELLOW	2	FIG. 1
593-272727-313F	AlInGaP YELLOW	AlInGaP YELLOW	AlInGaP YELLOW	2	FIG. 1
593-282828-302F	WHITE	WHITE	WHITE	2	FIG. 1
593-282828-313F	WHITE	WHITE	WHITE	2	FIG. 1
593-292929-302F	InGaP GREEN	BLUE	AlInGaP YELLOW	2a	FIG. 1
593-292929-313F	InGaP GREEN	AlInGaP YELLOW	AlGaAs RED	2a	FIG. 1
593-292721-302F	InGaP GREEN	AlInGaP YELLOW	AlGaAs RED	2a	FIG. 1
593-292721-313F	InGaP GREEN	AlInGaP YELLOW	AlInGaP YELLOW	2a	FIG. 1
593-292929-302F	InGaP GREEN	InGaP GREEN	InGaP GREEN	2a	FIG. 1
593-303030-302F	SUPER RED	SUPER RED	SUPER RED	2	FIG. 2
593-303030-313F	SUPER RED	YELLOW	BLUE	2	FIG. 1 & FIG. 2
593-303126-302F	GREEN	GREEN	GREEN	2	FIG. 1 & FIG. 2
593-312020-302F	YELLOW	RED	RED	2	FIG. 1 & FIG. 2
593-312020-313F	YELLOW	GREEN	YELLOW	2	FIG. 2
593-313131-302F	YELLOW	YELLOW	YELLOW	2	FIG. 2
593-313131-313F	YELLOW	YELLOW	YELLOW	2	FIG. 2
593-323232-302F	SUPER-RED	SUPER-RED	SUPER-RED	2	FIG. 2
593-323232-313F	YELLOW	YELLOW	YELLOW	2	FIG. 2
593-353535-302F	RED	RED	RED	2a	FIG. 2
593-353535-313F	GREEN	GREEN	GREEN	2a	FIG. 2
593-353535-313F	BLUE	BLUE	BLUE	2a	FIG. 2



LED COLOR	PIN 1	PIN 2	PIN 3	PIN 4
R/Y BI-COLOR	RED CATHODE	RED ANODE	YELLOW ANODE	YELLOW CATHODE
Y/G BI-COLOR	YELLOW CATHODE	YELLOW ANODE	GREEN ANODE	GREEN CATHODE
R/G BI-COLOR	RED CATHODE	RED ANODE	GREEN ANODE	GREEN CATHODE
R/G/B TRI-COLOR	RED CATHODE	COMMON ANODE	GREEN ANODE	BLUE CATHODE

NOTES:  
1. PRODUCT PIN'S WITH "F" SUFFIX ENDING ARE ROHS COMPLIANT. LED LEADS ARE PLATED TIN (Sn) WITH NICKEL (Ni) UNDERPLATE ON COPPER (Cu) LEADS.  
2. STORAGE OF TAPED PARTS SHALL NOT EXCEED TWELVE (12) MONTHS AFTER WHICH RE-PACKAGING IS REQUIRED.  
3. FRONT AND REAR TERMINALS (OF EACH LED) OF THE ASSEMBLY TO BE WITHIN .005 COPLANARITY.  
4. A MOISTURE SENSITIVITY LEVEL LABEL PLACED ON BAG. CHECK CHART FOR PROPER LEVEL.  
5. \*\*\* CAUTION \*\*\*  
FOR PRODUCTS THAT ARE ESD SENSITIVE, OBSERVE PRECAUTIONS IN HANDLING ELECTROSTATIC SENSITIVE DEVICES. FOR EYE SAFETY DO NOT STARE DIRECTLY INTO THE LIGHT BEAM OF THESE LED DEVICES AT CLOSE RANGE.  
6. THIS PRODUCT IS ROHS COMPLIANT. EACH BAG IS MARKED WITH ROHS COMPLIANT LABEL OR EQUIVALENT MARKINGS. LED MUST BE Pb FREE (ROHS COMPLIANT).  
7. DIALIGHT PART NUMBERS: 593-XXXXXX-302F (STRIP) 593-XXXXXX-313F (REEL)

COLOR CODE	COLOR	LUMINOUS INTENSITY TYP	FORWARD VOLTAGE (V)			DOMINANT WAVELENGTH (nm)		
			TEST COND	TYP	MAX	MIN	TYP	MAX
10	RED 2mA	5 mcd @IF=2mA	IF = 2mA	1.7	2.2	624	630	
13	GREEN 2mA	4 mcd @IF=2mA	IF = 2mA	1.7	2.2	566	570	
14	YELLOW 2mA	4.3 mcd @IF=2mA	IF = 2mA	1.7	2.2	580	587	
15	ORANGE 2mA	7 mcd @IF=2mA	IF = 2mA	1.7	2.2	600	606	
20	RED	6 mcd @IF=20mA	IF = 10mA	2.0	2.5	622	628	
21	AlGaAs RED	19 mcd @IF=20mA	IF = 10mA	1.75	2.5	—	645	
22	HI. INT. GREEN	10 mcd @IF=20mA	IF = 10mA	2.0	2.5	564	570	
23	GREEN	9 mcd @IF=20mA	IF = 10mA	2.0	2.5	564	570	
24	YELLOW	8 mcd @IF=20mA	IF = 10mA	2.0	2.5	580	587	
26	BLUE	10 mcd @IF=20mA	IF = 10mA	3.1	3.7	465	471	
27	AlInGaP YELLOW	36 mcd @IF=20mA	IF = 10mA	2.0	2.4	580	587	
28	WHITE	62 mcd @IF=20mA	IF = 10mA	3.1	3.4	—	X .33 Y .33	
29	InGaP GREEN	213 mcd @IF=20mA	IF = 20mA	3.7	4.3	—	525	
30	RED/GREEN BI-COLOR	RED	11 mcd @IF=10mA	IF = 10mA	2.0	2.5	622	628
		GREEN	6 mcd @IF=10mA	IF = 10mA	2.0	2.5	564	570
31	YELLOW/GREEN BI-COLOR	YELLOW	13 mcd @IF=10mA	IF = 10mA	2.0	2.5	584	590
		GREEN	6 mcd @IF=10mA	IF = 10mA	2.0	2.5	564	570
32	RED/YELLOW BI-COLOR	RED	34 mcd @IF=20mA	IF = 20mA	2.0	2.3	627	633
		YELLOW	26 mcd @IF=20mA	IF = 20mA	2.0	2.4	580	587
35	RED/GRN/BLUE TRI-COLOR	RED	45 mcd @IF=20mA	IF = 20mA	1.9	2.4	—	626
		GREEN	114 mcd @IF=20mA	IF = 20mA	3.4	4.05	515	525
		BLUE	25 mcd @IF=20mA	IF = 20mA	3.4	4.05	460	470



THIS DRAWING AND THE CONTENTS HEREIN ARE CONFIDENTIAL AND THE SOLE PROPERTY OF DIALIGHT. REPRODUCTION OF THIS DRAWING OR CONSTRUCTION OF ANY PARTS WITHIN THIS DRAWING ARE FORBIDDEN WITHOUT THE WRITTEN CONSENT OF DIALIGHT.

SCALE: 6.000  
ALL DIMS IN INCHES (MM)  
TOLERANCES: UNLESS OTHERWISE SPECIFIED  
FRACTIONS: ±1/64  
DECIMALS (XX): ±.01  
DECIMALS (XXX): ±.005  
DECIMALS (XXXX): ±.0005  
ANGLES: ±3°  
FINISH: —

DRAWING NUMBER: C-18320  
TITLE: TRI-LEVEL PRISM  
MATERIAL: ROHS COMPLIANT  
DIALIGHT  
1501 ROUTE 34 SOUTH FARMINGDALE, NJ 07727

FSCM 83330 SHEET 1 OF 1 FAMILY TABLE

ATTENTION: OBSERVE PRECAUTIONS FOR HANDLING ELECTROSTATIC SENSITIVE DEVICES