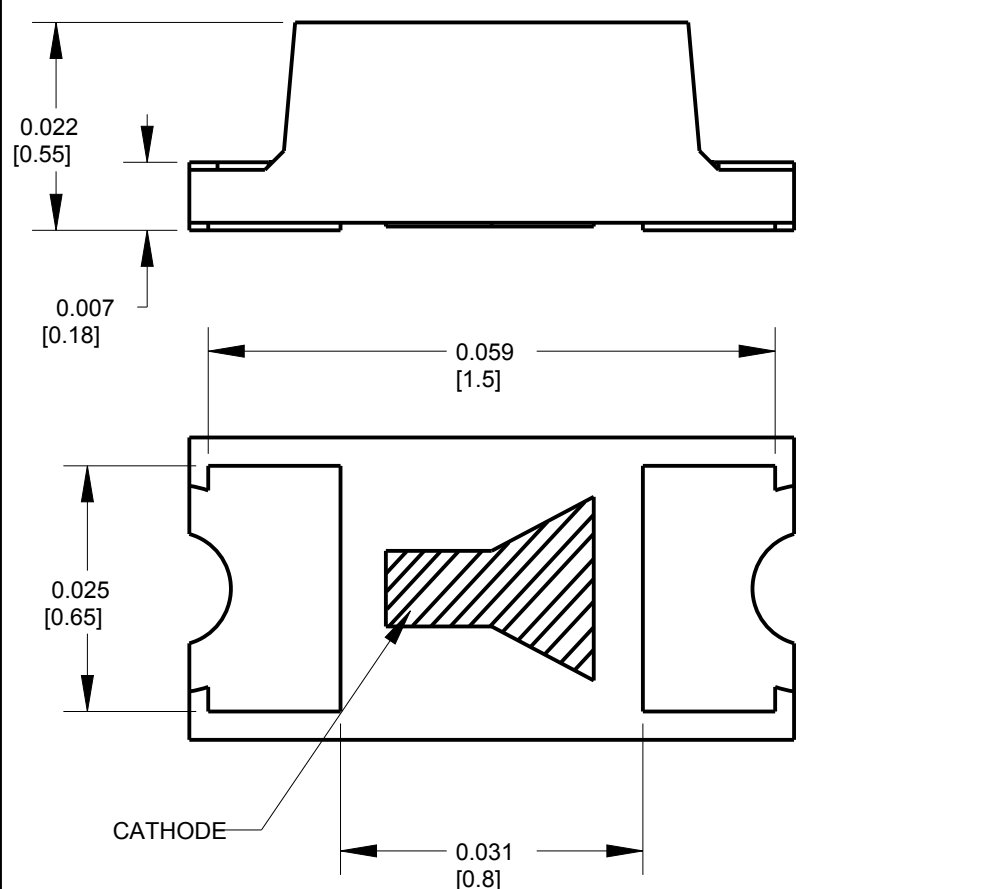
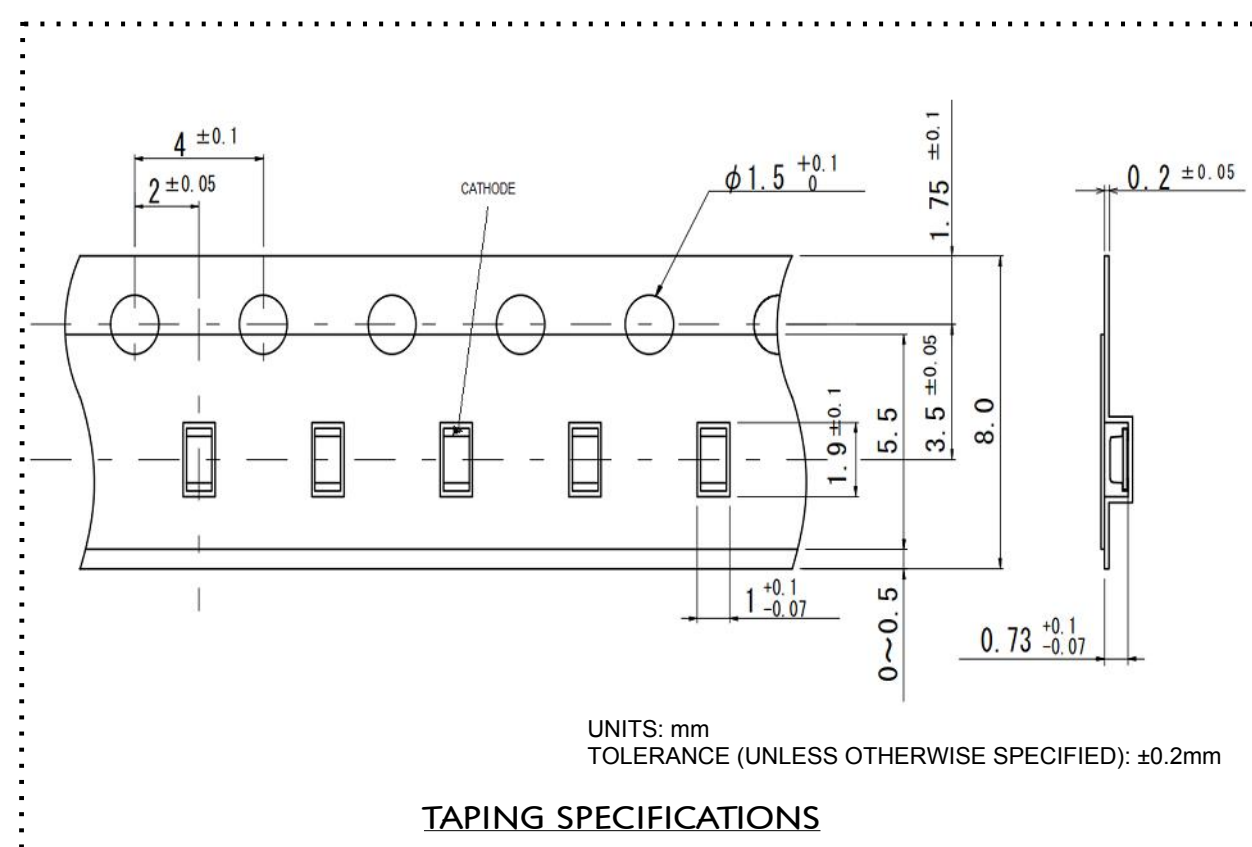
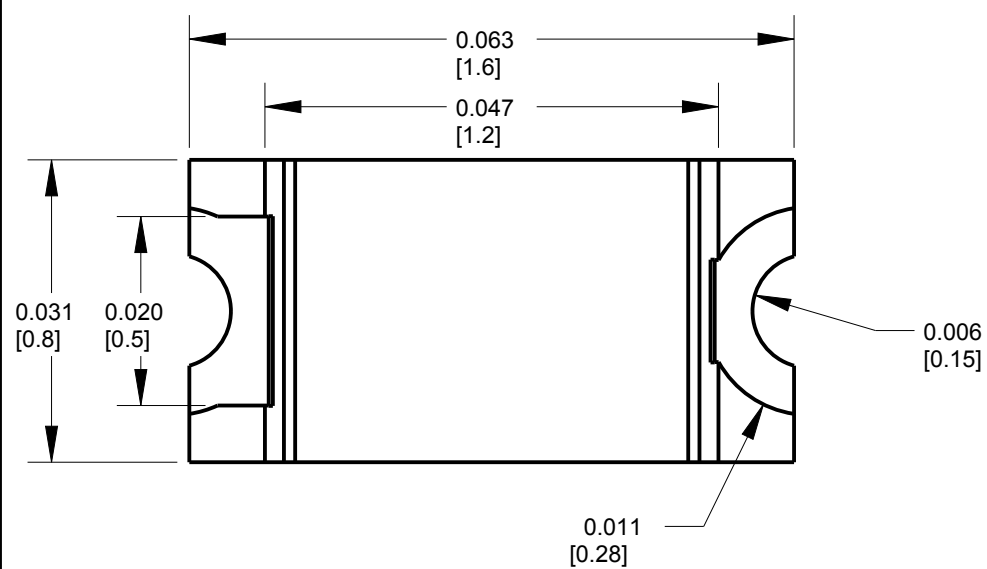


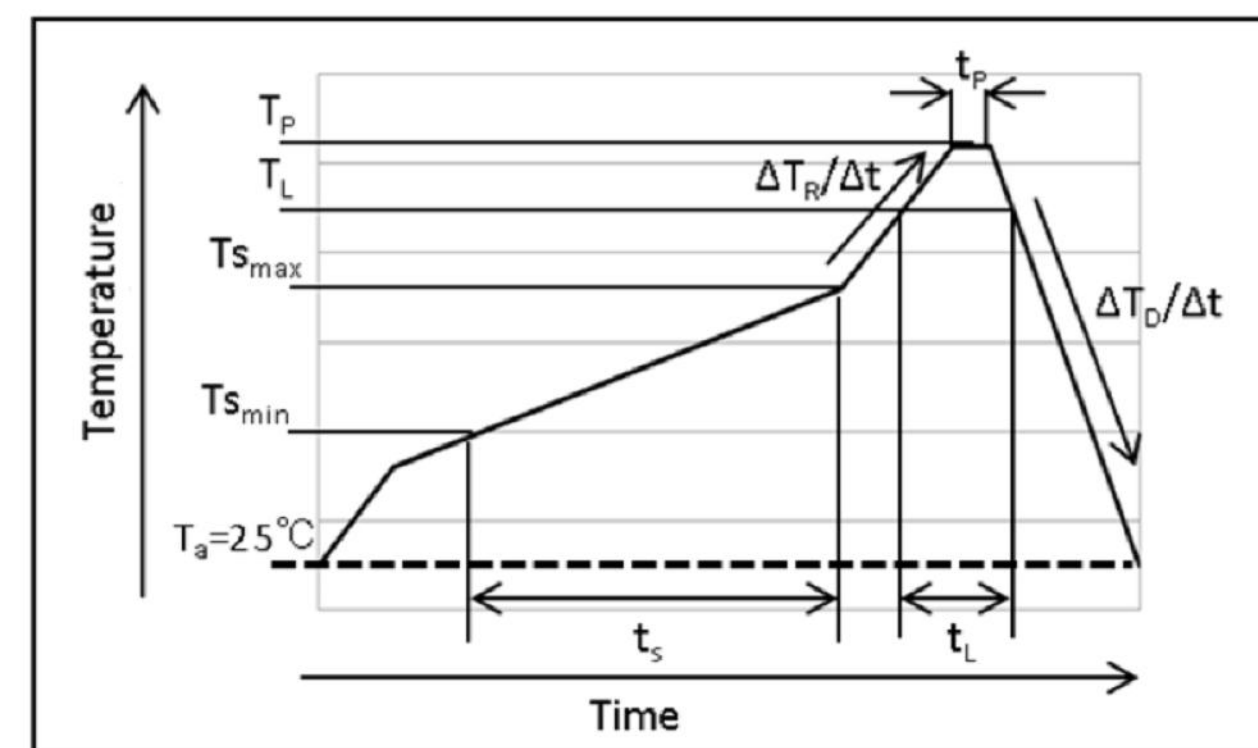
PART NUMBER	LED COLOR
597-3005-502F,507F	RED (630nm)
597-3035-502F,507F	RED (620nm)
597-3045-502F,507F	RED-ORANGE
597-3205-502F,507F	ORANGE
597-3405-502F,507F	YELLOW
597-3505-502F,507F	YELLOW-GRN

REV	REVISIONS	DRN	CKD	APP	DATE
A	NEW RELEASE	BP	—	NO	3-22-18
B	ADDED VIEWING ANGLE	LD	—	NO	6-10-19



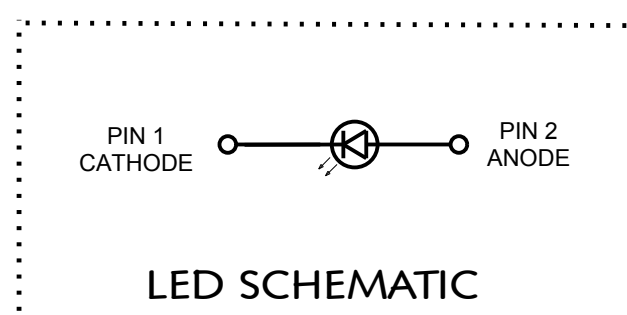
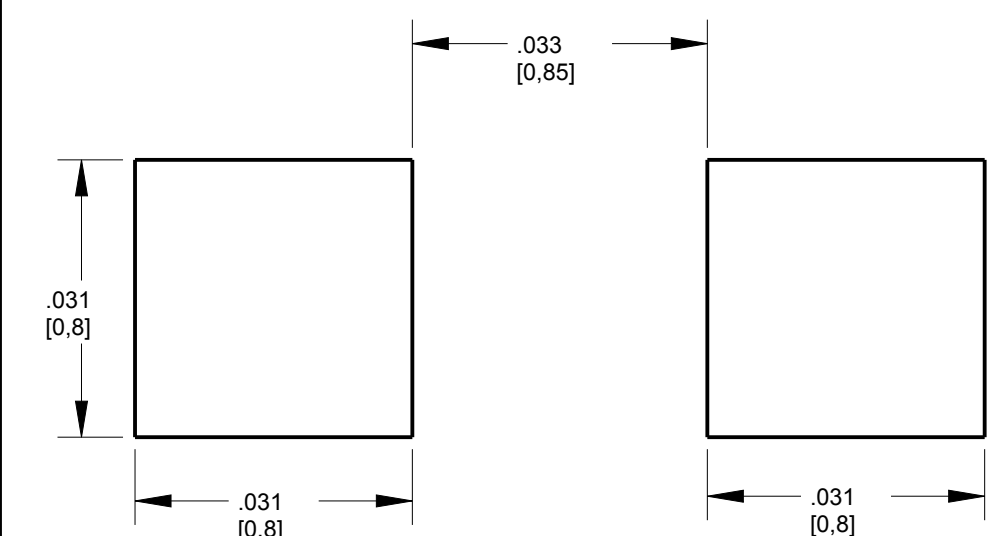
ABSOLUTE MAXIMUM RATINGS AT 25°C						
LED COLOR	POWER DISSIPATION (mW)	FORWARD CURRENT (mA)	PEAK FORWARD CURRENT (mA)	REVERSE VOLTAGE (V)	OPERATING TEMPERATURE (°C)	STORAGE TEMPERATURE (°C)
RED (630nm)	84	35	100	5	-40 TO +100	-40 TO +100
RED (620nm)						
RED-ORANGE						
ORANGE	87					
YELLOW						
YELLOW-GREEN						

OPERATING CHARACTERISTICS AT 25°C										
LED COLOR	IF (mA)	LUMINOUS INTENSITY (mcd)			DOMINANT WAVELENGTH (nm)			REVERSE CURRENT (MAX)	FORWARD VOLTAGE (TYP.)	VIEWING ANGLE (degree) (TYP)
		MIN	TYP	MAX	MIN	TYP.	MAX			
RED (630nm)	20	71	90	627	630	633	10 @ VR=5V	2 @ IF=20mA	160	
RED (620nm)		90	112	617	620	623				
RED-ORANGE		112	140	612	615	618				
ORANGE				603	605	607				
YELLOW		180	224	588	590	592				
YELLOW-GREEN	56	71	569	571	573		2.1 @ IF=20mA			



Mark	Meanings	Conditions
$T_{S_{max}}$	Maximum of pre-heating temperature	180°C
$T_{S_{min}}$	Minimum of pre-heating temperature	140°C
$t_s$	Time from $T_{S_{min}}$ to $T_{S_{max}}$	Over 60sec.
$T_L$	Reference temperature	230~250°C
$t_L$	Retention time for $T_L$	Within 40sec.
$T_P$	Peak temperature	250°C(Max)
$t_p$	Time for peak temperature	Within 10sec.
$\Delta T_R/\Delta t$	Temperature rising rate	Under 3°C/sec.
$\Delta T_D/\Delta t$	Temperature decreasing rate	Over -3°C/sec.

RECOMMENDED ROHS SOLDER PROFILE



LED SCHEMATIC

NOTES:

- DIALIGHT P/N: 597-3XX5-50XF  
SUFFIX -502F FOR 20 PCS ON A SAMPLE TAPE STRIP  
SUFFIX -507F FOR 7" DIAMETER REEL, PACKAGED 3000 PCS PER REEL.
- LABELING FOR REEL AND OUTSIDE OF ALUMINUM FOIL BAG:  
DIALIGHT P/N, QUANTITY PER REEL, DATE CODE, INTENSITY BIN CODE,  
LOT NUMBER AND COUNTRY OF ORIGIN.
- TAPE AND REEL LEDS MAY REQUIRE RE-TAPING AFTER TWELVE MONTHS.
- ESD WITHSTAND VOLTAGE 4000V MAX ACC. TO JS-001-2014
- MSL LEVEL 3



ATTENTION:  
OBSERVE PRECAUTIONS FOR  
HANDLING ELECTROSTATIC  
SENSITIVE DEVICES

RECOMMENDED SOLDER PAD LAYOUT

THIS DRAWING AND THE CONTENTS HEREIN ARE CONFIDENTIAL AND THE SOLE PROPERTY OF DIALIGHT CORP. REPRODUCTION OF THIS DRAWING OR CONSTRUCTION OF ANY PARTS WITHIN THIS DRAWING ARE FORBIDDEN WITHOUT THE WRITTEN CONSENT OF DIALIGHT CORP.		
SCALE: 25.000	DRAWING NUMBER	REV
ALL DIMS IN: INCHES (MM)	C-18369	B
TOLERANCES: UNLESS OTHERWISE SPECIFIED	TITLE	
FRACTIONS: ±1/64	SM LED 0603 PACKAGE	
DECIMALS (.XX): ±.01	SINGLE INTENSITY BIN	
DECIMALS (.XXX): ±.005	MATERIAL	
DECIMALS (.XXXX): ±.0005	FINISH	
ANGLES: ±1°	FSCM 83330	
SHEET 1 OF 1		FAMILY TABLE:
Dialight		1501 ROUTE 34 SOUTH FARMINGDALE, NJ 07727 (732) 919-3119 www.dialight.com