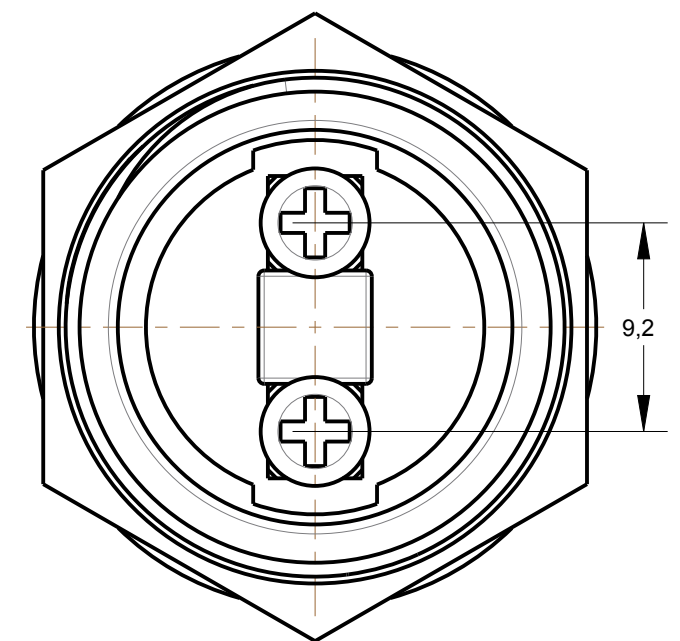
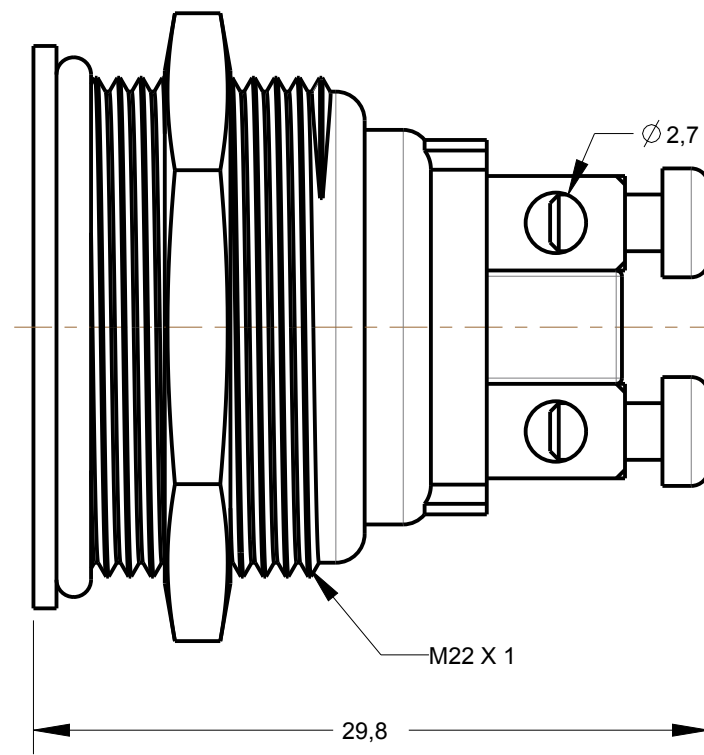
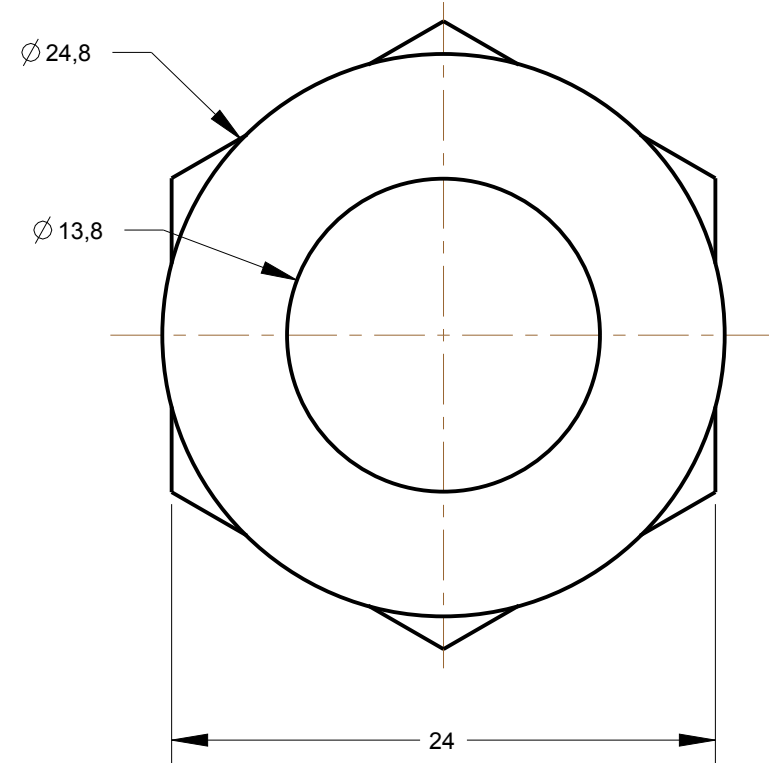



PART NUMBER	VOLTAGE VDC	COLOR
622-1101-304F	3	RED
622-1102-304F	6	
622-1103-304F	12	
622-1104-304F	24	
622-1201-304F	3	GREEN
622-1202-304F	6	
622-1203-304F	12	
622-1204-304F	24	
622-1301-304F	3	YELLOW
622-1302-304F	6	
622-1303-304F	12	
622-1304-304F	24	
622-1401-304F	3	BLUE
622-1402-304F	6	
622-1403-304F	12	
622-1404-304F	24	

REV	REVISIONS	DRN	APP	DATE
A	NEW RELEASE	LD		



NOTES:

1. ALL DIMENSION ARE IN MM
2. THIS PRODUCT IS RoHS COMPLIANT.

THIS DRAWING AND THE CONTENTS HEREIN ARE CONFIDENTIAL AND THE SOLE PROPERTY OF DIALIGHT CORP. REPRODUCTION OF THIS DRAWING OR CONSTRUCTION OF ANY PARTS WITHIN THIS DRAWING ARE FORBIDDEN WITHOUT THE WRITTEN CONSENT OF DIALIGHT CORP.		
DIALIGHT CORP INTERNAL REFERENCE ONLY = 3D MODEL : 622XXX304F-A.6		
SCALE: 3.000	DRAWING NUMBER	REV
ALL DIM's: INCH (mm)	C-18422	A
TOLERANCES: UNLESS OTHERWISE SPECIFIED	TITLE 22mm FLAT PMI W/ TERM	
FRACTIONS: ±1/64 DECIMALS (.XX): ±.01 DECIMALS (.XXX): ±.005 DECIMALS (.XXXX): ±.0005 ANGLES: ±1°	MATERIAL -	
FINISH -	 1501 ROUTE 34 SOUTH FARMINGDALE, NJ 07727 (732) 919-3119 www.dialight.com	
FSCM 83330	SHEET 1 OF 1	FAMILY TABLE: