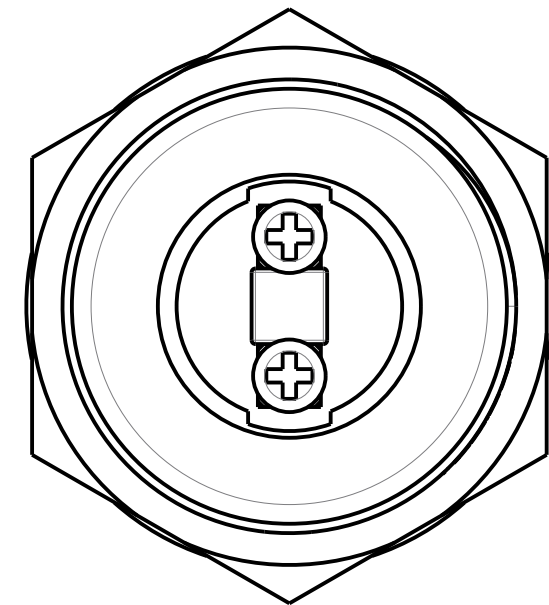
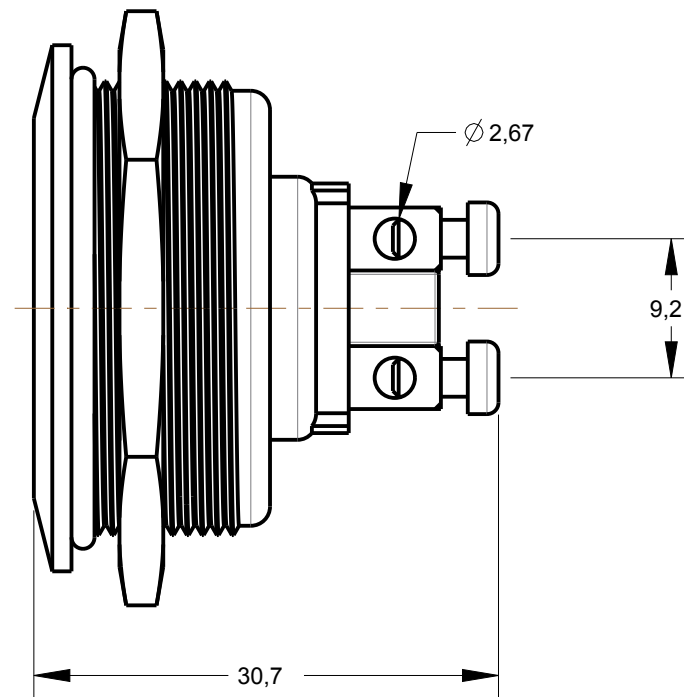
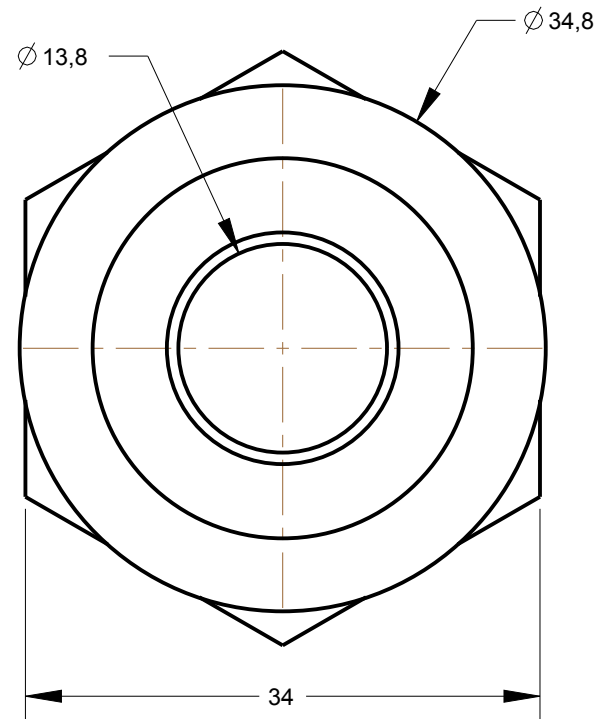



PART NUMBER	COLOR	VOLTAGE
623-1101-304F	RED	3 VDC
623-1102-304F	RED	6 VDC
623-1103-304F	RED	12 VDC
623-1104-304F	RED	24 VDC
623-1201-304F	GREEN	3 VDC
623-1202-304F	GREEN	6 VDC
623-1203-304F	GREEN	12 VDC
623-1204-304F	GREEN	24 VDC
623-1301-304F	YELLOW	3 VDC
623-1302-304F	YELLOW	6 VDC
623-1303-304F	YELLOW	12 VDC
623-1304-304F	YELLOW	24 VDC
623-1401-304F	BLUE	3 VDC
623-1402-304F	BLUE	6 VDC
623-1403-304F	BLUE	12 VDC
623-1404-304F	BLUE	24 VDC

REV	REVISIONS	DRN	APP	DATE
A	NEW RELEASE	LD		



NOTES:

1. ALL DIMENSION ARE IN MM
2. THIS PRODUCT IS RoHS COMPLIANT

THIS DRAWING AND THE CONTENTS HEREIN ARE CONFIDENTIAL AND THE SOLE PROPERTY OF DIALIGHT CORP. REPRODUCTION OF THIS DRAWING OR CONSTRUCTION OF ANY PARTS WITHIN THIS DRAWING ARE FORBIDDEN WITHOUT THE WRITTEN CONSENT OF DIALIGHT CORP.		
DIALIGHT CORP INTERNAL REFERENCE ONLY = 3D MODEL : 623XXX304F-A.7		
SCALE: 2.000	DRAWING NUMBER	REV
ALL DIM's: INCH (mm)	C-18423	A
TOLERANCES: UNLESS OTHERWISE SPECIFIED	TITLE 30mm FLAT PMI W/ TERMINALS	
FRACTIONS: ±1/64 DECIMALS (.XX): ±.01 DECIMALS (.XXX): ±.005 DECIMALS (.XXXX): ±.0005 ANGLES: ±1°	MATERIAL -	
FINISH -	 1501 ROUTE 34 SOUTH FARMINGDALE, NJ 07727 (732) 919-3119 www.dialight.com	
FSCM 83330	SHEET 1 OF 1	FAMILY TABLE: