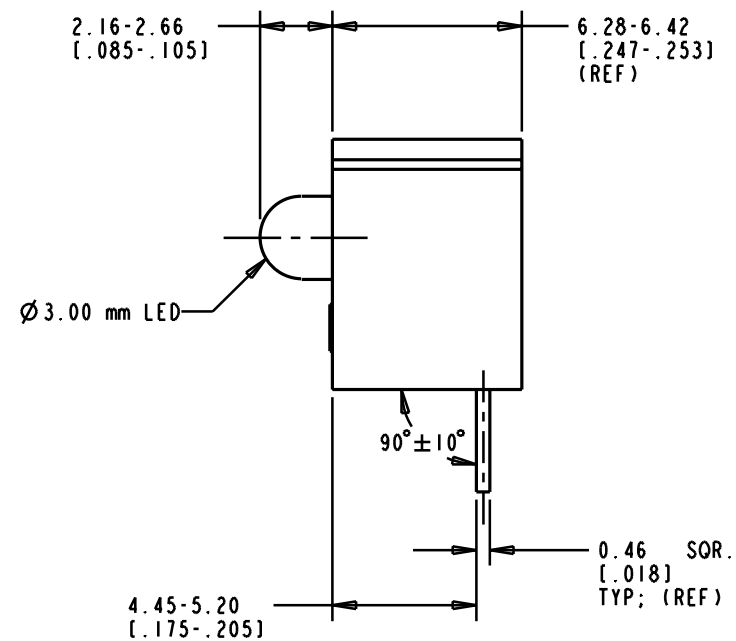
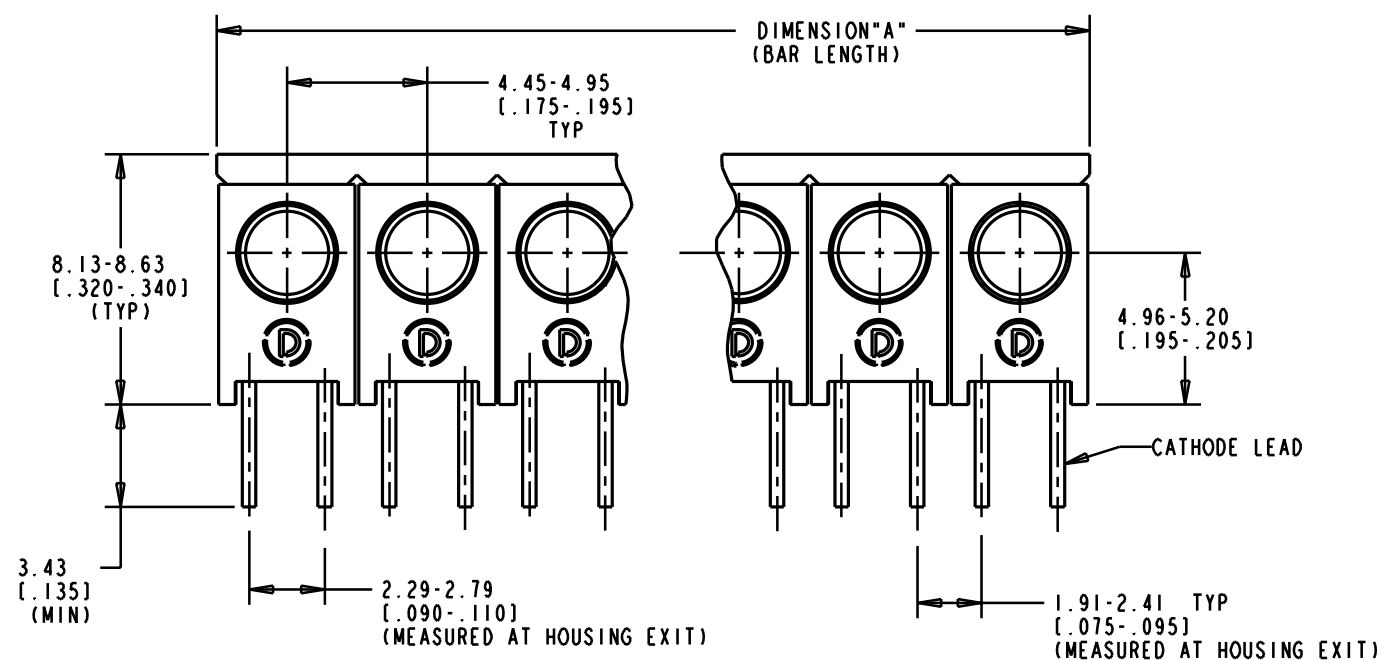


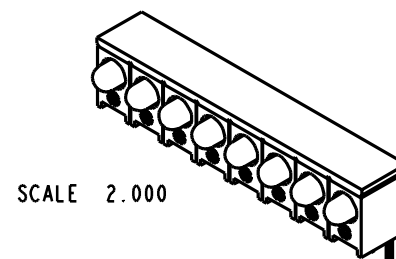
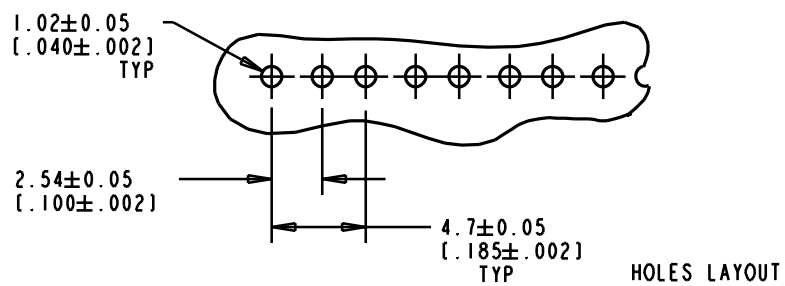
OPERATING CONDITIONS @ T <sub>A</sub> = 25°C							
COLOR	FORWARD VOLTAGE (V)		REVERSE VOLTAGE	PEAK WAVELENGTH (nm)		LUMINOUS INTENSITY (mcd)	TEST CONDITIONS
	TYP	MAX		TYP	MIN		
RED	1.8	2.2	5 V @ I <sub>R</sub> = 50 μA	635	1.0	1.8	I <sub>f</sub> = 2 mA
YELLOW	1.9	2.7		583	1.0	1.6	
GREEN	1.8	2.2		565	1.0	1.6	

MAXIMUM RATINGS			
	RED	YELLOW	GREEN
POWER DISSIPATION	24 mW	36 mW	24 mW
D.C. FORWARD CURRENT	7.0 mA	7.0 mA	7.0 mA
VIEWING ANGLE	50°	50°	50°
OPERATING TEMPERATURE	-55°C TO 100°C	-55°C TO 100°C	-20°C TO 100°C
STORAGE TEMPERATURE	-55°C TO 100°C	-55°C TO 100°C	-55°C TO 100°C
LEAD SOLDERING TEMPERATURE	260°C FOR 5 SEC	260°C FOR 5 SEC	260°C FOR 5 SEC

DIALIGHT PART NUMBER	COLOR	NUMBER OF POSITIONS	DIMENSION "A" (BAR LENGTH) METRIC, [INCHES]
HLMP-1700-102	2 mA RED DIFFUSED	2	8.76-9.65, [.346-.380]
HLMP-1700-104	2 mA RED DIFFUSED	4	18.54-19.02, [.730-.749]
HLMP-1700-105	2 mA RED DIFFUSED	5	23.27-23.72, [.916-.934]
HLMP-1700-108	2 mA RED DIFFUSED	8	37.39-37.72, [1.472-1.485]
HLMP-1719-102	2 mA YELLOW DIFFUSED	2	8.76-9.65, [.346-.380]
HLMP-1719-104	2 mA YELLOW DIFFUSED	4	18.54-19.02, [.730-.749]
HLMP-1790-102	2 mA GREEN DIFFUSED	2	8.76-9.65, [.346-.380]
HLMP-1790-103	2 mA GREEN DIFFUSED	3	13.36-14.22, [.526-.560]
HLMP-1790-104	2 mA GREEN DIFFUSED	4	18.54-19.02, [.730-.749]
HLMP-1790-105	2 mA GREEN DIFFUSED	5	23.27-23.72, [.916-.934]
HLMP-1790-108	2 mA GREEN DIFFUSED	8	37.39-37.72, [1.472-1.485]



DIMENSIONS:  
mm  
[inches]



SCALE 2.000

REV.	ECN NO.	REVISIONS	DRN.	CKD.	APP.	DATE
A		NEW RELEASE	M.C.			

THIS DRAWING AND THE CONTENTS HEREIN ARE CONFIDENTIAL AND THE SOLE PROPERTY OF DIALIGHT. REPRODUCTION OF THIS DRAWING OR CONSTRUCTION OF ANY PARTS WITHIN THIS DRAWING ARE FORBIDDEN WITHOUT THE WRITTEN CONSENT OF DIALIGHT.		
SCALE 4:1	DRAWING NUMBER	REV
ALL DIM'S IN: INCHES	C-16479	SEE CHART
TOLERANCES: UNLESS OTHERWISE SPECIFIED	TITLE	
FRACTIONS: ±1/64	Ø 3.00 mm CBI ARRAY,	
DECIMALS (.XX): ±.01	(2 mA RED, GREEN, YELLOW)	
DECIMALS (.XXX): ±.005	MATERIAL	
DECIMALS (.XXXX): ±.0005		
ANGLES: ±1°		
FINISH:	<b>Dialight</b>	1913 ATLANTIC AVE.
FSCN 83330	SHEET OF	MANASQUAN, N.J. 08736
		FAMILY TABLES: