

SERIES 62S
Compact 1/2" Package

FEATURES

- Compact Size, Requires Minimal Behind Panel Space
- 1 Million Rotational Cycles, 3 Million for Non-Detent Styles
- Optional Integral Pushbutton
- Choices of Cable Length and Terminations

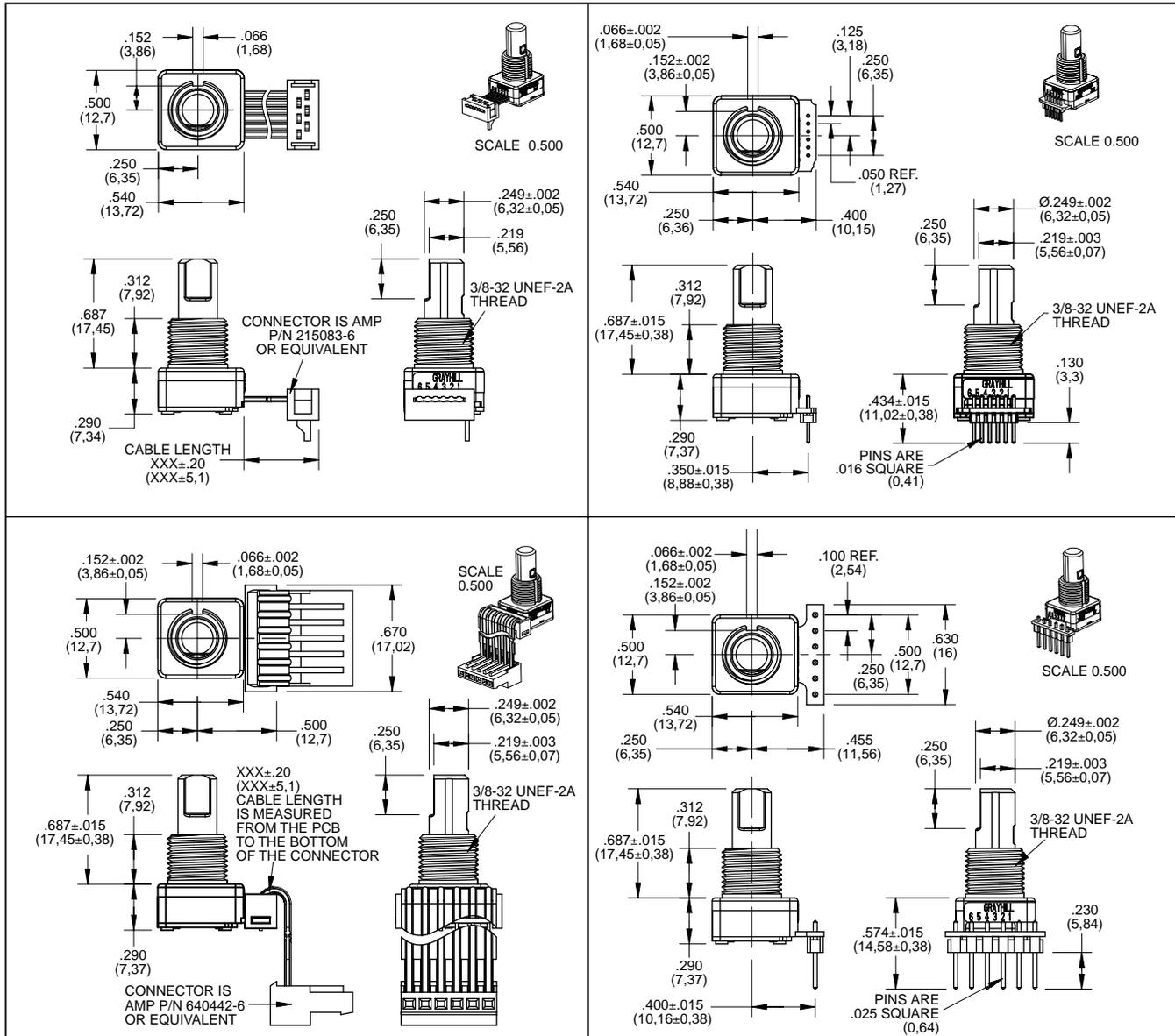
APPLICATIONS

- Global Positioning/Driver Information Systems
- Medical Equipment



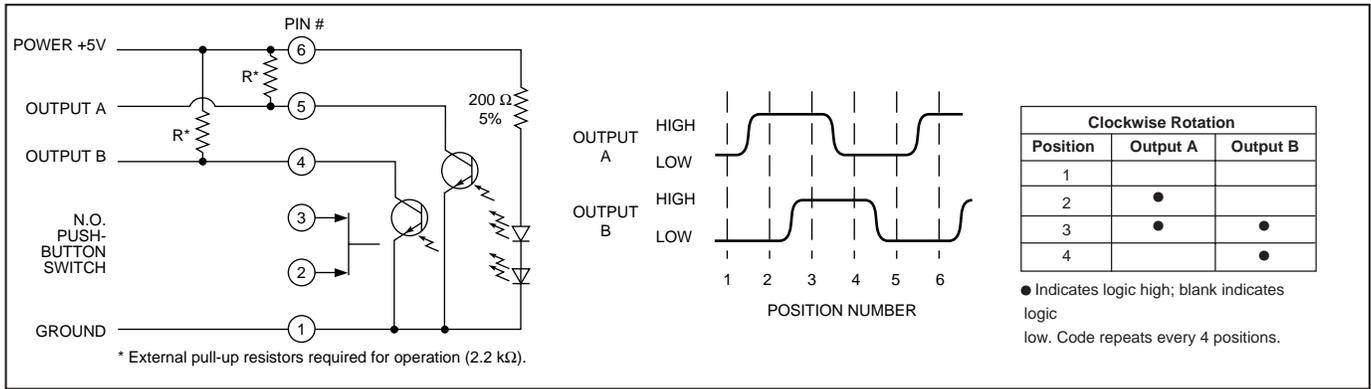
DIMENSIONS In inches (and millimeters)

Unless otherwise specified, standard tolerance is ± 0.010 (0,25)



Optical and Mechanical Encoders

CIRCUITRY, TRUTH TABLE, AND WAVEFORM Standard Quadrature 2-Bit Code



SPECIFICATIONS

Environmental Specifications

- Operating Temperature Range:** -40°C to 85°C
- Storage Temperature Range:** -55°C to 100°C
- Humidity:** 96 Hours at 90–95% humidity at 40°C
- Mechanical Vibration:** Harmonic motion with amplitude of 15G's, within a varied frequency of 10 to 2000 Hz
- Mechanical Shock:** Test 1: 100G for 6 mS, half sine wave with a velocity change of 12.3 ft/s; Test 2: 100G for 6 mS, sawtooth wave with a velocity change of 9.7 ft/s

Rotary Electrical and Mechanical Specifications

- Operating Voltage:** 5.00 ±0.25 Vdc
 - Supply Current:** 30mA maximum at 5Vdc
 - Output:** Open collector phototransistor, external pull up resistors are required
 - Output Code:** 2-Bit quadrature, channel A leads channel B by 90° electrically during clockwise rotation of the shaft
 - Logic Output Characteristics:** Logic High shall be no less than 3.0 Vdc, Logic Low shall be no greater than 1.0 Vdc
 - Minimum Sink Current:** 2.0 mA
 - Power Consumption:** 150 mW maximum
 - Mechanical Life:**
 - Non-Detent: 3 Million Cycles
 - Low & Medium: 1 Million Cycles
 - High: 1/2 Million Cycles
- 1 cycle is a rotation through all positions and a full return

- Average Rotational Torque:** H-3.60±1.60 in-oz, M-2.20±1.40 in-oz, L-1.20±0.50 in-oz, N-<0.50 in-oz initially, torque shall be within 50% of initial value throughout life
- Mounting Torque:** 15 in-oz maximum
- Shaft Push-Out Force:** 45 lbs minimum
- Shaft Pull-Out Force:** 45 lbs minimum
- Terminal Strength:** 15 lbs minimum terminal pull-out force for cable or header termination
- Solderability:** 95% free of pin holes and voids

Pushbutton Electrical and Mechanical Specifications

- Rating:** 10 mA at 5 Vdc
- Contact Resistance:** <10Ω
- Life:** 3 million actuations minimum
- Contact Bounce:** <4 ms Make, <10 ms Break
- Actuation Force:** 9-950±250 grams, 5-510±110 grams, 4-400±100 grams, 3-300±90 grams, 2-200±75 grams
- Shaft Travel:** .020±.010 inch

Materials and Finishes

- Bushing:** Zamak 2
- Shaft:** Aluminum or Zamak 2
- Retaining Ring:** Stainless steel
- Pushbutton Actuator:** Zytel 70G33L
- Detent Spring:** Music wire
- Detent Ball:** Stainless steel
- Code Housing:** Polyamide polymer, nylon 6/10 alloy UL94HB
- Code Rotor:** Delrin 100

- Printed Circuit Boards:** NEMA grade FR-4, double clad with copper, plated with gold over nickel
- Infrared Emitting Diode Chips:** Gallium aluminum arsenide
- Silicon Phototransistor Chips:** Gold and Aluminum Alloys
- Resistor:** Metal oxide on ceramic substrate
- Solder Pins:** Brass, plated with tin
- Pushbutton Dome:** Stainless steel
- Backplate:** Stainless steel
- Cable:** Copper stranded with topcoat in PVC insulation (Cable version only)
- Connector (.050 Center):** PA4.6 with tin/lead plated phosphor bronze
- Connector (.100 Center):** Nylon UL94V-2, tin plated copper alloy
- Label:** TT406 Thermal transfer cast film
- Solder:** 60/40 Tin lead, no clean – low residue flux
- Lubricating Grease:** NYE nyogel 774L
- Hex Nut:** Nickel, plated with brass
- Lockwasher:** Stainless steel
- Header:** Hi-Temp glass filled thermoplastic UL94V-0, phosor bronze (pinned versions only)
- Strain Relief:** Glass filled thermoplastic (.100 center cable versions only)

OPTIONS

Contact Grayhill for custom terminations, shaft and bushing configurations, rotational torque pushbutton force, and code output. Control knobs are also available.

ORDERING INFORMATION

Angle of Throw

- 45=45° for Code Change and 8 Detent Positions
- 30=30° for Code Change and 12 Detent Positions
- 22=22.5° for Code Change and 16 Detent Positions
- 18=18° for Code Change and 20 Detent Positions
- 15=15° for Code Change and 24 Detent Positions
- 11=11.25° for Code Change and 32 Detent Positions

Rotational Torque Option

- N = Non-detent
- L = Low Torque (available with 0, 4, 5, 9 pushbutton only)
- M = Medium Torque (available with 0, 5, 9 pushbutton only)
- H = High Torque (available with 0, 9 pushbutton only)

Termination

- C = .050 Center Ribbon Cable with Connector
- S = .050 Center Ribbon Cable with .100 Stripped End
- P = .050 Center Pins with .185 Length
- CH = .100 Center Ribbon Cable with Connector
- SH = .100 Center Ribbon Cable with .100 Stripped End
- PH = .100 Center Pins with .230 Length

Cable Length

- 020 thru 250 in 1/2 inch increments
- 3 Digits are eliminated if pinned termination is required.
- Examples:
 - 060 = 6.0 inch cable
 - 135 = 13.5 inch cable

Pushbutton Option

- 0 = NO PUSHBUTTON
- 9 = 950 Grams
- 5 = 510 Grams
- 4 = 400 Grams
- 3 = 300 Grams
- 2 = 200 Grams

62SXX-XX-XXXX

Optical and Mechanical Encoders