



70G-ODC/OAC 70-ODC/OAC 70M-ODC/OAC

FEATURES

- SPST, Normally Open
- UL Recognized, CSA Certified (see Engineering Information)
- 1500 Vac Optical Isolation
- G5 Modules Provide Replaceable 5 x 20 mm Glass Fuse
- Built-in Status LED
- Lifetime Warranty
- Switch AC or DC with the Same Module
- No Off-State Leakage Current

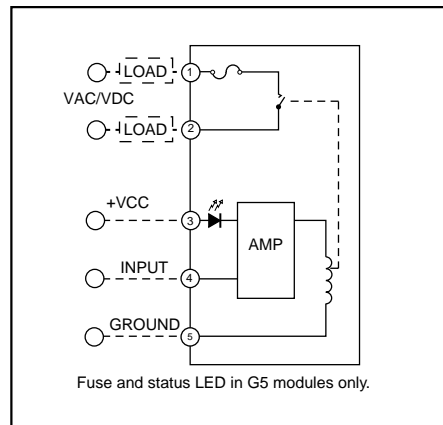
DIMENSIONS

For complete dimensional drawings, see pages H-4 or H-5.

FUSES

G5 Fuses are 5 Amp Littelfuse part number 217005 or equivalent.

CIRCUITRY



SPECIFICATIONS BY PACKAGE STYLE

Package Style		Std (70-)	Mini (70M-)	G5 (70G-)
Specifications	Units			
Isolation Voltage ¹	Vrms	1500	1500	1500
Vibration ²		MIL-STD-202	MIL-STD-202	MIL-STD-202
Mechanical Shock ³		MIL-STD-202	MIL-STD-202	MIL-STD-202
Storage Temp. Range	°C	-40 to 125	-40 to 125	-40 to 125
Operating Temp. Range	°C	-20 to 85	-20 to 85	-20 to 85

¹ Field to logic and channel-to-channel if Grayhill racks are used.
² MIL-STD-202, Method 204, 20 Gs, 10-2000 Hz or IEC68-2-6, 0.15 mm/sec², 10-150 Hz.
³ MIL-STD-202, Method 213, Condition F, 1500 Gs or IEC68-2-27, 11 mS, 15 gs.

SPECIFICATIONS BY PART NUMBER
Standard and Miniature Modules

Type/Function		Grayhill Part Number		
Miniature, Normally Open		70M-ODC5R		70M-ODC24R
Standard, Normally Open		70-ODC5R	70-OAC5RLY	70-ODC24R
Specifications	Units			
Maximum Line Voltage	Vdc/Vac	100/120	110/250	100/120
Load Voltage Range	Vdc/Vac	0-100/0-120	0-110/0-250	0-100/0-120
Maximum Contact Rating	W	10	90	10
Maximum Switching Current ¹	A	0.5	3.0	0.5
Maximum Carry Current ¹	A	1.0	5.0	1.0
Minimum Life Expectancy				
@ 10 Vdc/10 mA	Cycles	200 x 10 ⁶	—	200 x 10 ⁶
@ 48 Vdc/100 mA	Cycles	500 x 10 ³	—	500 x 10 ³
@ 120 Vac/80 mA	Cycles	500 x 10 ³	—	500 x 10 ³
@ 30 Vdc or 230 Vac/3A	Cycles	—	100 x 10 ⁶	—
Maximum Contact Resistance	mΩ	250	250	250
Maximum Off-State Leakage	mA	.002	.002	.002
Maximum Turn-On Time ²	mSec	1	11	1
Maximum Turn-Off Time ²	mSec	1	11	1
Nominal Logic Voltage (Vcc)	Vdc	5	5	24
Logic Voltage Range	Vdc	4.8-6.0	4.8-6.0	20-30
Maximum Logic Supply Current				
@ Nominal Vcc	mA	10	26	16
Nominal Input Resistance (Rx)	Ω	500	200	1700
Minimum Drop Out Voltage	Vdc	2.5	4.8	23
Maximum Reverse Logic Voltage	Vdc	-5	-5	-5

G5 Modules

Type/Function		Grayhill Part Number		
G5 Fusible, Normally Open		70G-ODC5R	70G-OAC5RLY	70G-ODC24R
Specifications	Units			
Maximum Line Voltage	Vdc/Vac	100/120	110/250	100/120
Load Voltage Range	Vdc/Vac	0-100/0-120	0-110/0-250	0-100/0-120
Maximum Contact Rating	W	10	90	10
Maximum Switching Current ¹	A	0.5	3.0	0.5
Maximum Carry Current ¹	A	1.0	5.0	1.0
Minimum Life Expectancy				
@ 10 Vdc/10 mA	Cycles	200 x 10 ⁶	—	200 x 10 ⁶
@ 48 Vdc/100 mA	Cycles	500 x 10 ³	—	500 x 10 ³
@ 120 Vac/80 mA	Cycles	500 x 10 ³	—	500 x 10 ³
@ 30 Vdc or 230 Vac/3A	Cycles	—	100 x 10 ⁶	—
Maximum Contact Resistance	mΩ	250	250	250
Maximum Turn-On Time ²	mSec	1	11	1
Maximum Turn-Off Time ²	mSec	1	11	1
Max. Off-State Leakage @ Max. Line	mA	.002	.002	.002
Nominal Logic Voltage (Vcc)	Vdc	5	5	24
Logic Voltage Range	Vdc	4.8-6.0	4.8-6.0	18-32
Max. Logic Supply Current				
@ Nominal Vcc	mA	10	26	23
Nominal Input Resistance (Rx)	Ω	500	200	1200
Minimum Drop Out Voltage	Vdc	1	1	23

¹ Inductive loads require diode suppression or RC network.

² Times include debounce.

Available from your local Grayhill Distributors

For prices and discounts, contact a local Sales Office, an authorized local Distributor, or Grayhill.