

PART No.	TYPE	NOTE
HDR-EC ( ) FDTG2+		
HDR-EC ( ) FDTG2-SL+	SCREW LOCK (PANEL MOUNT)	SEE NOTE. #4
HDR-EC ( ) FDTG2-SLD+	SCREW LOCK TYPE	
HDR-EC ( ) FDTG2-SLE+	LATCH LOCK TYPE	
HDR-EC ( ) FDTG2-SLH+	LATCH LOCK (PANEL MOUNT)	SEE NOTE. #4

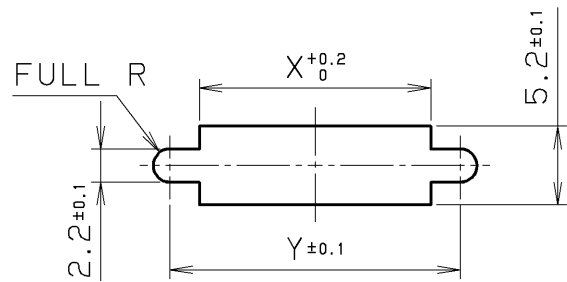
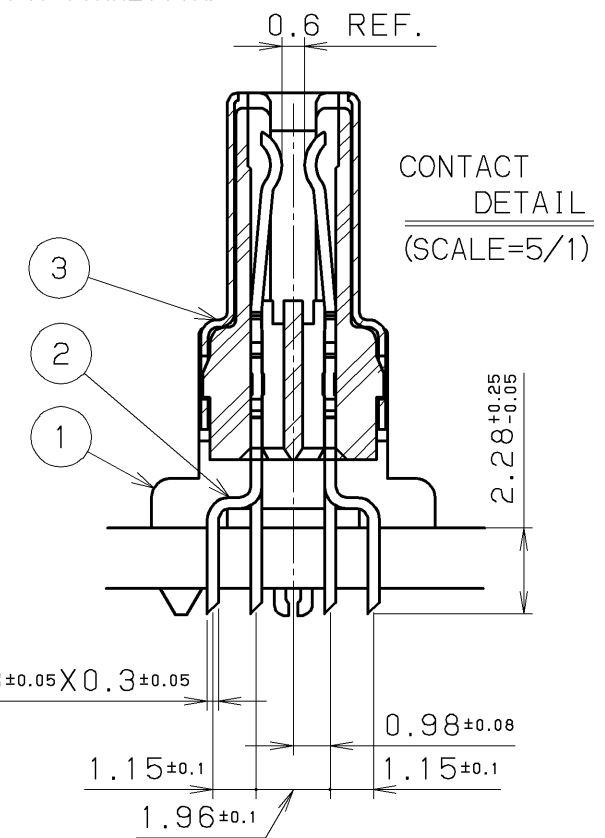
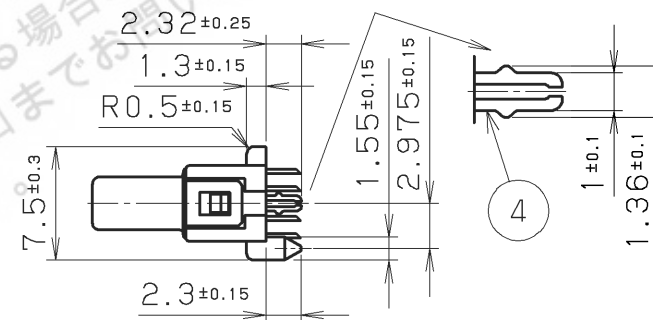
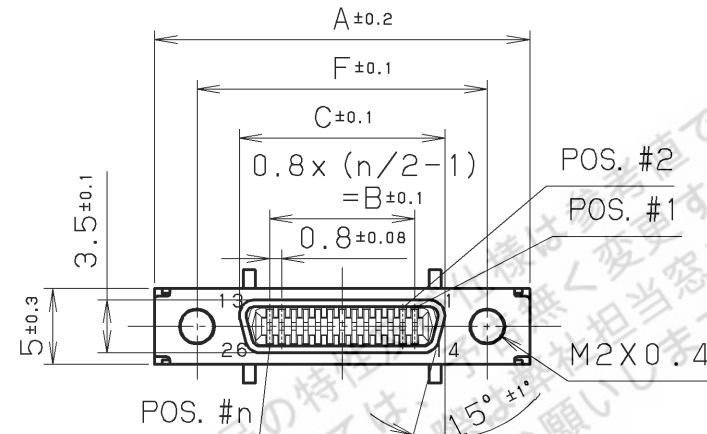
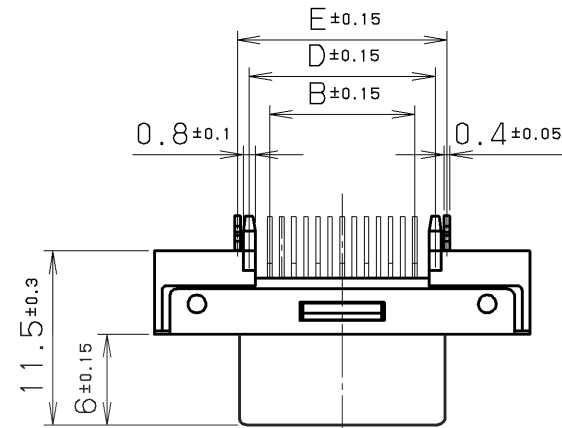
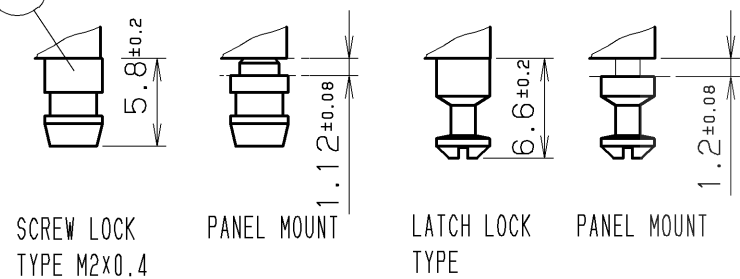
n (NO. OF POS.)	A	B	C	D	E	F
26	24.8	0.8x12=9.6	13.6	12.3	13.85	19.2
14	20	0.8x6=4.8	8.8	7.5	9.05	14.4

DIMENSIONS

NOTE

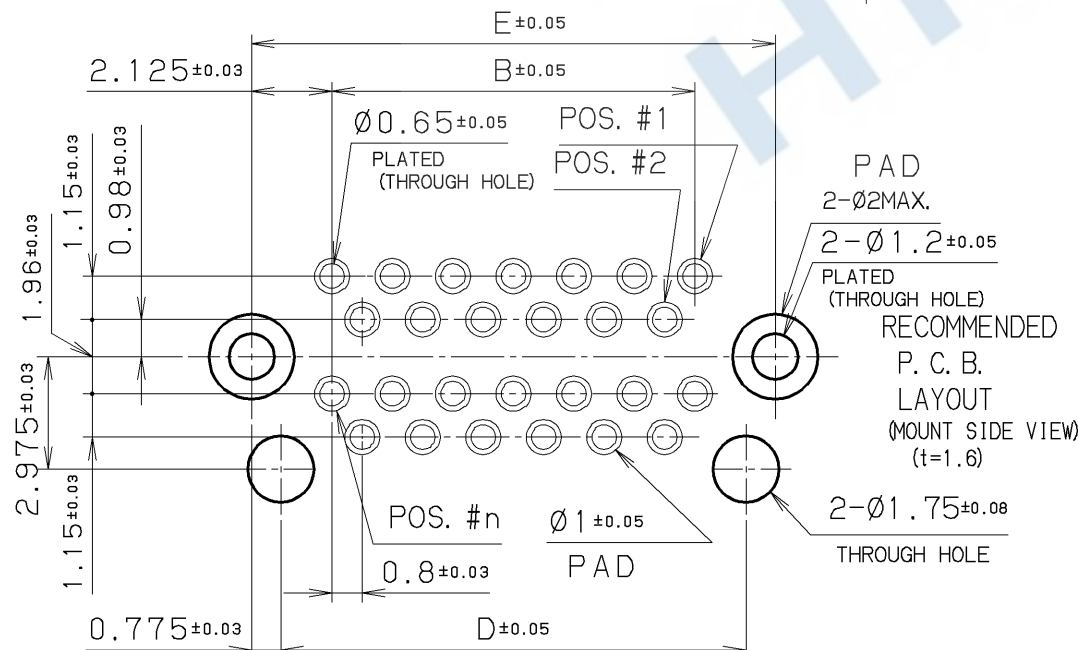
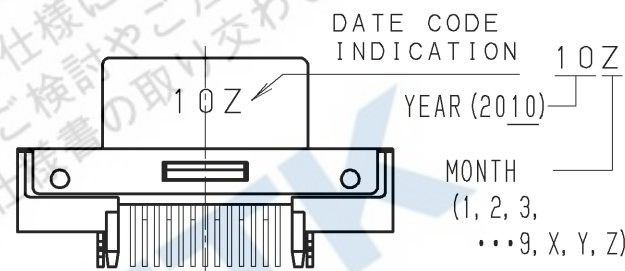
- CONTACT PLATING  
 MATING AREA : 0.76 MICRO METERS MINIMUM GOLD PLATING  
 TERMINATION AREA : 0.05 MICRO METERS GOLD PLATING  
 UNDERPLATING : 1.3 MICRO METERS MINIMUM NICKEL PLATING
- MATING CONNECTOR  
 HDR-E ( ) MAG ( ) +  
 HDR-E ( ) MSG ( ) +
- SPECIFICATION  
 RATED CURRENT 0.5A  
 RATED VOLTAGE 125V AC (r. m. s.)
- TWO LOCK SCREWS ARE SUPPLIED WITH A CONNECTOR.

5 LOCK SCREWS



RECOMMENDED PANEL CUT-OUT DIMENSIONS

No. of contacts	X	Y
14	10.5	14.4
26	15.3	19.2



5	LOCK SCREW	STEEL	2	NICKEL PLATING	
4	BOARD LOCK PIN	PHOSPHOR BRONZE	2	TIN PLATING	
3	SHELL	STEEL	1	NICKEL PLATING	
2	CONTACT	PHOSPHOR BRONZE	n	SEE NOTE #1	
1	INSULATOR	PA9T	1		UL94V-0 BLACK

LTR.	DATE	BY	REV.	DESCRIPT	No.	PART NAME	MATERIAL	QTY	FINISH	NOTE
△										
△	July-23 2010	Y. K	Revise							
△	Aug. 1 2007	Y. K	Revise							
DATE		SCALE		UNIT		3RD. A. P				
Apr. 26. 2004		2 / 1		mm (INCH)		HONDA TSUSHIN KOGYO CO., LTD.				
APP. DATE & REV.						NAME		0.8mm SPACING FEMALE CONNECTOR (THROUGH HOLE TYPE)		
DR.		DE.		CHK.		CHK.		APP.		PART NO. HDR-EC ( ) FDTG2- ( ) +
Y. KATO		Y. KATO		—		C. NUNOKAWA		T. NAKANO		
										REV. 2B