

DETAIL A  
(SCALE=5/1)

POS. #2  
POS. #1

EDGE OF P. C. BOARD

SEE DETAIL A

2.25±0.05

2.625±0.05

2.775±0.05

26.8±0.05  
PLATED (THROUGH HOLE)  
68-Ø0.65±0.05

DRILL HOLE  
Ø0.7 ±0.05  
Ø1 ±0.05

DRILL HOLE  
Ø1.25±0.05

POS. #68

Ø2.25±0.1

PAD

PAD

±0.03

1.15

1.2±0.03

±0.03

1.15

±0.03

Ø1.75±0.08

THROUGH HOLE

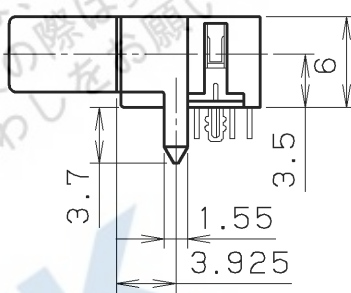
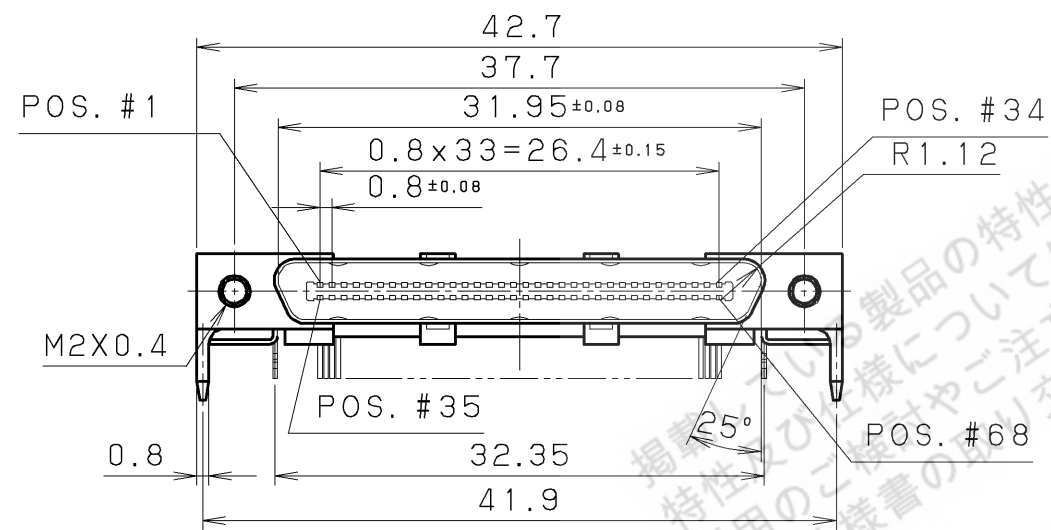
32.35±0.05

41.9±0.05

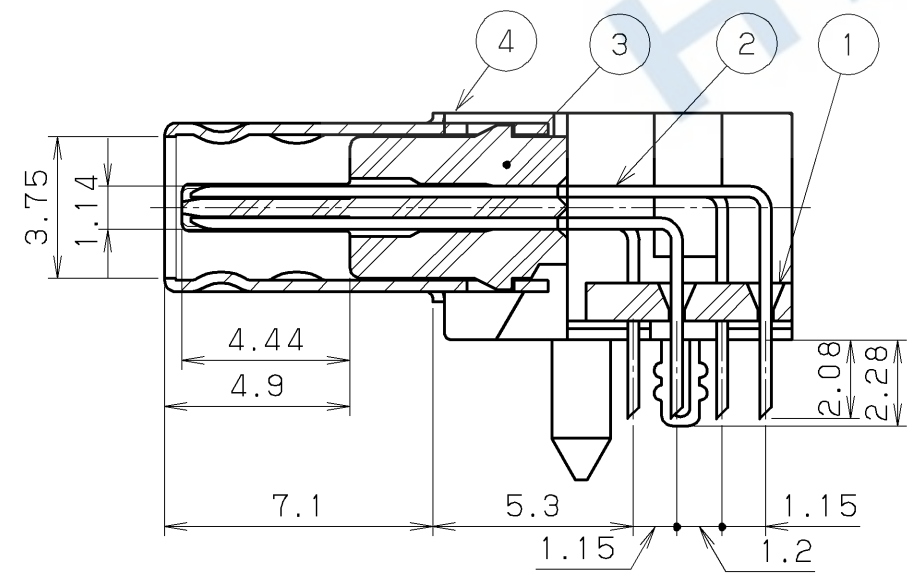
RECOMMENDED P. C. B. LAYOUT

(MOUNT SIDE VIEW)

(SCALE=5/1)



NOTE 1. CONTACT PLATING  
CONTACT AREA: GOLD 0.76µm MIN.  
TERMINAL AREA: GOLD 0.05µm  
ALL OVER NICKEL UNDERPLATED.



CONTACT DETALE (5/1)

5	HOLD DOWN	PHOSPHOR BRONZE	2	NICKEL PLATING	
4	SHELL	STEEL	1	NICKEL PLATING	
3	INSULATOR	PA9T	1		UL94V-0 BLACK
2	CONTACT	PHOSPHOR BRONZE	68	SEE NOTE 1	
1	BRACKET	PPS	1		UL94V-0 BLACK

LTR.	DATE	BY	REV.	DESCRIPT	No.	PART NAME	MATERIAL	QTY	FINISH	NOTE
	DATE			SCALE		UNIT				
	Dec. 9. 2005			2 / 1		mm (INCH)				3RD. A. P
	APP. DATE&REV.									
	DR.	DE.	CHK.	CHK.	APP.	NAME		0.8mm SPACING 68POS. R/A MALE CONNECTOR		
	Y. KATO	Y. KATO			H. EBIHARA	PART NO.	HDRA-EC68LMDT+			REV.

HONDA TSUSHIN KOGYO CO., LTD.