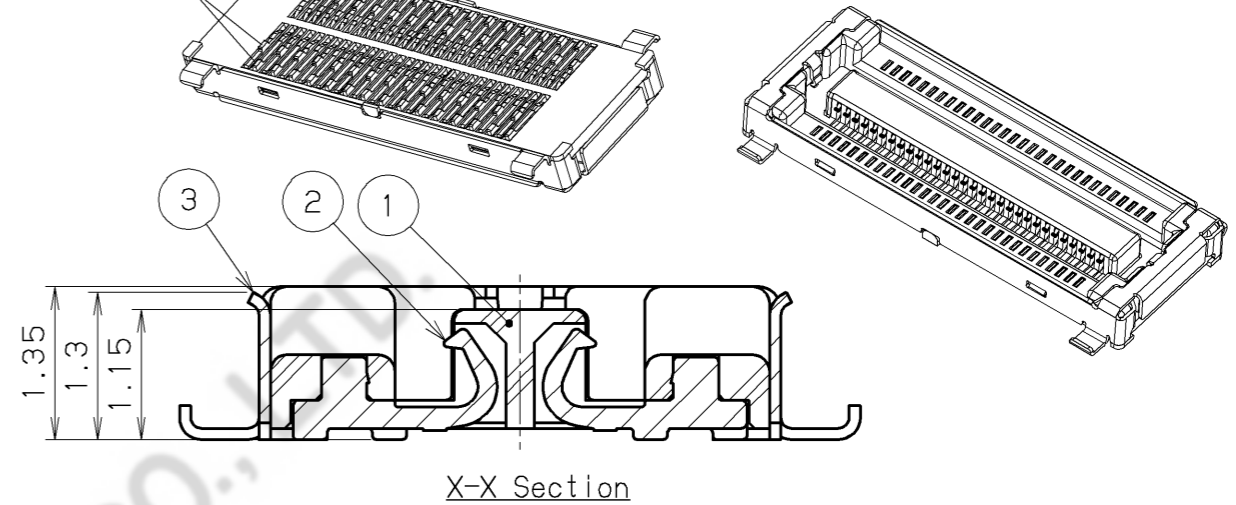
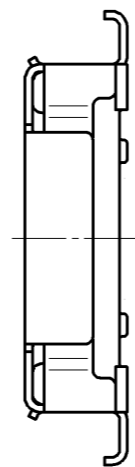
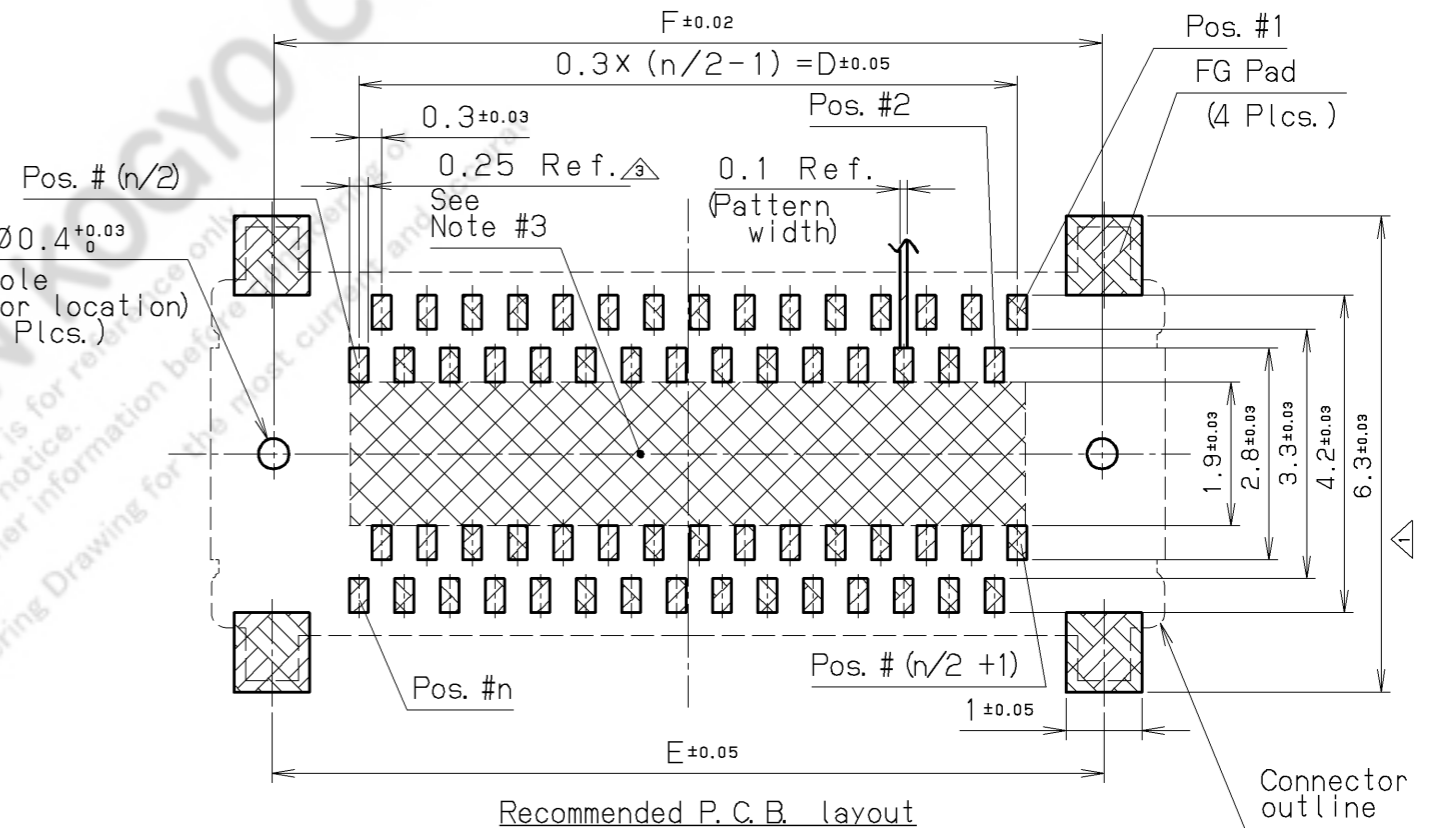


Terminal of contact layout is staggered



X-X Section



Recommended P.C.B. layout

Note 1. Contact Plating  
 Contact area: Gold flash  
 Terminal area: Gold flash  
 Underplating: Nickel

2. Mating Connector  
 P/N: LPY- ( ) (P) SMY1

3. Trace pattern in the [X] area must be resisted.  
 4. Contact and Hold down co-planarity is 0.1mm Max.

Table-1

Part Number	A	B	C	D	E	F	(No. of Pos.)
LPY-EA40SFY	9.6	8.0	6.6	5.7	8.0	7.95	40
LPY-EA60SFY	12.6	11.0	9.6	8.7	11.0	10.95	60
LPY-EA80SFY	15.6	14.0	12.6	11.7	14.0	13.95	80

Rev.	Date	By	Rev. Descript	No.	Part Name	Material	Qty	Finish	Note
△4	Sep.01 2006	K. K	Note #3 changed and repair space was deleted.						
△3	Aug.19 2005	K. K	Dimension changed.	3	Shell	Phosphor Bronze	1	TIN	
△2	Oct.28 2004	K. Y	Insulator shape changed.	2	Contact	Phosphor Bronze	No. of pos.	See Note #1	
△1	Aug.27 2004	K. Y	New Rev. Repair space added.	1	Insulator	LCP (GF)	1		U.94V-0 Black

改版 LTR.	年月日 DATE	変更者 BY	変更内容 REV. DESCRIPT	番号 No.	部品名称 PART NAME	材質 MATERIAL	個数 QTY	処 理 FINISH	備 考 NOTE
年月日 DATE	尺度 SCALE	単位 UNIT	3 角 法	本多通信工業株式会社 HONDA TSUSHIN KOGYO CO., LTD.					
Dec.19 (2003)	10/1	mm (INCH)	3RD. A. P	製 國 DR.	設 計 DE.	検 査 CHK.	承 認 APP.	名 称 NAME	0.3mm pitch vertical stacking receptacle connector with Shell (SMT termination type, stack height: 1.5mm)
K. KUWANA	K. KUWANA	K. TAKAHASHI		K. KASAI	製 番 PART NO.	LPY-EA ( ) SFY		REV.	4 I

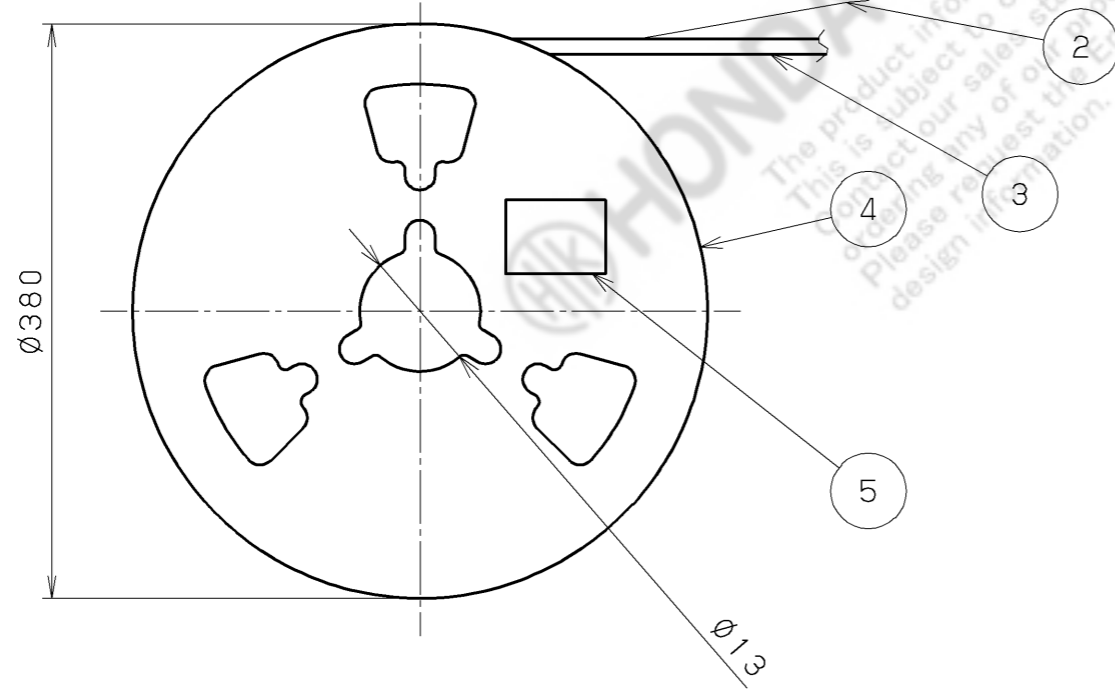
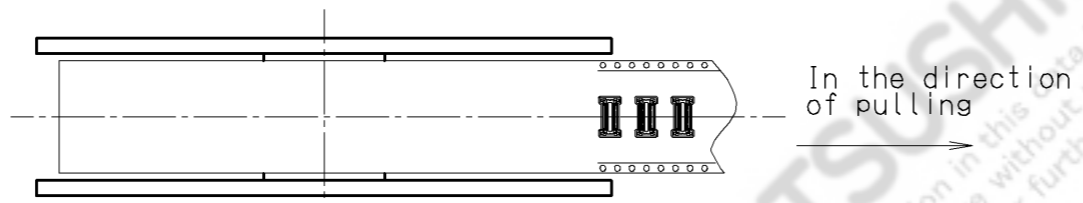
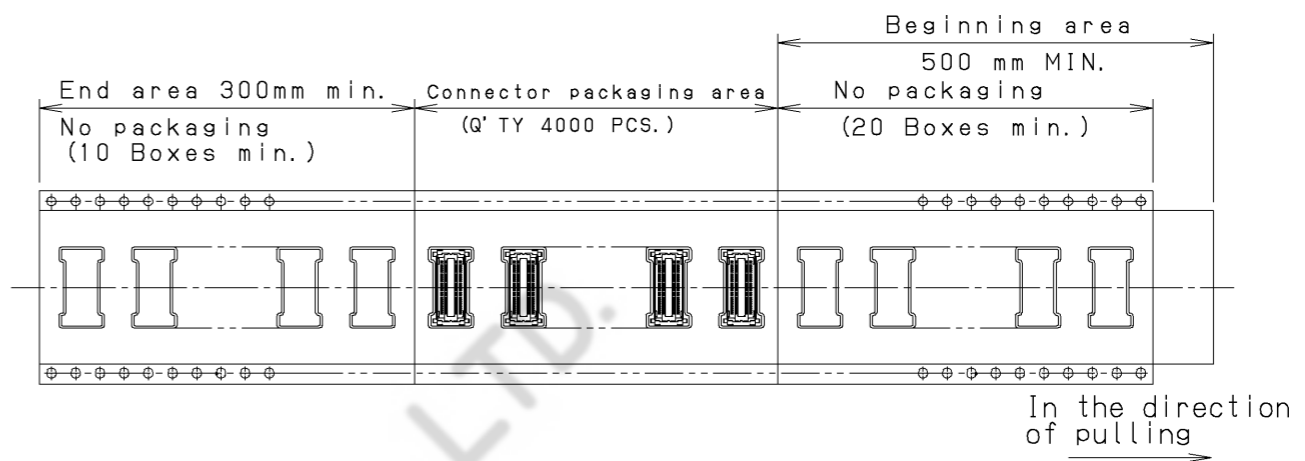
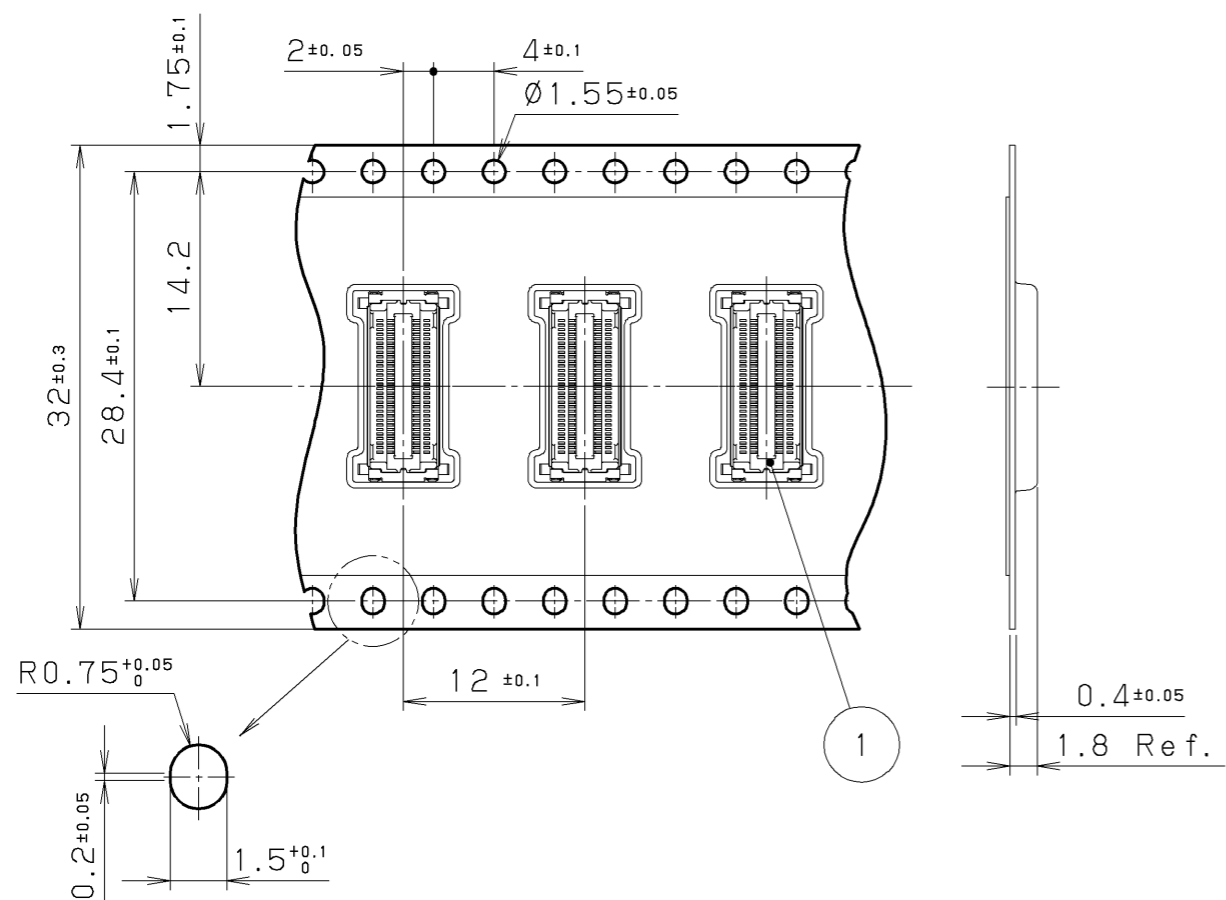


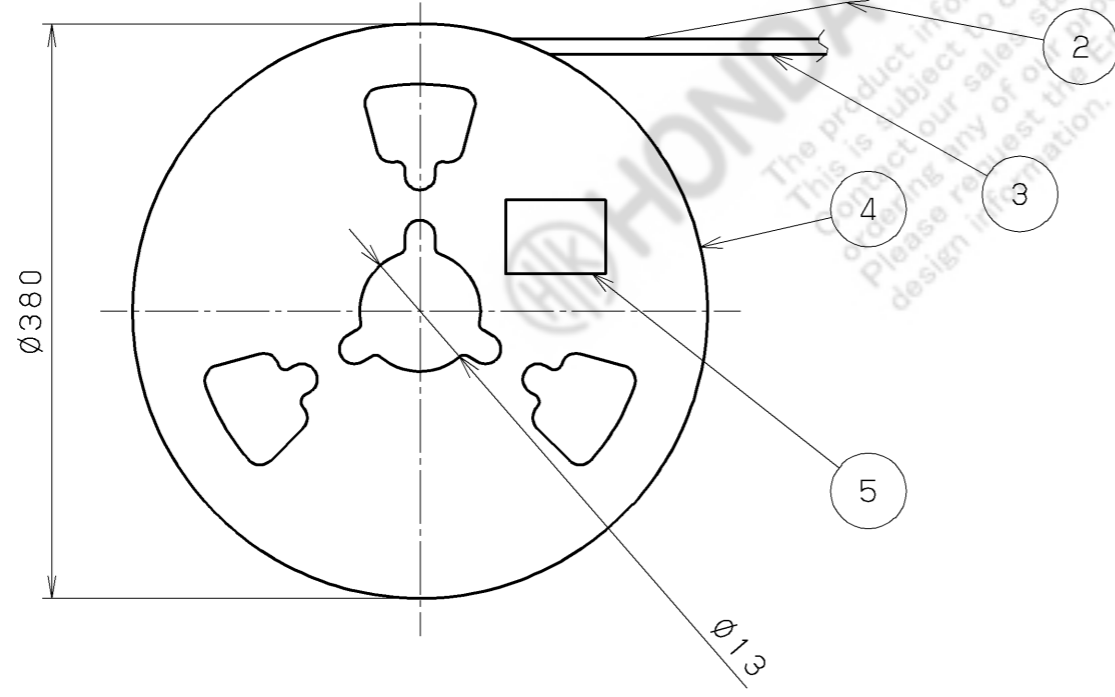
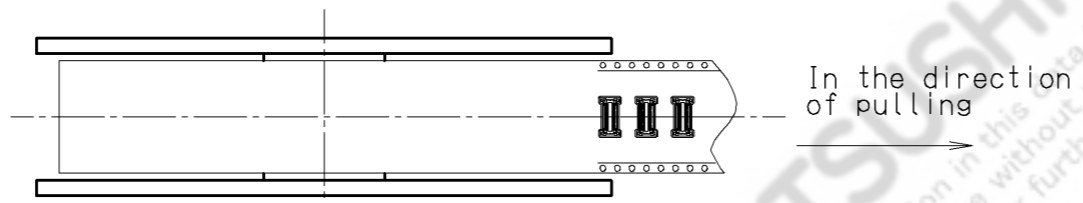
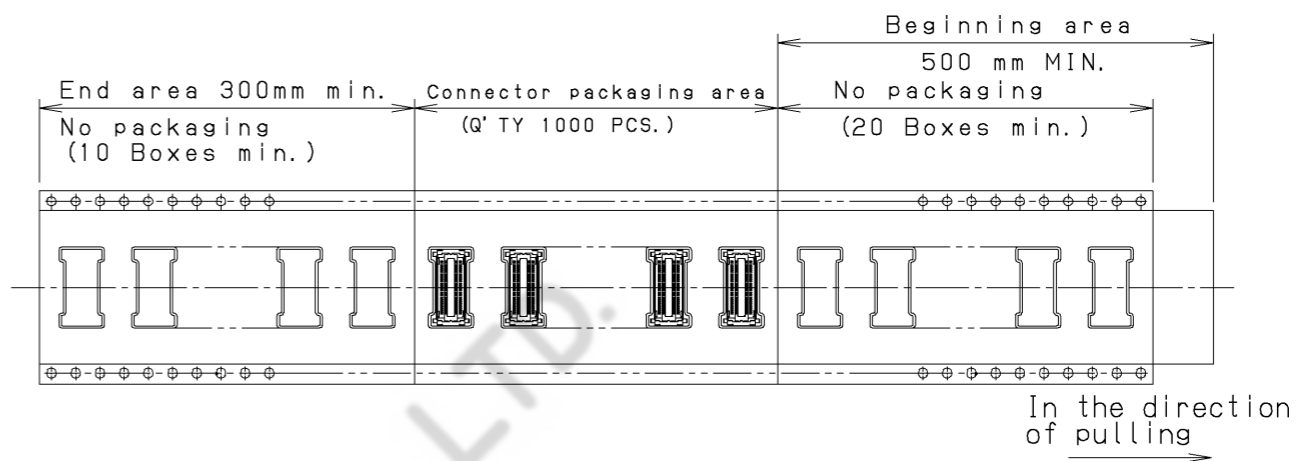
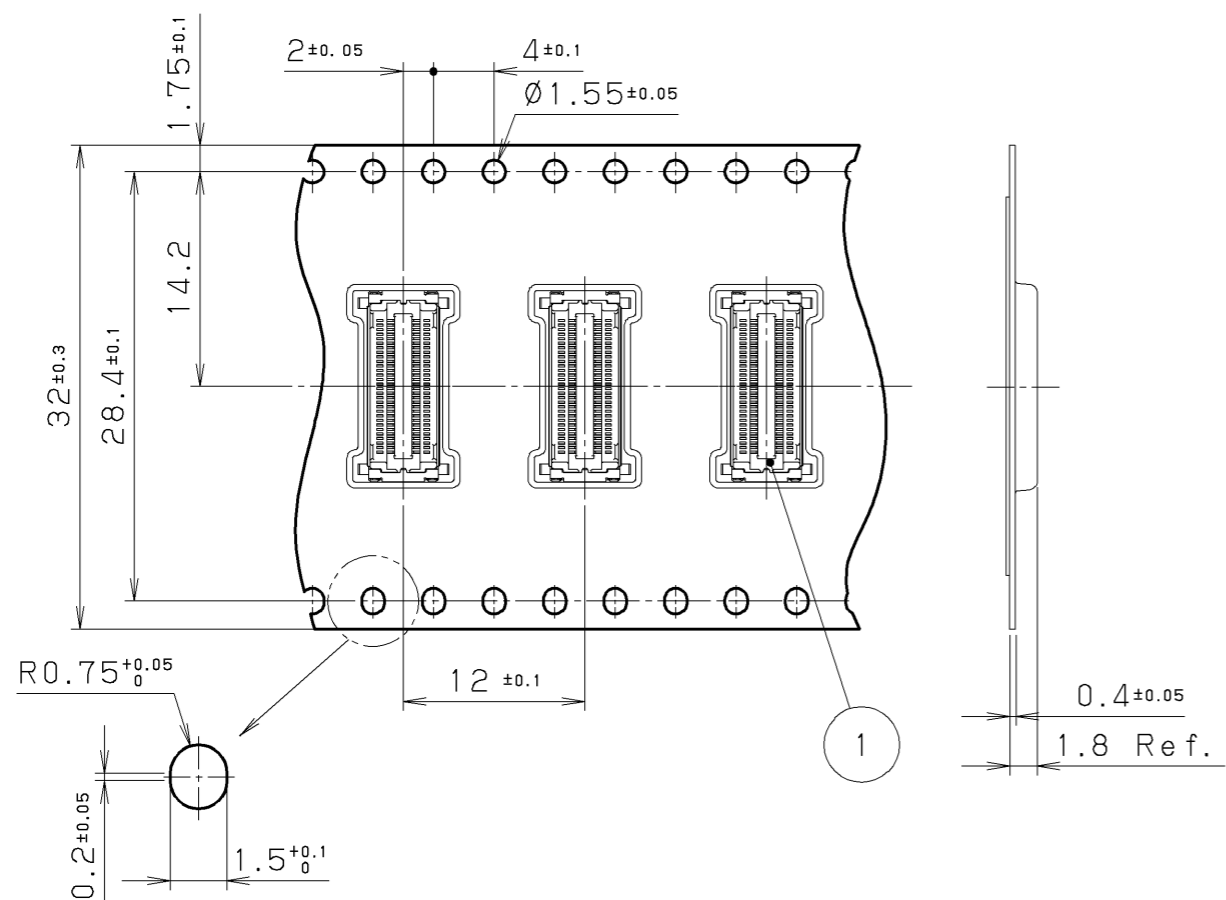
Table-1

Part Number	Connector Part Number	No. of Pos.
LPY-EA40SFY-TP	LPY-EA40SFY	40
LPY-EA60SFY-TP	LPY-EA60SFY	60
LPY-EA80SFY-TP	LPY-EA80SFY	80

RoHS compliant

5	Label	Paper	1	—	—
4	Reel	Paper	1	—	—
3	Embossed tape	A PET	1	—	—
2	Cover tape	P.E.	1	—	—
1	Connector	—	4000	—	See Table#1

改版 LTR.	年月日 DATE	変更者 BY	変更内容 REV. DESCRIPT	番号 No.	部品名称 PART NAME	材質 MATERIAL	個数 QTY	処理 FINISH	備考 NOTE
	Oct.19 2007	K. K	Description added	1	Connector	—	4000	—	See Table#1
年月日 DATE	尺度 SCALE	単位 UNIT	3角法	本多通信工業株式会社 HONDA TSUSHIN KOGYO CO., LTD.					
JULY.29 (2005)	×	mm (INCH)	3RD. A. P	製 名	0.3mm Pitch vertical shielded stacking receptacle connector with embossed tape package				
DR.	DE.	CHK.	CHK.	承認 APP.	名 稱	NAME			
K. KUWANA	K. KUWANA	K. TAKAHASHI	—	K. KASAI	製 番	PART NO. LPY-EA( ) SFY-TP			
									Rev. 1A



△Table-1

Part Number	Connector Part Number	No. of Pos.
LPY-EA40SFY-TPA	LPY-EA40SFY	40
LPY-EA60SFY-TPA	LPY-EA60SFY	60
LPY-EA80SFY-TPA	LPY-EA80SFY	80

△  
RoHS compliant

△				5	Label	Paper	1		
△				4	Reel	Paper	1		
△				3	Embossed tape	A PET	1		
△	Oct.19 2007	K. K	Description added	2	Cover tape	P. E.	1		
△	May.10 2007	K. K	Change QTY and Table1.	1	Connector		1000		See Table#1

改版 LTR.	年月日 DATE	変更者 BY	変更内容 REV. DESCRIPT	番号 No.	部品名称 PART NAME	材質 MATERIAL	個数 QTY	処理 FINISH	備考 NOTE
	OCT.17 (2005)								
製 DR.	設 DE.	計 CHK.	検 CHK.	認 APP.	本多通信工業株式会社 HONDA TSUSHIN KOGYO CO., LTD. 名称 NAME 0.3mm Pitch vertical shielded stacking receptacle connector with embossed tape package 製番 PART NO. LPY-EA( ) SFY-TPA				
K. KUWANA	K. KUWANA	K. TAKAHASHI		K. KASAI					Rev. 2B