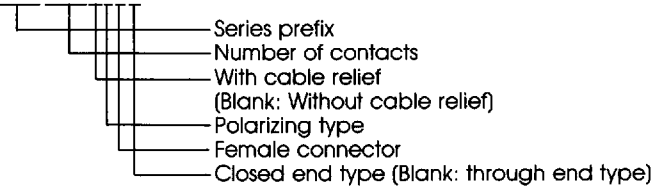
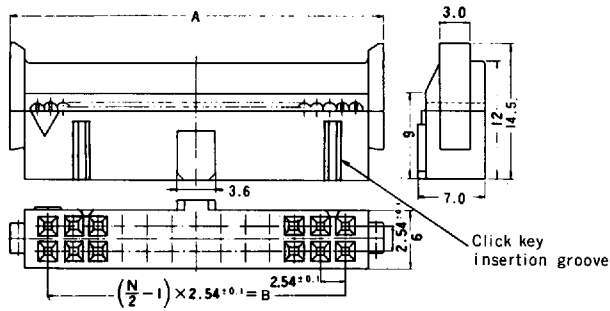


# POLARIZING TYPE FEMALE CONNECTOR FOR FLAT CABLE

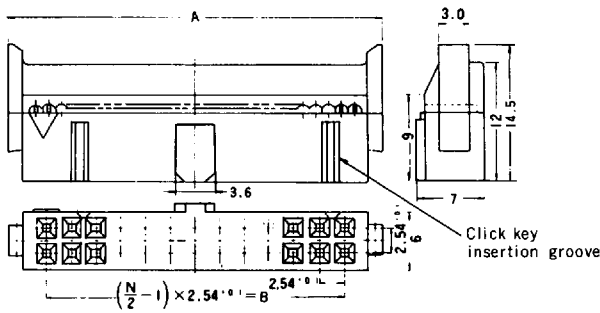
Part No. (Ordering No.)  
MFC-( )RPF



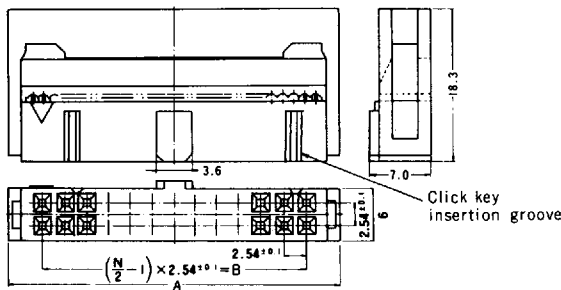
## MFC-( )PF



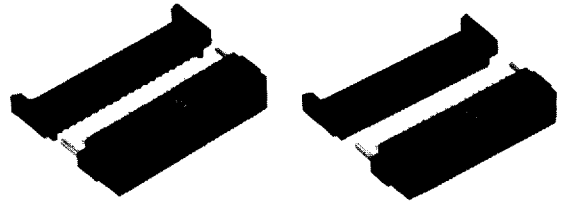
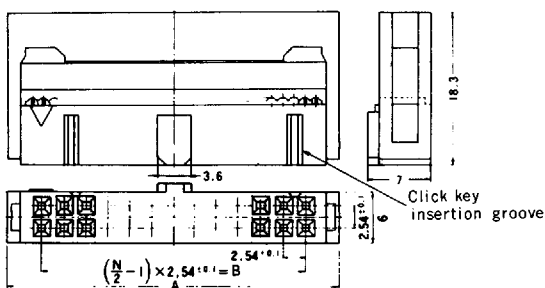
## MFC-( )PFC



## MFC-( )RPF



## MFC-( )RPFC



MPC-20PF

MFC-20PFC

Part No.	A	B
MFC-10PF, PFV, PFC, PFCV	17.27	10.16
* MFC-14PF, PFV, PFC, PFCV	22.4	15.24
MFC-16PF, PFV, PFC, PFCV	24.89	17.78
MFC-20PF, PFV, PFC, PFCV	30.0	22.86
MFC-26PF, PFV, PFC, PFCV	37.6	30.48
MFC-30PF, PFV, PFC, PFCV	42.7	35.56
MFC-34PF, PFV, PFC, PFCV	47.8	40.64
MFC-40PF, PFV, PFC, PFCV	55.4	48.26
MFC-50PF, PFV, PFC, PFCV	68.1	60.96
* MFC-60PF, PFV, PFC, PFCV	80.8	73.66
* MFC-64PF, PFV, PFC, PFCV	85.9	78.74

\* : planning stage



MFC-20RPF

MFC-20RPFC

Part No.	A	B
MFC-10RPF, RPFV, RPFC, RPFCV	17.27	10.16
* MFC-14RPF, RPFV, RPFC, RPFCV	22.4	15.24
MFC-16RPF, RPFV, RPFC, RPFCV	24.89	17.78
MFC-20RPF, RPFV, RPFC, RPFCV	30.0	22.86
MFC-26RPF, RPFV, RPFC, RPFCV	37.6	30.48
MFC-30RPF, RPFV, RPFC, RPFCV	42.7	35.56
MFC-34RPF, RPFV, RPFC, RPFCV	47.8	40.64
MFC-40RPF, RPFV, RPFC, RPFCV	55.4	48.26
MFC-50RPF, RPFV, RPFC, RPFCV	68.1	60.96
* MFC-60RPF, RPFV, RPFC, RPFCV	80.8	73.66
* MFC-64RPF, RPFV, RPFC, RPFCV	85.9	78.74

\* : planning stage

10-contacts connector has no groove for click key insertion.

# FEMALE CONNECTOR FOR FLAT CABLE

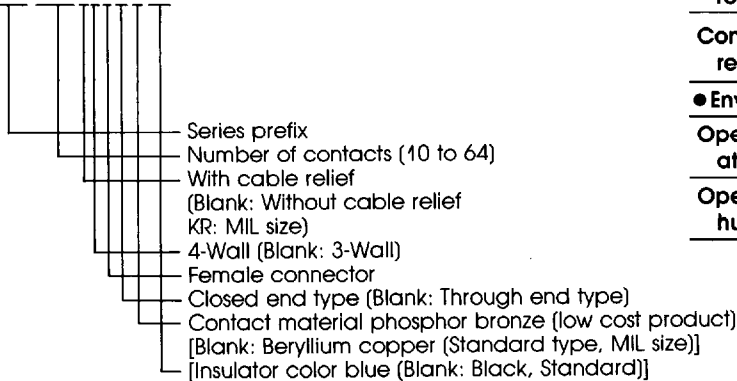
The MFC series female connectors are highly reliable connectors with 2.54 mm grid and accept terminals of  $\square 0.64$  mm. It is easy to handle and serves to enhance equipment reliability and cost reduction. This series of connectors are available in types shown on the next page and can be selected for your application depending on the best combination with the male connector.

## Features

- All contacts can be connected by one action using the assembling tool.
- "U" contact connection has significantly improved reliability and eliminated the possibility of erroneous wiring, enabling reduction of labor cost.
- Employment of the locking mechanism makes the connector more reliable against vibration and shock.
- Combination with male connectors adding a click key prevents miss insertion.
- Female connectors for flat cables are available in two types: closed end type and through end type. The closed end type connector is used to the cable terminal. (The cut end of the cable is covered by the housing.) The through end type connector permits pass-through of cable.

## Part No.

MFC-( )RPFVCV(A)



## Specifications

### ● Material

Insulator	Glass-filled PBT resin UL94V-0 black (blue)	
Cable relief	PBT resin UL94V-0 black (blue)	
Contact	3-Wall, 4-Wall and MIL size products	Beryllium copper
	Low cost product	Phosphor bronze

### ● Plating

Contact	Gold over nickel
---------	------------------

### ● Performance

Rated voltage	250 V AC (r.m.s.)	
Rated current	1 A	
Withstand voltage	800 V AC (r.m.s.) for one minute	
Insulation resistance	1000 M $\Omega$ at 500 V DC	
Contact resistance	Beryllium copper	15 m $\Omega$ or less
	Phosphor bronze	20 m $\Omega$ or less

### ● Environment

Operating temperature range	-55°C to 105°C
Operating humidity range	Less than 90% RH