

Crimping type male insulator for panel
MRP-()M01

Rectangular connector

For panel

Crimping

RoHS

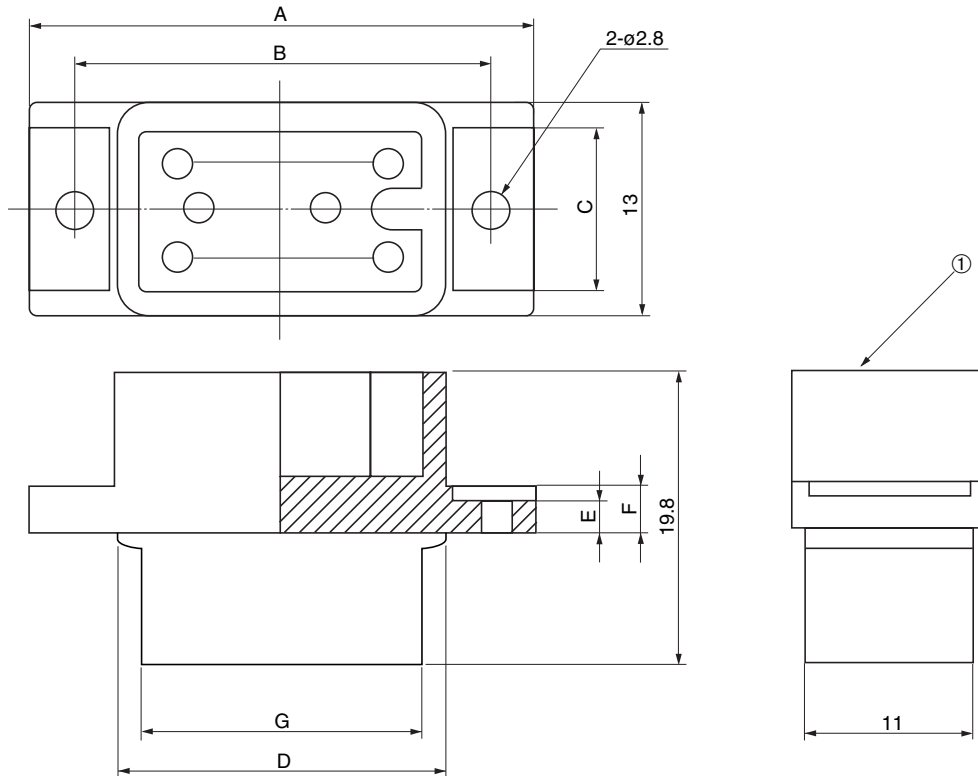


● Configuration of product Part No.

MRP- () M01

① ② ③

- ① Series name
- ② No. of contacts: 8, 16, 20, 25, 34 or 50
- ③ Male insulator



● Dimensions

Part No.	A	B	C	D	E	F	G
MRP-8M01	22.4	17.4	5	11.9	2.8	3.4	—
MRP-16M01	30.2	25.2		19.7			21.3
MRP-20M01	32.8	27.8		22.3			
MRP-25M01	38.0	33.0	10	27.5	2.4	3	—
MRP-34M01	45.8	40.8		35.3			
MRP-50M01	61.4	56.4		50.9			

● Components

- ① Insulator

Applicable contacts: MRP-M1() ()

Applicable case: MR-()L+, MR-()LW+

Mating connectors: MR and MRH series female connectors